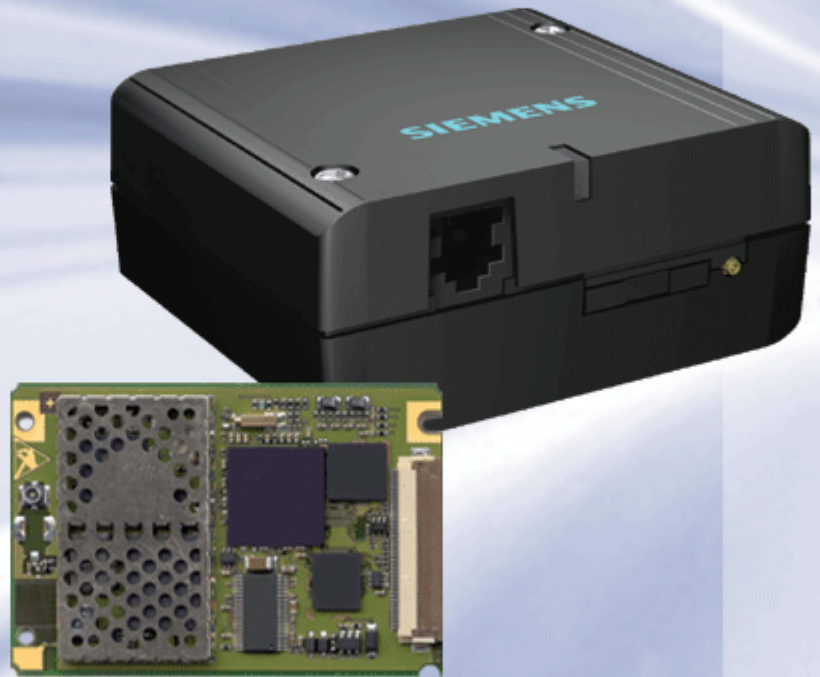


SIEMENS
mobile



MC35i MC35i Terminal

Siemens Cellular Engine

Version: 01.03
DocId: MC35i_ATC_V01.03

AT Command Set

Document Name: **MC35i AT Command Set**

Version: **01.03**

Date: **May 7, 2004**

DocId: **MC35i_ATC_V01.03**

Status **Confidential / Released**

General Notes

Product is deemed accepted by recipient and is provided without interface to recipient's products. The documentation and/or product are provided for testing, evaluation, integration and information purposes. The documentation and/or product are provided on an "as is" basis only and may contain deficiencies or inadequacies. The documentation and/or product are provided without warranty of any kind, express or implied. To the maximum extent permitted by applicable law, Siemens further disclaims all warranties, including without limitation any implied warranties of merchantability, completeness, fitness for a particular purpose and non-infringement of third-party rights. The entire risk arising out of the use or performance of the product and documentation remains with recipient. This product is not intended for use in life support appliances, devices or systems where a malfunction of the product can reasonably be expected to result in personal injury. Applications incorporating the described product must be designed to be in accordance with the technical specifications provided in these guidelines. Failure to comply with any of the required procedures can result in malfunctions or serious discrepancies in results. Furthermore, all safety instructions regarding the use of mobile technical systems, including GSM products, which also apply to cellular phones must be followed. Siemens or its suppliers shall, regardless of any legal theory upon which the claim is based, not be liable for any consequential, incidental, direct, indirect, punitive or other damages whatsoever (including, without limitation, damages for loss of business profits, business interruption, loss of business information or data, or other pecuniary loss) arising out the use of or inability to use the documentation and/or product, even if Siemens has been advised of the possibility of such damages. The foregoing limitations of liability shall not apply in case of mandatory liability, e.g. under the German Product Liability Act, in case of intent, gross negligence, injury of life, body or health, or breach of a condition which goes to the root of the contract. However, claims for damages arising from a breach of a condition, which goes to the root of the contract, shall be limited to the foreseeable damage, which is intrinsic to the contract, unless caused by intent or gross negligence or based on liability for injury of life, body or health. The above provision does not imply a change on the burden of proof to the detriment of the recipient. Subject to change without notice at any time. The interpretation of this general note shall be governed and construed according to German law without reference to any other substantive law.

Copyright

Transmittal, reproduction, dissemination and/or editing of this document as well as utilization of its contents and communication thereof to others without express authorization are prohibited. Offenders will be held liable for payment of damages. All rights created by patent grant or registration of a utility model or design patent are reserved.

Copyright © Siemens AG May 7, 2004

Contents

1.	Introduction.....	13
1.1	Scope of the document	13
1.2	Related documents	14
1.3	Document conventions.....	15
1.3.1	Quick reference table	15
1.3.2	Superscript notation for parameters and values.....	16
1.4	AT Command Syntax	17
1.4.1	Using parameters	17
1.4.2	Combining AT commands on the same command line.....	18
1.5	Supported character sets	19
1.5.1	GSM alphabet tables and UCS2 character values.....	21
1.5.2	UCS2 and GSM data coding and conversion for SMS text mode.....	23
1.5.2.1	Implementing output of SIM data to the Terminal (direction TA to TE).....	23
1.5.2.2	Implementing input of Terminal data to SIM (direction TE to TA).....	24
1.6	Serial Interface Flow Control.....	26
1.6.1	Software Flow Control (XON/OFF Handshake)	26
1.6.2	Hardware Flow Control (RTS/CTS Handshake).....	26
1.7	Unsolicited Result Code Presentation.....	27
1.7.1	Communication between Customer Application and MC35i	27
1.8	Errors and Messages	28
2.	Configuration Commands.....	29
2.1	AT&F Set all current parameters to manufacturer defaults.....	29
2.2	AT&V Display current configuration	30
2.2.1	AT&V responses	30
2.3	AT&W Stores current configuration to user defined profile	32
2.4	ATQ Set result code presentation mode	33
2.5	ATV Set result code format mode	34
2.5.1	Verbose and numeric result codes.....	34
2.6	ATX Set CONNECT result code format and call monitoring	36
2.7	ATZ Set all current parameters to user defined profile.....	37
2.8	AT+CFUN Set phone functionality	38
2.8.1	Wake up the ME from SLEEP mode	42
2.9	AT^SMSO Switch off mobile station.....	43
2.10	AT+GCAP Request complete TA capabilities list.....	44
2.11	AT+CMEE Mobile Equipment Error Message Format	45
2.11.1	CME ERRORS related to GSM 07.07.....	46
2.11.2	GPRS-related CME ERRORS.....	47
2.11.3	CMS ERRORS related to GSM 07.05.....	48

2.12	AT+CSCS	Select TE character set	51
2.13	AT^SM20	Set M20 compatibility mode	53
3.	Status Control Commands	55
3.1	AT+CMER	Mobile Equipment Event Reporting	55
3.2	AT+CIND	Indicator control	58
3.3	AT^SIND	Extended Indicator Control.....	62
3.4	AT+CEER	Extended Error Report.....	65
3.4.1		Cause Location ID for the extended error report.....	67
3.4.2		GSM release cause for L3 Radio Resource (RR)	68
3.4.3		SIEMENS release cause for L3 Radio Resource (RR)	69
3.4.4		GSM release cause for Mobility Management (MM).....	69
3.4.5		SIEMENS release cause for L3 Mobility Management (MM).....	70
3.4.6		GSM release cause for L3 Call Control (CC)	70
3.4.7		SIEMENS release cause for L3 Call Control (CC)	72
3.4.8		SIEMENS release cause for L3 Advice of Charge (AOC).....	73
3.4.9		GSM Release cause for Supplementary Service Call.....	73
3.4.10		SIEMENS release cause for Call-related Supplementary Services (CRSS).....	74
3.4.11		SIEMENS release cause for Session Management (SM)	75
3.4.12		GSM cause for L3 Protocol module or other local cause	76
3.4.13		SIEMENS release cause for GPRS API.....	76
3.4.14		SIEMENS release cause for Embedded Netcore.....	76
3.5	ATS18	Extended call release report.....	77
3.6	AT+CPAS	Mobile equipment activity status	79
3.7	AT+WS46	Select wireless network	80
4.	Serial Interface Control Commands	81
4.1	AT\Q	Flow control.....	81
4.2	AT&C	Set circuit Data Carrier Detect (DCD) function mode	82
4.3	AT&D	Set circuit Data Terminal Ready (DTR) function mode.....	83
4.4	AT&S	Set circuit Data Set Ready (DSR) function mode	84
4.5	ATE	Enable command echo.....	85
4.6	AT+ILRR	Set TE-TA local rate reporting	86
4.7	AT+IPR	Set fixed local rate	88
4.7.1		Autobauding	90
4.8	AT+CMUX	Enter multiplex mode	91
4.8.1		Restrictions on Multiplex mode	92
5.	Security Commands	95
5.1	AT+CPIN	Enter PIN	95
5.1.1		What to do if PIN or password authentication fails?.....	97
5.2	AT+CPIN2	Enter PIN2	99
5.3	AT^SPIC	Display PIN counter	102
5.4	AT+CLCK	Facility lock	107
5.5	AT^SLCK	Facility lock	113

5.6	AT+CPWD Change Password	114
5.7	AT^SPWD Change Password	118
6.	Identification Commands.....	119
6.1	ATI Display product identification information	119
6.2	AT+CGMI Request manufacturer identification.....	120
6.3	AT+GMI Request manufacturer identification	121
6.4	AT+CGMM Request model identification	122
6.5	AT+GMM Request TA model identification	123
6.6	AT+CGMR Request revision identification of software status.....	124
6.7	AT+GMR Request TA revision identification of software status.....	125
6.8	AT+CGSN Request product serial number identification (IMEI) identical to GSN	126
6.9	AT+GSN Request TA serial number identification (IMEI)	127
6.10	AT+CIMI Request international mobile subscriber identity	128
7.	Call related Commands.....	129
7.1	ATA Answer a call	129
7.2	ATD Mobile originated call to dial a number.....	131
7.3	ATD><mem><n> Originate call to phone number in memory.....	134
7.4	ATD><n> Originate call to phone number selected from active memory.....	136
7.5	ATD><str> Originate call to phone number in memory with corresponding field	138
7.6	ATDI Mobile originated call to dialable ISDN number <n>	140
7.7	ATDL Redial last telephone number used.....	141
7.8	ATH Disconnect existing connection.....	142
7.9	AT+CHUP Hang up call	143
7.10	ATS0 Set number of rings before automatically answering a call	144
7.11	ATS6 Set pause before blind dialing.....	145
7.12	ATS7 Set number of seconds to wait for connection completion	146
7.13	ATS8 Set number of seconds to wait for comma dialing modifier.....	147
7.14	ATS10 Set disconnect delay after indicating the absence of data carrier	148
7.15	ATP Select pulse dialing	149
7.16	ATO Switch from command mode to data mode / PPP online mode.....	150
7.17	+++ Switch from data mode to command mode	151
7.18	ATT Select tone dialing	152
7.19	AT+CBST Select bearer service type	153
7.20	AT+CRLP Select radio link protocol parameters for originated non-transparent data calls	155
7.21	AT+CLCC List current calls of ME	157
7.22	AT+CR Service reporting control	160
7.23	AT+CRC Set Cellular Result Codes for incoming call indication	162
7.24	AT+CSNS Single Numbering Scheme.....	164
7.25	AT^SCNI List Call Number Information.....	166
7.26	AT^SLCD Display Last Call Duration	168

7.27	AT^STCD	Display Total Call Duration.....	169
8.	Network Service Commands		170
8.1	AT+COPN	Read operator names	170
8.2	AT+COPS	Operator selection	172
8.3	AT+CREG	Network registration	175
8.4	AT+CSQ	Signal quality	178
8.5	AT^SMONC	Cell Monitoring.....	180
8.6	AT^MONI	Monitor idle mode and dedicated mode	182
	8.6.1	AT^MONI responses	183
	8.6.2	Service states.....	184
	8.6.3	Notes	184
8.7	AT^MONP	Monitor neighbour cells	186
	8.7.1	AT^MONP responses.....	187
8.8	AT^SMONG	GPRS Monitor	188
	8.8.1	AT^SMONG Cell Info Table	189
8.9	AT^SHOM	Display Homezone	190
8.10	AT^SPLM	Read the PLMN list	191
8.11	AT^SPLR	Read entry from the preferred operators list.....	192
8.12	AT^SPLW	Write an entry to the preferred operators list	194
9.	Supplementary Service Commands		195
9.1	AT+CACM	Accumulated call meter (ACM) reset or query	195
9.2	AT^SACM	Advice of charge and query of ACM and ACMmax	197
9.3	AT+CAMM	Accumulated call meter maximum (ACMmax) set or query.....	199
9.4	AT+CAOC	Advice of Charge information	201
9.5	AT+CCUG	Closed User Group	203
9.6	AT+CCFC	Call forwarding number and conditions control	205
9.7	AT+CCWA	Call Waiting	209
9.8	AT+CHLD	Call Hold and Multiparty.....	213
9.9	AT+CLIP	Calling line identification presentation	216
9.10	AT+CLIR	Calling line identification restriction	218
9.11	AT+CPUC	Price per unit and currency table.....	220
9.12	AT+CSSN	Supplementary service notifications	222
9.13	AT+CUSD	Supplementary service notifications	224
10.	GPRS Commands		226
10.1	AT+CGACT	PDP context activate or deactivate	226
10.2	AT+CGATT	GPRS attach or detach	228
10.3	AT+CGDATA	Enter data state	230
10.4	AT+CGDCONT	Define PDP Context	232
10.5	AT+CGPADDR	Show PDP address	234
10.6	AT+CGQMIN	Quality of Service Profile (Minimum acceptable).....	235

10.7	AT+CGQREQ	Quality of Service Profile (Requested)	239
10.8	AT+CGREG	GPRS network registration status	243
10.9	AT+CGSMS	Select service for MO SMS messages	245
10.10	AT^SGACT	Query all PDP context activations	247
10.11	AT^SGAUTH	Set type of authentication for PPP connection	249
10.12	AT^SGCONF	Configuration of GPRS related Parameters	250
10.13	ATD*99#	Request GPRS service	252
10.14	ATD*98#	Request GPRS IP service	254
10.15	ATH	Manual rejection of a network request for PDP context activation	255
10.16	Using GPRS AT commands (Examples)		256
10.17	Using the GPRS dial command ATD		258
11.	FAX Commands		259
11.1	FAX parameters		259
11.2	AT+FBADLIN	Bad Line Threshold	262
11.3	AT+FBADMUL	Error Threshold Multiplier	263
11.4	AT+FBOR	Query data bit order	264
11.5	AT+FCIG	Query or set the Local Polling ID	265
11.6	AT+FCLASS	Fax: Select, read or test service class	266
11.7	AT+FCQ	Copy Quality Checking	268
11.8	AT+FCR	Capability to receive	269
11.9	AT+FDCC	Query or set capabilities	270
11.10	AT+FDFFC	Data Compression Format Conversion	271
11.11	AT+FDIS	Query or set session parameters	272
11.12	AT+FDR	Begin or continue phase C data reception	273
11.13	AT+FDT	Data Transmission	274
11.14	AT+FET	End a page or document	275
11.15	AT+FK	Kill operation, orderly FAX abort	276
11.16	AT+FLID	Query or set the Local Id setting capabilities	277
11.17	AT+FMDL	Identify Product Model	278
11.18	AT+FMFR	Request Manufacturer Identification	279
11.19	AT+FOPT	Set bit order independently	280
11.20	AT+FPHCTO	DTE Phase C Response Timeout	281
11.21	AT+FREV	Identify Product Revision	282
11.22	AT+FRH	Receive Data Using HDLC Framing	283
11.23	AT+FRM	Receive Data	284
11.24	AT+FRS	Receive Silence	285
11.25	AT+FTH	Transmit Data Using HDLC Framing	286
11.26	AT+FTM	Transmit Data	287
11.27	AT+FTS	Stop Transmission and Wait	288
11.28	AT+FVRFC	Vertical resolution format conversion	289

12. Short Message Service (SMS) Commands.....	290
12.1 SMS parameters	290
12.2 AT+CMGC Send an SMS command.....	294
12.3 AT+CMGD Delete SMS message.....	295
12.4 AT+CMGF Select SMS message format	296
12.5 AT+CMGL List SMS messages from preferred store.....	297
12.6 AT+CMGR Read SMS messages.....	299
12.7 AT+CMGS Send SMS message	301
12.8 AT+CMGW Write SMS messages to memory	303
12.9 AT+CMSS Send SMS messages from storage	305
12.10 AT+CNMA New SMS message acknowledge to ME/TE, only phase 2+	306
12.11 AT+CNMI New SMS message indications	308
12.12 AT+CPMS Preferred SMS message storage	312
12.13 AT+CSCA SMS service centre address.....	314
12.14 AT+CSCB Select Cell Broadcast Message Indication	315
12.15 AT+CSDH Show SMS text mode parameters.....	317
12.16 AT+CSMP Set SMS text mode parameters	318
12.17 AT+CSMS Select Message Service.....	320
12.18 AT^SLMS List SMS Memory Storage	322
12.19 AT^SMGL List SMS messages from preferred store without setting status to REC READ	324
12.20 AT^SMGO Set or query SMS overflow presentation mode or query SMS overflow	326
12.21 AT^SMGR Read SMS message without setting status to REC READ	328
12.22 AT^SSCONF SMS Command Configuration	329
12.23 AT^SSDA Set SMS Display Availability	330
12.24 AT^SSMSS Set Short Message Storage Sequence	332
13. SIM related Commands.....	333
13.1 AT+CRSM Restricted SIM Access.....	333
13.2 AT^SCKS Query SIM and Chip Card Holder Status	336
13.3 AT^SSET Indicate SIM data ready.....	338
13.4 AT^SCID Display SIM card identification number	340
13.5 AT+CXXCID Display card ID.....	341
14. SIM Application Toolkit (SAT) Commands.....	342
14.1 AT^SSTA SAT Interface Activation	342
14.2 ^SSTN SAT Notification	344
14.3 AT^SSTGI SAT Get Information	346
14.4 AT^SSTR SAT Response	348
15. Phonebook Commands.....	350
15.1 Sort Order for Phonebooks	350
15.2 AT+CPBR Read from Phonebook.....	351
15.3 AT+CPBS Select phonebook memory storage	354

15.4	AT+CPBW	Write into Phonebook	356
15.5	AT^SPBC	Search the first entry in the sorted telephone book.....	359
15.6	AT^SPBD	Purge phonebook memory storage.....	361
15.7	AT^SPBG	Read current Phonebook entries	363
15.8	AT^SPBS	Step through the selected phonebook alphabetically	367
15.9	AT^SDLD	Delete the 'last number redial' memory	371
16.	Audio Commands		372
16.1	Audio programming model		372
16.2	ATL	Set monitor speaker loudness	373
16.3	ATM	Set monitor speaker mode.....	374
16.4	AT+CLVL	Loudspeaker volume level.....	375
16.5	AT+CMUT	Mute control	377
16.6	AT+VTD	Tone duration	378
16.7	AT+VTS	DTMF and tone generation.....	379
16.8	AT^SAIC	Audio Interface Configuration	381
16.9	AT^SNFA	Set or query of microphone attenuation	383
16.10	AT^SNFD	Set audio parameters to manufacturer default values	385
16.11	AT^SNFI	Set microphone path parameters	386
16.12	AT^SNFM	Mute microphone	388
16.13	AT^SNFO	Set audio output (= loudspeaker path) parameter	390
16.14	AT^SNFPT	Set progress tones	392
16.15	AT^SNFS	Select audio hardware set.....	393
16.16	AT^SNFV	Set loudspeaker volume	397
16.17	AT^SNFW	Write audio setting in non-volatile store	399
16.18	AT^SRTC	Ring tone configuration	400
17.	Hardware related Commands		403
17.1	AT+CALA	Set alarm time	403
	17.1.1	Summary of AT commands available in Alarm mode	406
17.2	AT+CCLK	Real Time Clock.....	407
17.3	AT^SBC	Battery charge and charger control	408
17.4	AT^SCTM	Set critical operating temperature presentation mode or query temperature.....	410
	17.4.1	Deferred shutdown	413
17.5	AT^SSYNC	Configure SYNC Pin.....	414
	17.5.1	ME status indicated by status LED patterns.....	415
18.	Miscellaneous Commands		416
18.1	A/	Repeat previous command line	416
18.2	ATS3	Write command line termination character.....	417
18.3	ATS4	Set response formatting character	418
18.4	ATS5	Write command line editing character	419

19. Appendix 420

- 19.1 Restricted access to SIM data after SIM PIN authentication..... 420
- 19.2 List of Star-Hash (*#) Codes 421
- 19.3 Available AT Commands and Dependency on SIM PIN 424
- 19.4 AT Command Settings storable with AT&W..... 431
- 19.5 Factory Default Settings Restorable with AT&F 434
- 19.6 Summary of Unsolicited Result Codes (URC)..... 437
- 19.7 Alphabetical List of AT Commands 439

List of Tables

Table 1.1:	Product specific use of AT commands	13
Table 1.2:	Symbols used to mark the type of parameters	16
Table 1.3:	Symbols used to indicate the correlations with other commands	16
Table 1.4:	Symbols used to mark different types of default values of parameters	16
Table 2.1:	Current configuration on ASC0 / MUX channel 1 (example)	31
Table 2.2:	Current configuration on MUX channels 2 and 3 (example)	31
Table 2.3:	Wake-up events in NON-CYCLIC and CYCLIC SLEEP modes	42
Table 4.1:	Availability of AT Commands on Virtual Channels	92
Table 4.2:	Summary of AT commands with Different Behavior in Multiplex Mode	93
Table 17.1:	List of AT commands available in Alarm mode	406
Table 17.2:	Modes of the LED and indicated ME functions	415
Table 19.1:	List of Star-Hash (*#) Codes	421
Table 19.2:	Abbreviations of Codes and Parameters used in Table 19.1, List of Star-Hash (*#) Codes ...	422
Table 19.3:	Possible Star-Hash Command Responses	423
Table 19.4:	Star-Hash Codes for Supplementary Services	423
Table 19.5:	Available AT Commands and Dependency on SIM PIN.....	424
Table 19.6:	Settings Stored to User Profile on ASC0 / MUX Channel 1.....	431
Table 19.7:	Settings Stored to User Profile on MUX Channels 2 and 3	432
Table 19.8:	Factory Default Settings Restorable with AT&F	434
Table 19.9:	Summary of Unsolicited Result Codes (URC).....	437
Table 19.10:	Alphabetical List of AT Commands.....	439

List of Figures

Figure 1.1:	Main character table of GSM 03.38 alphabet	21
Figure 1.2:	Extension character table of GSM 03.38 alphabet	22
Figure 16.1:	Audio programming model.....	372

1. Introduction

1.1 Scope of the document

This document presents the AT Command Set for the Siemens Cellular Engines
MC35i Version 01.03
MC35i Terminal Version 01.03.

Before using the Cellular Engine or upgrading to a new firmware version please read the latest product information provided in the Release Notes [1].

More information is available at the Siemens Website: <http://www.siemens.com/wm>.

If features differ between *MC35i* and *MC35i Terminal* this is noted in the section that refers to the AT command. At present the following features are concerned:

Table 1.1: Product specific use of AT commands

AT command	Module version	Terminal version
AT+ILRR	Maximum bit rate: 230400 bps	Maximum bit rate: 115200 bps
AT+IPR	Maximum bit rate: 230400 bps	Maximum bit rate: 115200 bps
AT+CALA	Alarm mode and reminder message fully applicable	Does not support Alarm mode. Please ignore any information relating to the subject. The reminder message can be used as described.
AT^SAIC	All parameters usable as described.	Additional recommendations for using audio modes 2, 3 and 6 with MC35i Terminal.
AT^SSYNC	SYNC pin may be assigned different functions: <mode> 0 or 1.	SYNC pin supports only <mode>=1 . (LED status)
AT^SBC	All functions fully applicable	Command not applicable

1.2 Related documents

- [1] MC35i Release Notes, Version 01.03
- [2] MC35i Hardware Interface Description, Version 01.03
- [3] MC35i Terminal Hardware Interface Description
- [4] GPRS Startup User's Guide
- [5] Remote-SAT User's Guide
- [6] Multiplexer User's Guide
- [7] Multiplex Driver Developer's Guide for Windows 2000 and Windows XP
- [8] Multiplex Driver Installation Guide for Windows 2000 and Windows XP
- [9] Application Note 02: Audio Interface Design
- [10] Application Note 16: Updating MC35i Firmware
- [11] Application Note 24: Application Developer's Guide
- [12] ISO/IEC10646: "Universal Multiple-Octet Coded Character Set (UCS)"; UCS2, 16 bit coding
- [13] ITU-T Recommendation V.24: List of definitions for interchange circuits between data terminal equipment (DTE) and data circuit-terminating equipment (DCE)
- [14] ITU-T Recommendation V.25ter: Serial asynchronous automatic dialling and control
- [15] 3GPP TS 100 918/EN 300 918 (GSM 02.04): General on supplementary services
- [16] 3GPP TS 100 907 (GSM 02.30): Man-Machine Interface (MMI) of the Mobile Station (MS)
- [17] 3GPP TS 23.038 (GSM 03.38): Alphabets and language specific information
- [18] 3GPP TS 27.005 (GSM 07.05): Use of Data Terminal Equipment - Data Circuit terminating Equipment (DTE - DCE) interface for Short Message Service (SMS) and Cell Broadcast Service (CBS)
- [19] 3GPP TS 27.007 (GSM 07.07): AT command set for User Equipment (UE)
- [20] 3GPP TS 27.060 (GSM 07.60): Mobile Station (MS) supporting Packet Switched Services
- [21] 3GPP TS 51.011 (GSM 11.11): Specification of the Subscriber Identity Module - Mobile Equipment (SIM - ME) interface
- [22] 3GPP TS 11.14 (GSM 11.14): Specification of the SIM Application Toolkit for the Subscriber Identity Module - Mobile Equipment (SIM - ME) interface

1.3 Document conventions

Throughout the document, the GSM engines are referred to as ME (Mobile Equipment), MS (Mobile Station), TA (Terminal Adapter), DCE (Data Communication Equipment) or facsimile DCE (FAX modem, FAX board). When the Siemens product names are required to distinguish the two models, MC35i is short for the engine type and MC35iT for the terminal.

To control your GSM engine you can simply send AT Commands via its serial interface. The controlling device at the other end of the serial line is referred to as TE (Terminal Equipment), DTE (Data Terminal Equipment) or plainly 'the application' (probably running on an embedded system).

All abbreviations and acronyms used throughout this document are based on the GSM specifications. For definitions please refer to TR 100 350 V7.0.0 (1999-08), (GSM 01.04, version 7.0.0 release 1998).

1.3.1 Quick reference table

Each AT command description includes a table similar to the example shown below. The table is intended as a quick reference to indicate the following functions:

PIN: Is the AT command PIN protected?

- Yes
- No
- Usage is dependent on conditions specified for the command, or not all command types are PIN protected (for example write command PIN protected, read command not).

Note: The table provided in Section 19.3, [Available AT Commands and Dependency on SIM PIN](#) uses the same symbols.

ASC0: Is the AT command supported on the physical serial interface ASC0?

- Yes
- No

Note: In the case of MC35i only "Yes" applies.

MUXn: Is the AT command usable on the Multiplexer channels MUX1, MUX2, MUX3?

- Yes
- No
- AT command is usable, but under the restrictions specified in the section related to the command.

Note: The columns MUX1, MUX2 and MUX3 are relevant only when the GSM engine operates in Multiplexer mode, that is, when the physical serial interface is partitioned into 3 virtual channels by using the Multiplexer protocol. Usage is the same on ASC0 and MUX1.

Example:

PIN	ASC0	MUX1	MUX2	MUX3
<input type="radio"/>	<input checked="" type="radio"/>	<input type="radio"/>	<input type="radio"/>	<input type="radio"/>

1.3.2 Superscript notation for parameters and values

Table 1.2: Symbols used to mark the type of parameters

Parameter type	Meaning
<param> ^(num)	Parameter value must be numeric type
<param> ^(str)	Parameter value must be string type

Table 1.3: Symbols used to indicate the correlations with other commands

Parameter option	Meaning
<param> ^(&W)	Parameter value will be stored with AT&W
<param> ^(&V)	Parameter value will be displayed with AT&V
<param> ^(^SNFW)	Parameter value will be stored with AT^SNFW
<param> ^(+CSCS)	Parameter value has to be (is) coded according to current setting of <chset> (see AT+CSCS for details)

Table 1.4: Symbols used to mark different types of default values of parameters

Value option	Meaning
[x]	Default value: if the parameter is omitted, the value 'x' will be assumed
x ^(&F)	Factory default value, will be restored to 'x' with AT&F
x ^(P)	Powerup default value of a parameter which is not stored at power down
x ^(D)	Delivery default value of a parameter which cannot be restored automatically

1.4 AT Command Syntax

The "AT" or "at" prefix must be set at the beginning of each command line. To terminate a command line enter <CR>.

Commands are usually followed by a response that includes "<CR><LF><response><CR><LF>". Throughout this document, only the responses are presented, <CR><LF> are omitted intentionally.

Types of AT commands and responses:

AT command type	Syntax	Function
Test command	AT+CXXX=?	The mobile equipment returns the list of parameters and value ranges set with the corresponding Write command or by internal processes.
Read command	AT+CXXX?	This command returns the currently set value of the parameter or parameters.
Write command	AT+CXXX=<...>	This command sets user-definable parameter values.
Exec(ution) command	AT+CXXX	The execution command reads non-variable parameters determined by internal processes in the GSM engine.

1.4.1 Using parameters

- Optional parameters are enclosed in square brackets. If optional parameters are omitted, the current settings are used until you change them.
- Optional parameters or subparameters can be omitted unless they are followed by other parameters. If you want to omit a parameter in the middle of a string it must be replaced by a comma. See also example 1.
- A parameter value enclosed in square brackets represents the value that will be used if an optional parameter is omitted. See also example 2.
- When the parameter is a character string, e.g. <text> or <number>, the string must be enclosed in quotation marks, e.g. "Charlie Brown" or "+49030xxxx". Symbols within quotation marks will be recognized as strings.
- All spaces will be ignored when using strings without quotation marks.
- It is possible to omit the leading zeros of strings which represent numbers.
- If an optional parameter of a V.25ter command is omitted, its value is assumed to be 0.

Example 1: Omitting parameters in the middle of a string

```
AT+CCUG?           Query current setting
+CCUG: 1,10,1
OK
AT+CCUG=,9        Set only the middle parameter
OK
AT+CCUG?          Query new setting
+CCUG: 1,9,1
OK
```

Example 2: Using default parameter values for optional parameters

```
AT+CFUN=5,0       Activate CYCLIC SLEEP mode, don't reset ME
OK
AT+CFUN?          Query ME mode
+CFUN: 5
OK
AT+CFUN=          Set ME back to normal (default parameters: 1,0)
OK
+CFUN: 1
OK
```

1.4.2 Combining AT commands on the same command line

You may enter several AT commands on the same line. This eliminates the need to type the "AT" or "at" prefix before each command. Instead, it is only needed once at the beginning of the command line. Use a semicolon as command delimiter.

The command line buffer accepts a maximum of 391 characters. If this number is exceeded none of the commands will be executed and TA returns ERROR.

The table below lists the AT commands you cannot enter together with other commands on the same line. Otherwise, the responses may not be in the expected order.

AT command type	Comment
V.25ter commands	with FAX commands (Prefix AT+F)
GSM 7.07 commands	with Siemens commands, Prefix AT^S)
GSM 7.05 commands (SMS)	To be used standalone
Commands starting with AT&	To be used standalone
AT+IPR	To be used standalone

Note: When concatenating AT commands please keep in mind that the sequence of processing may be different from the sequential order of command input. Therefore, if the consecutive order of the issued commands is your concern, avoid concatenating commands on the same line.

1.5 Supported character sets

The ME supports two character sets: GSM 03.38 (7 bit, also referred to as GSM alphabet or SMS alphabet) and UCS2 (16 bit, refer to ISO/IEC 10646). See [AT+CSCS](#) for information about selecting the character set. Character tables can be found below.

Explanation of terms

- International Reference Alphabet (IRA)
IRA means that one byte is displayed as two characters in hexadecimal format. For example, the byte 0x36 (decimal 54) is displayed as "36" (two characters). IRA is used here for input 8-bit or 16-bit data via terminal devices using text mode. This means only characters 'A'..'F','a'..'f' and '0'..'9' are valid.
- Escape sequences
The escape sequence used within a text coded in the GSM default alphabet (0x1B) must be correctly interpreted by the TE, both for character input and output. To the module, an escape sequence appears like any other byte received or sent.
- Terminal Adapter (TA)
TA is used equivalent to Mobile Equipment (ME) which stands for the GSM module described here. It uses GSM default alphabet as its character set.
- Terminal Equipment (TE)
TE is the device connected to the TA via serial interface. In most cases TE is an ANSI/ASCII terminal that does not fully support the GSM default alphabet, for example MS Hyperterminal.
- TE Character Set
The character set currently used by Terminal Equipment is selected with [AT+CSCS](#).
- Data Coding Scheme (dcs)
DCS is part of a short message and is saved on the SIM. When writing a short message to the SIM in text mode, the dcs stored with [AT+CSMP](#) is used and determines the coded character set.

The behavior when encountering characters, that are not valid characters of the supported alphabets, is undefined.

Due to the constraints described below it is recommended to prefer the USC2 alphabet in any external application.

If the GSM alphabet is selected all characters sent over the serial line (between TE and TA) are in the range from 0 to 127 (7 Bit range). CAUTION: ASCII alphabet (TE) is not GSM alphabet (TA/ME) !

Several problems resulting from the use of GSM alphabet with ASCII terminal equipment:

- "@" character with GSM alphabet value 0 is not printable by an ASCII terminal program (e.g. Microsoft® Hyperterminal®).
- "@" character with GSM alphabet value 0 will terminate any C string! This is because the 0 is defined as C string end tag. Therefore, the GSM Null character may cause problems on application level when using a 'C'-function as "strlen()". This can be avoided if it is represented by an escape sequence as shown in the table below.
By the way, this may be the reason why even network providers often replace "@" with "@=" in their SIM application.
- Other characters of the GSM alphabet are misinterpreted by an ASCII terminal program. For example, GSM "ö" (as in "Börse") is assumed to be "l" in ASCII, thus resulting in "B|rse". This is because both alphabets mean different characters with values hex. 7C or 00 and so on.
- In addition, decimal 17 and 19 which are used as XON/XOFF control characters when software flow control is activated, are interpreted as normal characters in the GSM alphabet.

When you write characters differently coded in ASCII and GSM (e.g. Ä, Ö, Ü), you need to enter escape sequences. Such a character is translated into the corresponding GSM character value and, when output later, the GSM character value can be presented. Any ASCII terminal then will show wrong responses.

Examples for character definitions depending on alphabet

GSM 03.38 character	GSM character hex. value	Corresponding ASCII character	ASCII Esc sequence	Hex Esc sequence
Ö	5C	\	\5C	5C 35 43
"	22	"	\22	5C 32 32
ò	08	BSP	\08	5C 30 38
@	00	NULL	\00	5C 30 30

CAUTION: Often, the editors of terminal programs do not recognize escape sequences. In this case, an escape sequence will be handled as normal characters. The most common workaround to this problem is to write a script which includes a decimal code instead of an escape sequence. This way you can write, for example, short messages which may contain differently coded characters.

1.5.1 GSM alphabet tables and UCS2 character values

This section provides tables for the GSM 03.38 alphabet supported by the ME. Below any GSM character find the corresponding two byte character value of the UCS2 alphabet.

Main character table of GSM 03.38 alphabet				b7	0	0	0	0	1	1	1	1
				b6	0	0	1	1	0	0	1	1
				b5	0	1	0	1	0	1	0	1
b4	b3	b2	b1		0	1	2	3	4	5	6	7
0	0	0	0	0	@ 0040	Δ 0394	SP 0020	0 0030	i 00A1	P 0050	¿ 00BF	p 0070
0	0	0	1	1	£ 00A3	_ 005F	! 0021	1 0031	A 0041	Q 0051	a 0061	q 0071
0	0	1	0	2	\$ 0024	⊕ 03A6	" 0022	2 0032	B 0042	R 0052	b 0062	r 0072
0	0	1	1	3	¥ 00A5	Γ 0393	# 0023	3 0033	C 0043	S 0053	c 0063	s 0073
0	1	0	0	4	è 00E8	Λ 039B	* 00A4	4 0034	D 0044	T 0054	d 0064	t 0074
0	1	0	1	5	é 00E9	Ω 03A9	% 0025	5 0035	E 0045	U 0055	e 0065	u 0075
0	1	1	0	6	ù 00F9	Π 03A0	& 0026	6 0036	F 0046	V 0056	f 0066	v 0076
0	1	1	1	7	ì 00EC	Ψ 03A8	' 0027	7 0037	G 0047	W 0057	g 0067	w 0077
1	0	0	0	8	ò 00F2	Σ 03A3	(0028	8 0038	H 0048	X 0058	h 0068	x 0078
1	0	0	1	9	í 00E7	⊙ 0398) 0029	9 0039	I 0049	Y 0059	i 0069	y 0079
1	0	1	0	10 /A	LF [LF]¹	⊘ 039E	* 002A	: 003A	J 004A	Z 005A	j 006A	z 007A
1	0	1	1	11 /B	Ø 00D8	ƒ 002B	+ 002B	; 003B	K 004B	Ä 00C4	k 006B	ä 00E4
1	1	0	0	12 /C	ø 00F8	Æ 00C6	, 002C	< 003C	L 004C	O 00D6	l 006C	ö 00F6
1	1	0	1	13 /D	CR [CR]²	æ 00E6	- 002D	= 003D	M 004D	Ñ 00D1	m 006D	ñ 00F1
1	1	1	0	14 /E	À 00C5	ß 00DF	. 002E	> 003E	N 004E	Ü 00DC	n 006E	ü 00FC
1	1	1	1	15 /F	á 00E5	É 00C9	/ 002F	? 003F	O 004F	Ş 00A7	o 006F	à 00E0

Figure 1.1: Main character table of GSM 03.38 alphabet

- 1) This code is an escape to the following extension of the 7 bit default alphabet table.
- 2) This code is not a printable character and therefore not defined for the UCS2 alphabet. It shall be treated as the accompanying control character.

Extension character table of GSM 03.38 alphabet				b7	0	0	0	0	1	1	1	1
				b6	0	0	1	1	0	0	1	1
				b5	0	1	0	1	0	1	0	1
b4	b3	b2	b1		0	1	2	3	4	5	6	7
0	0	0	0	0					 007C			
0	0	0	1	1								
0	0	1	0	2								
0	0	1	1	3								
0	1	0	0	4		^ 005E						
0	1	0	1	5						€ ² 20AC		
0	1	1	0	6								
0	1	1	1	7								
1	0	0	0	8			{ 007B					
1	0	0	1	9			} 007D					
1	0	1	0	10 /A	↵ [LF]							
1	0	1	1	11 /B	↵							
1	1	0	0	12 /C			[005B					
1	1	0	1	13 /D			~ 007E					
1	1	1	0	14 /E] 005D					
1	1	1	1	15 /F			\ 005C					

Figure 1.2: Extension character table of GSM 03.38 alphabet

- 1) This code value is reserved for the extension to another extension table. On receipt of this code, a receiving entity shall display a space until another extension table is defined.
- 2) This code represents the EURO currency symbol. The code value is the one used for the character 'e'. Therefore a receiving entity which is incapable of displaying the EURO currency symbol will display the character 'e' instead.
- 3) This code is defined as a Page Break character and may be used for example in compressed CBS messages. Any mobile which does not understand the 7 bit default alphabet table extension mechanism will treat this character as Line Feed.

In the event that an MS receives a code where a symbol is not represented in Figure 1.2, [Extension character table of GSM 03.38 alphabet](#) the MS shall display the character shown in the main default 7 bit alphabet table (see Figure 1.1, [Main character table of GSM 03.38 alphabet](#)).

1.5.2 UCS2 and GSM data coding and conversion for SMS text mode

This section provides basic information on how to handle input and output character conversion for SMS text mode and Remote-SAT if internal (TA) and external (TE) character representation differ, i.e. if the Data Coding Scheme and the TE character use different coding.

1.5.2.1 Implementing output of SIM data to the Terminal (direction TA to TE)

dcscs	7-Bit (GSM default)	8-Bit (Data)	16-Bit (UCS2)
GSM	Case 1 GSM (1:1)	Case 2 8-bit to IRA (1:2)	Case 3 UCS2 to IRA (2:4)
UCS2	Case 4 GSM to IRA (1:4)	Case 5 8-Bit to IRA (1:4)	Case 6 UCS2 to IRA (2:4)

The relation of SIM bytes to output bytes is given in parentheses.

Case 1

Every GSM character is sent to TE as it is (8-bit value with highest bit set to zero).
Example: 47'H, 53'H, 4D'H → 47'H, 53'H, 4D'H, displayed as "GSM"

Case 2

Every data byte will is sent to TE as 2 IRA characters each representing a halfbyte.
Example: B8'H (184 decimal) → 42'H, 38'H, displayed as "B8"

Case 3

Every 16-bit UCS2 value is sent to TE as 4 IRA characters.
Example: C4xA7'H (50343 decimal) → 43'H, 34'H, 41'H, 37'H, displayed as "C4A7"
Problem: An odd number of bytes leads to an error because there are always two bytes needed for each USC2 character

Case 4

Every GSM character is sent to TE as 4 IRA characters to show UCS2 in text mode.
Example: 41'H ("A") → 30'H, 30'H, 34'H, 31'H, displayed as "0041"

Case 5

Every data byte is sent to TE as IRA representation of UCS2 (similar to case 4).
Example: B2'H → 30'H, 30'H, 42'H, 32'H, displayed as "00B2"

Case 6

Every 16-bit value is sent to TE as IRA representation of it. It is assumed that number of bytes is even.
Example: C3x46'H → 43'H, 33'H, 34'H, 36'H, displayed as "C346"

1.5.2.2 Implementing input of Terminal data to SIM (direction TE to TA)

dcs CSCS	7-Bit (GSM default)	8-Bit (Data)	16-Bit (UCS2)
GSM	Case 1 GSM (1:1)	Case 2 IRA to 8-Bit (2:1)	Case 3 IRA to 16-Bit (4:2)
UCS2	Case 4 UCS2 to GSM (4:1)	Case 5 UCS2 to 8-Bit (4:1)	Case 6 UCS2 to 16-Bit (4:2)

The relation between number of input characters and stored bytes on SIM is given in parentheses.

Case 1

Every character is sent from TE to TA as GSM character (or ASCII with Hyperterminal).

Character value must be in range from 0 to 127 because of 7-bit GSM alphabet.

To reach maximum sms text length of 160 characters in 140 bytes space characters will be compressed on SIM.

This must be set using the parameter `<dcs>` of `AT+CSMP` (add 64).

Example: "ABCDEFGH" typed is sent and stored uncompressed as → 4142434445464748'H (stored compressed as 41E19058341E91'H)

Case 2

Every data byte is sent to TA as 2 IRA characters.

Maximum text length is 280 IRA characters which will be converted into 140 bytes sms binary user data

Example: "C8" typed is sent as 43'H, 38'H → stored as C8'H

Case 3

Every 16-bit value is sent to TA as 4 IRA characters.

Maximum text length is 280 IRA characters which will be converted into 70 UCS2 characters (16-bit each)

Number of IRA characters must be a multiple of four because always 4 half bytes are needed for a 16-bit value

Example: "D2C8" typed is sent as 44'H, 32'H, 43'H, 38'H → stored as D2C8'H

Case 4

Every GSM character is sent to TA as 4 IRA characters representing one UCS2 character.

Example: To store text "ABC" using UCS2 character set you have to type "004100420043".

This is sent as 30'H,30'H,34'H,31'H, 30'H,30'H,34'H,32'H, 30'H,30'H,34'H,33'H → detected as IRA representation of 3 UCS2 characters, converted to GSM character set and stored as 41'H, 42'H, 43'H.

Maximum input is 640 IRA characters representing 160 UCS2 characters when compression is active. These are converted to 160 GSM 7-bit characters.

Without compression only 140 GSM characters can be stored which are put in as 560 IRA characters.

Values of UCS2 characters must be smaller than 80'H (128 decimal) to be valid GSM characters.

Number of IRA characters must be a multiple of four. Problems:

- "41" → Error, there are four IRA characters (two bytes) needed
- "0000" → Error, not an UCS2 character
- "4142" → Error, value of UCS2 character > 7F'H
- "008B" → Error, value of UCS2 character > 7F'H

(This affects the maximum input length of a string)

Case 5

Every UCS2 character is sent as 4 IRA characters and is converted into two 8-bit values. This means that the first two characters have to be '00'.

Example: UCS2 character 009F'H typed as "009F" is sent as 30'H,30'H,39'H,46'H → converted into 8-bit value 9F'H.

Maximum number of UCS2 characters is 140 which are represented by 560 IRA characters. Number of IRA characters must be a multiple of four.

Case 6

Every UCS2 character is sent as 4 IRA characters each and is converted into a 16-bit value again.

Example: UCS2 character 9F3A'H typed as "9F3A" is sent as 39'H,46'H,33'H,41'H → converted into 9F3A'H.
Maximum number of UCS2 characters is 70 which are represented by 280 IRA characters. Number of IRA characters must be a multiple of four.
Invalid UCS2 values must be prevented.

1.6 Serial Interface Flow Control

Flow control is essential to prevent loss of data or avoid errors when, in a data or fax call, the sending device is transferring data faster than the receiving side is ready to accept. When the receiving buffer reaches its capacity, the receiving device should be capable to cause the sending device to pause until it catches up.

There are basically two approaches to regulate data flow: Software flow control and hardware flow control. The High Watermark of the input/output buffer should be set to approximately 60% of the total buffer size. The Low Watermark is recommended to be about 30%. The data flow should be stopped when the capacity rises close to the High Watermark and resumed when it drops below the Low Watermark. The time required to cause stop and go results in a hysteresis between the High and Low Watermarks.

During Multiplex mode ([AT+CMUX](#)) it is recommended to use hardware flow control.

1.6.1 Software Flow Control (XON/OFF Handshake)

Software flow control sends different characters to stop (XOFF, decimal 19) and resume (XON, decimal 17) data flow. The only advantage of software flow control is that three wires would be sufficient on the serial interface.

1.6.2 Hardware Flow Control (RTS/CTS Handshake)

Hardware flow control sets or resets the RTS/CTS wires. This approach is faster and more reliable, and therefore, the better choice. When the High Watermark is reached, CTS is set inactive until the transfer from the buffer has completed. When the Low Watermark is passed, CTS goes active again.

To achieve smooth data flow, ensure that the RTS/CTS lines are present on your application platform. The application should include options to enable RTS/CTS handshake with the GSM engine. This needs to be done with the AT command [AT\Q3](#) - it is not sufficient to set RTS/CTS handshake in the used Terminal program only.

The default setting of the GSM engine is [AT\Q0](#) (no flow control) which must be altered to [AT\Q3](#) (RTS/CTS hardware handshake on). The setting is stored volatile and must be restored each time after the GSM engine was switched off.

[AT\Q](#) has no read command. To verify the current setting of [AT\Q](#), simply check the settings of the active profile with [AT&V](#).

Often, fax programs run an initialization procedure when started up. The initialization commonly includes enabling RTS/CTS hardware handshake, eliminating the need to set [AT\Q3](#) once again. However, before setting up a CSD call, you are advised to check that RTS/CTS handshake is set.

RTS/CTS hardware handshake must also be set if you want to take advantage of the CYCLIC SLEEP modes. For further details refer to [AT+CFUN](#).

Note: After deactivating the RTS line, the ME may still send up to 264 bytes (worst case). This can be easily handled if the buffer of the host application is sufficiently sized, and if a hysteresis is implemented regarding its Rx buffer. For host applications that are required to handle a large amount of data at high speed, a total buffer capacity of 512 bytes is recommended.

1.7 Unsolicited Result Code Presentation

URC stands for Unsolicited Result Code and is a report message issued by the ME without being requested by the TE, i.e. a URC is issued automatically when a certain event occurs. Hence, a URC is not issued as part of the response related to an executed AT command.

Typical events leading to URCs are incoming calls ("RING"), waiting calls, received short messages, changes in temperature, network registration etc.

A list of all URCs can be found in Section [19.6, Summary of Unsolicited Result Codes \(URC\)](#).

To announce a pending URC transmission the ME will do the following:

- Activates its Ring line (logic "1") for one second, i.e. the line changes to physical "Low" level. This allows the TE to enter power saving mode until ME related events request service.
- If the AT command interface is busy a "BREAK" will be sent immediately but the URC will not be issued until the line is free. This may happen if the URC is pending
 - while an AT command is being processed, i.e. during the time from sending the first character "A" of an AT command by the TE until the ME has responded with "OK" or "ERROR", or
 - during a data call.

Please note that AT command settings may be necessary to enable in-band signaling, e.g. refer to [AT+CMER](#) or [AT+CNMI](#).

It is strongly recommended to use the multiplex mode to map logical communication channels onto the serial line of the MC35i, for details refer to [\[6\]](#) and AT command [AT+CMUX](#). Doing so it is possible to use one channel to still process URCs while having a data call active on another.

For most of these messages, the ME needs to be configured whether or not to send an URC. Depending on the AT command, the URC presentation mode can be saved to the user defined profile (see [AT&W](#)), or needs to be activated every time you reboot the ME. Several URCs are not user definable, such as "^SYSSTART", "^SYSSTART <text>", "^SHUTDOWN" and the Fax Class 2 URCs listed in Section [19.6, Summary of Unsolicited Result Codes \(URC\)](#).

If autobauding is enabled (as factory default mode or set with [AT+IPR=0](#)), URCs generated after restart will be output with 57600 bps until the ME has detected the current bit rate. The URCs "^SYSSTART", "^SYSSTART <text>", however, are not presented at all. For details please refer to Section [4.7.1, Autobauding](#). To avoid problems we recommend to configure a fixed bit rate rather than using autobauding.

1.7.1 Communication between Customer Application and MC35i

Leaving hardware flow control unconsidered the Customer Application (TE) is coupled with the MC35i (ME) via a receive and a transmit line.

Since both lines are driven by independent devices collisions may (and will) happen, i.e. while the TE issues an AT command the MC35i starts sending an URC. This probably will lead to the TE's misinterpretation of the URC being part of the AT command's response.

To avoid this conflict the following measures must be taken:

- If an AT command is finished (with "OK" or "ERROR") the TE shall always wait at least 100 milliseconds before sending the next one.
This gives the MC35i the opportunity to transmit pending URCs and get necessary service.
Note that some AT commands may require more delay after "OK" or "ERROR" response, refer to the following command specifications for details.
- The TE shall communicate with the MC35i using activated echo ([ATE1](#)), i.e. the MC35i echoes characters received from the TE.
Hence, when the TE receives the echo of the first character "A" of the AT command just sent by itself it has control over both the receive and the transmit paths. This way no URC can be issued by the MC35i in between.

1.8 Errors and Messages

The final result codes "+CME ERROR: <err>" and "+CMS ERROR: <err>" indicate errors related to mobile equipment or network. The effect is similar to an ERROR result code.

A final result error code terminates the execution of the command and prevents the execution of all remaining commands that may follow on the same command line. If so, neither ERROR nor OK result code are returned for these commands. A 30 seconds timeout causes ERROR to be returned when the input of a command is not complete.

The format of <err> can be either numeric or verbose. The setting is made with the command [AT+CMEE](#).

See also:

- Section [2.11.1](#), [CME ERRORS related to GSM 07.07](#)
- Section [2.5.1](#), [Verbose and numeric result codes](#)
- Section [3.4](#), [AT+CEER](#)

2. Configuration Commands

The AT Commands described in this chapter allow the external application to determine the MC35i's behaviour under various conditions.

2.1 AT&F Set all current parameters to manufacturer defaults

AT&F sets all current parameters to the manufacturer defined profile.

Syntax

```
Exec Command
AT&F[<value>]

Response(s)
OK
```

PIN	ASC0	MUX1	MUX2	MUX3
<input type="radio"/>	<input checked="" type="radio"/>	<input checked="" type="radio"/>	<input checked="" type="radio"/>	<input checked="" type="radio"/>

```
Reference(s)
V.25ter
```

Parameter Description

<value> ^(num)	
[0]	Set all TA parameters to manufacturer defaults

Notes

- List of parameters reset to manufacturer default can be found in Section [19.5, Factory Default Settings Restorable with AT&F](#).
- In addition to the default profile, you can store an individual one with **AT&W**. To alternate between the two profiles enter either **ATZ** (loads user profile) or **AT&F** (restores factory profile).
- Every ongoing or incoming call will be terminated.

2.2 AT&V Display current configuration

[AT&V](#) returns the current parameter setting. The configuration varies depending on whether or not PIN authentication has been done and whether or not Multiplex mode is enabled (see [AT+CMUX](#)).

Syntax

```
Exec Command
AT&V[<value>]

Response(s)
ACTIVE PROFILE:
... (see Section 2.2.1, AT&V responses)
OK
```

PIN	ASC0	MUX1	MUX2	MUX3
<input type="radio"/>	<input checked="" type="radio"/>	<input checked="" type="radio"/>	<input type="radio"/>	<input type="radio"/>

```
Reference(s)
V.25ter
```

Parameter Description

<value> ^(num)
[0] Profile number

Notes

- The parameters of [AT^SMGO](#) can only be displayed after the SMS data from the SIM have been read successfully for the first time. Reading starts after successful SIM authentication has been performed, and may take up to 30 seconds depending on the SIM used. While the read process is in progress, an attempt to read the parameter will result in empty values.
- The parameter of [AT+CSDH](#) will only be displayed in SMS text mode, see [AT+CMGF](#).

2.2.1 AT&V responses

The following tables show four different kinds of responses depending on whether or not the PIN is entered and whether or not the Multiplex mode is enabled (see [AT+CMUX](#)).

Table 2.1: Current configuration on ASC0 / MUX channel 1 (example)

PIN authentication done	No PIN authentication
ACTIVE PROFILE: E1 Q0 V1 X4 &C1 &D2 &S0 \Q0 S0:000 S3:013 S4:010 S5:008 S6:000 S7:060 S8:000 S10:002 S18:000 +CBST: 7,0,1 +CRLP: 61,61,78,6 +CR: 0 +FCLASS: 0 +CRC: 0 +CMGF: 0 +CSDH: 0 +CNMI: 0,0,0,0,1 +ILRR: 0 +IPR: 57600 +CMEE: 2 ^SMGO: 0,0 +CSMS: 0,1,1,1 ^SACM: 0,"000000","000000" ^SCKS: 0,1 ^SSET: 0 +CREG: 0,1 +CLIP: 0,2 +CAOC: 0 +COPS: 0,0,"operator" +CGSMS: 3 OK	ACTIVE PROFILE: E1 Q0 V1 X4 &C1 &D2 &S0 \Q0 S0:000 S3:013 S4:010 S5:008 S6:000 S7:060 S8:000 S10:002 S18:000 +CBST: 7,0,1 +CRLP: 61,61,78,6 +CR: 0 +FCLASS: 0 +ILRR: 0 +IPR: 57600 +CMEE: 2 ^SCKS: 0,1 ^SSET: 0 OK

Table 2.2: Current configuration on MUX channels 2 and 3 (example)

PIN authentication done	No PIN authentication
ACTIVE PROFILE: E1 Q0 V1 X4 &C1 &D0 &S0 \Q0 S0:000 S3:013 S4:010 S5:008 +CR: 0 +CRC: 0 +CMGF: 0 +CSDH: 0 +CNMI: 0,0,0,0,1 +ILRR: 0 +IPR: 57600 +CMEE: 2 ^SMGO: 0,0 +CSMS: 0,1,1,1 ^SACM: 0,"000000","000000" ^SCKS: 0,1 ^SSET: 0 +CREG: 0,1 +CLIP: 0,2 +CAOC: 0 +COPS: 0,0,"operator" +CGSMS: 3 OK	ACTIVE PROFILE: E1 Q0 V1 X4 &C1 &D0 &S0 \Q0 S0:000 S3:013 S4:010 S5:008 +CR: 0 +ILRR: 0 +IPR: 57600 +CMEE: 2 ^SCKS: 0,1 ^SSET: 0 +CGSMS: 3 OK

2.3 AT&W Stores current configuration to user defined profile

AT&W stores the currently set parameters to a user defined profile in the non-volatile memory.

Syntax

Exec Command

```
AT&W[<value>]
```

Response(s)

```
OK
```

```
ERROR/+CME ERROR <err>
```

PIN	ASC0	MUX1	MUX2	MUX3
<input type="radio"/>	<input checked="" type="radio"/>	<input checked="" type="radio"/>	<input checked="" type="radio"/>	<input checked="" type="radio"/>

Reference(s)

```
V.25ter
```

Parameter Description

<value>^(num)

[0] Number of profile

Notes

- The user defined profile will be restored automatically after power-up. Use [ATZ](#) to restore user profile and [AT&F](#) to restore factory settings. Until the first use of [AT&W](#), [ATZ](#) works as [AT&F](#).
- User defined profiles in multiplex mode:
[AT&W](#) stores the current setting of each channel to the user profile, no matter on which of the three channels the command is executed. Each channel may have an individual profile.
- A list of parameters stored to the user profile can be found in Section [19.4, AT Command Settings storable with AT&W](#).

2.4 ATQ Set result code presentation mode

This parameter setting determines whether or not the TA transmits any result code to the TE. Information text transmitted in response is not affected by this setting.

Syntax

Exec Command

```
ATQ[<n>]
```

Response(s)

If <n>=0:

OK

If <n>=1:

(none)

PIN	ASC0	MUX1	MUX2	MUX3
<input type="radio"/>	<input checked="" type="radio"/>	<input checked="" type="radio"/>	<input checked="" type="radio"/>	<input checked="" type="radio"/>

Reference(s)

V.25ter

Parameter Description

<n>^{(num)(&W)(&V)}

[0]^(&F)

DCE transmits result code

1

Result codes are suppressed and not transmitted

2.5 ATV Set result code format mode

This command determines the contents of header and trailer transmitted with AT command result codes and information responses. Possible responses are described in Section 2.5.1, [Verbose and numeric result codes](#).

Syntax

```
Exec Command
ATV[<value>]

Response(s)
OK
ERROR
```



```
Reference(s)
V.25ter
```

Parameter Description

<value> ^{(num)(&W)(&V)}	
[0]	Information response: <text><CR><LF> Short result code format: <numeric code><CR>
1 ^(&F)	Information response: <CR><LF><text><CR><LF> Long result code format: <CR><LF><verbose code><CR>

2.5.1 Verbose and numeric result codes

Verbose format	Numeric format	Meaning
OK	0	Command executed, no errors
CONNECT	1	Link established
RING	2	Ring detected
NO CARRIER	3	Link not established or disconnected
ERROR	4	Invalid command or command line too long
NO DIALTONE	6	No dial tone, dialling impossible, wrong mode
BUSY	7	Remote station busy
CONNECT 2400/RLP	47	Link with 2400 bps and Radio Link Protocol

Verbose format	Numeric format	Meaning
CONNECT 4800/RLP	48	Link with 4800 bps and Radio Link Protocol
CONNECT 9600/RLP	49	Link with 9600 bps and Radio Link Protocol
CONNECT 14400/RLP	50	Link with 14400 bps and Radio Link Protocol
ALERTING		Alerting at called phone
DIALING		Mobile phone is dialing

2.6 ATX Set CONNECT result code format and call monitoring

ATX determines whether or not the TA detects the presence of dial tone and busy signal and whether or not TA transmits particular result codes.

Syntax

```
Exec Command
ATX[<value>]

Response(s)
OK
ERROR
```



```
Reference(s)
V.25ter
```

Parameter Description

<value> ^{(num)(&W)(&V)}	Description
[0]	CONNECT result code only returned, dial tone and busy detection are both disabled.
1	CONNECT <text> result code only returned, dial tone and busy detection are both disabled.
2	CONNECT <text> result code returned, dial tone detection is enabled, busy detection is disabled.
3	CONNECT <text> result code returned, dial tone detection is disabled, busy detection is enabled.
4 ^(&F)	CONNECT <text> result code returned, dial tone and busy detection are both enabled.

2.7 ATZ Set all current parameters to user defined profile

ATZ sets all current parameters to the user profile stored with **AT&W**. If a connection is in progress, it will be terminated.

All defined GPRS contexts which are not activated or not online will be undefined (see **AT+CGDCONT**, **AT+CGQREQ** and **AT+CGQMIN** command).

The user defined profile is stored to the non-volatile memory.

Syntax

Exec Command

```
ATZ[<value>]
```

Response(s)

```
OK
```

PIN	ASC0	MUX1	MUX2	MUX3
<input type="radio"/>	<input checked="" type="radio"/>	<input checked="" type="radio"/>	<input checked="" type="radio"/>	<input checked="" type="radio"/>

Reference(s)

```
V.25ter
```

Parameter Description

<value>^(num)

[0]	Reset to user profile
-----	-----------------------

Notes

- First the profile will be set to factory default (see **AT&F**). If there is a valid user profile (stored with **AT&W**), this profile will be loaded afterwards.
- Any additional commands on the same command line may be ignored. A delay of 300 ms is required before next command is sent, otherwise "OK" response may be corrupted.

2.8 AT+CFUN Set phone functionality

This command serves to control the functionality level of the ME. It can be used to reset the ME, to choose one of the SLEEP modes or to return to full functionality.

Intended for power saving, SLEEP mode reduces the functionality of the ME to a minimum and thus minimizes the current consumption. SLEEP mode falls in two categories:

- NON-CYCLIC SLEEP mode `<fun>=0`
- and CYCLIC SLEEP modes, selectable as `<fun>= 5, 6, 7 or 8`.

NON-CYCLIC SLEEP mode permanently blocks the serial interface. The CYCLIC SLEEP mode, however, is a dynamic process which alternately enables and disables the serial interface. The major benefit of all CYCLIC SLEEP modes is that the serial interface remains accessible and that, in intermittent wake-up periods, characters can be sent or received without terminating the selected mode. The best choice is using `<fun>= 5, 6, 7 or 8`, since in these modes MC35i automatically resumes power saving, after you have sent or received a short message or made a call. `<fun>=5 or 6` do not offer this feature to the same extent and are only supported for compatibility with earlier releases. In all CYCLIC SLEEP modes, you can enter `<fun>=1` to permanently wake up MC35i and take it back to full functionality. Please refer to Section 2.8.1, [Wake up the ME from SLEEP mode](#) for a summary of all SLEEP modes and the different ways of waking up the module.

For CYCLIC SLEEP mode (`<fun>= 5, 6, 7 or 8`) both the ME and the application must be configured to use hardware flow control. This is necessary since the CTS signal is set/reset every time when the ME listens to a paging message from the base station. This is the way how the module indicates to the application when the UART is active. For detailed information on the timing of the CTS signal refer to [2]. The default setting of hardware flow control is `AT\Q0` which must be altered to `AT\Q3`. For use after restart you are advised to add it to the user profile saved with `AT&W`.

Syntax

Test Command

```
AT+CFUN=?
```

Response(s)

```
+CFUN: (list of supported <fun>s) , (list of supported <rst>s)  
OK
```

Read Command

```
AT+CFUN?
```

Response(s)

```
+CFUN: <fun>  
OK
```

Write Command

```
AT+CFUN=[<fun>[, <rst>]]
```

Response(s)

```
OK  
ERROR  
+CME ERROR
```

PIN	ASC0	MUX1	MUX2	MUX3
<input type="radio"/>	<input checked="" type="radio"/>	<input type="radio"/>	<input type="radio"/>	<input type="radio"/>

Reference(s)
GSM 07.07

Command Description

The test command returns the values of the supported parameters.

The read command returns the current functionality value.

The write command can be used to reset the ME, to choose one of the SLEEP modes or to return to full functionality.

Parameter Description

<fun> ^(num)	
0	<p>NON-CYCLIC SLEEP mode: In this mode, the AT interface is not accessible. Consequently, once you have set <fun> level 0, do not send further characters. Otherwise these characters remain in the input buffer and may delay the output of an unsolicited result code. The first wake-up event stops power saving and takes the ME back to full functionality level <fun>=1.</p>
[1] ^(&F)	<p>Full functionality. If the ME is in one of the CYCLIC SLEEP modes you can issue AT+CFUN=1 to stop power saving and return to full functionality. Keep in mind that, unlike the reset command described below, this action does not restart the ME but only changes the level of functionality. See parameter <rst> for details on the reset.</p>
5	<p>CYCLIC SLEEP mode: In this mode, the serial interface is shortly enabled during paging. If characters are recognized on the serial interface, the ME stays active for 2 seconds after the last character was sent or received.</p>
6	<p>CYCLIC SLEEP mode: In this mode, the serial interface is shortly enabled during paging. If characters are recognized on the serial interface, the ME stays active for 10 minutes after the last character was sent or received. To ensure that power saving takes effect immediately, the ME stays active for only 2 seconds after <fun>=6 was entered.</p>

- 7 CYCLIC SLEEP mode:
In this mode, the serial interface is shortly enabled during paging. If characters are recognized on the serial interface, the ME stays active for 2 seconds after the last character was sent or received. ME exits SLEEP mode only, if `AT+CFUN=1` is entered.
- 8 CYCLIC SLEEP mode:
In this mode, the serial interface is shortly enabled during paging. If characters are recognized on the serial interface, the ME stays active for 10 minutes after the last character was sent or received. ME exits SLEEP mode only, if `AT+CFUN=1` is entered.
To ensure that power saving takes effect immediately, the ME stays active for only 2 seconds after `<fun>=8` was entered.

`<rst>`^(num)

The parameter can only be used if the serial interface is enabled.

Due to the command syntax, you need to enter parameter `<fun>`, followed by `<rst>`, where `<fun>` is only a placeholder and has no effect. See examples below.

- [0] Placeholder for `<fun>` as stated above.
- 1 ME resets and restarts to full functionality. After reset and restart, PIN 1 authentication is necessary (`AT+CPIN`). If autobauding is enabled, it is recommended to wait 3 to 5 seconds before entering the first AT command. For details on autobauding refer to "Section 4.7.1, Autobauding".

Notes

- In Multiplex mode, the CFUN profile is shared by all multiplexer channels.
- If the ME is in Multiplexer mode, it is not recommended to activate SLEEP mode with `AT+CFUN=<fun>`. The best approach to properly control SLEEP mode in this case is to issue the PSC messages described in [6], Section "Power saving control".
- When a circuit-switched call is in progress, `<fun>=7` or `8` can be activated without terminating the call. However, setting `<fun>=0, 5` or `6` during a circuit-switched call immediately disconnects this call.
- Please keep in mind that power saving works properly only when PIN authentication has been done. If you attempt to activate power saving while the SIM card is not inserted or the PIN is not correctly entered, the selected `<fun>` level will be set, though power saving does not take effect. For the same reason, power saving cannot be used if MC35i operates in Alarm mode. Furthermore, in order to accept incoming calls, SMS or network related URCs in SLEEP mode the ME must be registered when it enters the SLEEP mode.
- To check whether power saving is on, you can query the status with the read command `AT+CFUN?` only if the module is in full functionality mode or in CYCLIC SLEEP mode. If available, you can also take advantage of the status LED controlled by the SYNC pin (see `AT^SSYNC` and [2]). The LED remains "off" while the module is in any of the SLEEP modes. However, the module can wake up temporarily from power saving without leaving its CYCLIC SLEEP mode (without changing `+CFUN "<fun>"`), e.g. for a network scan after a loss of radio coverage, or after receipt of serial data during CYCLIC SLEEP mode. During this "temporary wakeup state" the LED will operate as if the ME was in full functionality mode.
- Recommendation: In NON-CYCLIC SLEEP mode, you can set an RTC alarm to wake up the ME and return to full functionality. This is a useful approach because, in this mode, the AT interface is not accessible.

Examples

EXAMPLE 1

To check the level of functionality use the read command:

```
AT+CFUN?  
+CFUN: 1                Default mode after ME was restarted
```

Remember that the AT interface is not accessible in NON-CYCLIC SLEEP mode. Consequently, the read command is only useful when the ME is set to full functionality or, when `<fun>` is set to 5, 6, 7 or 8.

```
AT+CFUN?  
+CFUN: 5                CYCLIC SLEEP mode
```

EXAMPLE 2

To set the ME to NON-CYCLIC SLEEP mode enter

```
AT+CFUN=0  
OK
```

When, for example, an SMS is being received and indicated by an unsolicited result code (URC), the ME wakes up to full operation.

```
+CMTI: "SM", 5
```

Note that the URC used in this example will appear only, if `AT+CNMI=1,1` was configured before. After this, you may want to verify the operating status:

```
AT+CFUN?  
+CFUN: 1                Indicates that ME has entered full functionality mode.
```

EXAMPLE 3

To stop CYCLIC SLEEP mode and return to full functionality:

```
AT+CFUN?  
+CFUN: 5  
OK  
AT+CFUN=1  
OK
```

Remember that this approach is not applicable to the NON-CYCLIC SLEEP mode (since the serial interface is disabled). The NON-CYCLIC SLEEP mode ends with the first wake-up event.

EXAMPLE 4

To reset and restart the ME:

```
AT+CFUN=1,1            or alternatively, AT+CFUN=0,1 or 5,1 or 6,1 or 7,1 or 8,1  
OK  
^SYSSTART              The ^SYSSTART URC confirms that the ME has been rebooted. Note  
                        that ^SYSSTART appears only if AT+IPR ≠ 0. If the ME is in autobaud  
                        mode, it is recommended to wait 3 to 5 seconds before entering the first  
                        AT command. Remember to enter the SIM PIN after restart.
```

2.8.1 Wake up the ME from SLEEP mode

A wake-up event is any event that causes the ME to draw current. Depending on the selected mode, the wake-up event either switches the SLEEP mode off and takes the ME back to full functionality `AT+CFUN=1`, or activates the ME temporarily without terminating the selected SLEEP mode.

Definitions of the state transitions described in Table 2.3, [Wake-up events in NON-CYCLIC and CYCLIC SLEEP modes](#):

- Quit: ME exits SLEEP mode.
- Temporary: ME becomes active temporarily for the duration of the event and the mode-specific follow-up time after the last character was sent or received on the serial interface.
- No effect: Event is not relevant in the selected SLEEP mode. The ME does not wake up.

Table 2.3: Wake-up events in NON-CYCLIC and CYCLIC SLEEP modes

Event	Selected mode: <fun>=0	Selected mode: <fun>=5 or 6	Selected mode: <fun>=7 or 8
Ignition line	No effect	No effect	No effect
/RTS0	Quit	No effect (RTS is only used for flow control)	No effect (RTS is only used for flow control)
Unsolicited Result Code (URC)	Quit	Quit	Temporary
Incoming voice or data call	Quit	Quit	Temporary
Any AT command (incl. outgoing SMS, voice or data call)	Not possible (UART disabled)	Temporary	Temporary
Incoming SMS (<code>AT+CNMI</code> is set to 0,0 (this is the default setting))	No effect	No effect	No effect
Incoming SMS (<code>AT+CNMI</code> is set to 1,1)	Quit	Quit	Temporary
GPRS data transfer	Not possible (UART disabled)	Temporary	Temporary
RTC alarm line	Quit	Quit	Temporary
<code>AT+CFUN=1</code>	Not possible (UART disabled)	Quit	Quit

2.9 AT^SMSO Switch off mobile station

[AT^SMSO](#) initiates the power-off procedure. Low level of the module's VDD pin and the URC "[^SHUTDOWN](#)" verifies that the procedure has completed and the module has entered the POWER DOWN mode. Therefore, be sure not to disconnect the operating voltage until VDD is low or until the URC "[^SHUTDOWN](#)" is displayed. Otherwise, you run the risk of losing data. For further details on how to turn off the module see the [\[2\]](#).

Syntax

Test Command

```
AT^SMSO=?
```

Response(s)

```
OK
```

Exec Command

```
AT^SMSO
```

Response(s)

```
^SMSO: MS OFF
```

```
OK
```

PIN	ASC0	MUX1	MUX2	MUX3
<input type="radio"/>	<input checked="" type="radio"/>	<input checked="" type="radio"/>	<input checked="" type="radio"/>	<input checked="" type="radio"/>

Reference(s)

```
SIEMENS
```

Unsolicited Result Code

```
^SHUTDOWN
```

Indicates that the power-off procedure is finished and the module will be switched off within 1 second.

Notes

- Do not send any other AT command after [AT^SMSO](#).
- If [AT^SMSO](#) is entered on one of the Multiplexer channels the ME closes the Multiplexer channels, terminates the Multiplexer and deactivates all other functions. Then, the URC "[^SHUTDOWN](#)" will be issued on the physical serial interface (ASC0). The URC will be transmitted at the bit rate last activated on ASC0 for use with the Multiplex driver.

2.10 AT+GCAP Request complete TA capabilities list

[AT+GCAP](#) returns a list of additional capabilities.

Syntax

Test Command

```
AT+GCAP=?
```

Response(s)

```
OK
```

Exec Command

```
AT+GCAP
```

Response(s)

```
+GCAP: <name>
```

```
OK
```

PIN	ASC0	MUX1	MUX2	MUX3
<input type="radio"/>	<input checked="" type="radio"/>	<input checked="" type="radio"/>	<input checked="" type="radio"/>	<input checked="" type="radio"/>

Reference(s)

```
V.25ter
```

Parameter Description

<name>^(str)

e.g.: +CGSM,+FCLASS

Note

- +CGSM: The response text shows which GSM commands of the ETSI standard are supported.

2.11 AT+CMEE Mobile Equipment Error Message Format

AT+CMEE controls the format of the error result code +CME ERROR: <err> that indicates errors relating to ME functionality.

Possible error result codes are listed in Section 2.11.1, [CME ERRORS related to GSM 07.07](#), Section 2.11.2, [GPRS-related CME ERRORS](#) and Section 2.11.3, [CMS ERRORS related to GSM 07.05](#).

In multiplex mode (refer [AT+CMUX](#)) the setting applies only to the logical channel where selected. The setting on the other channels may differ.

Syntax

Test Command

AT+CMEE=?

Response(s)

+CMEE: (list of supported<errMode>s)

OK

Read Command

AT+CMEE?

Response(s)

+CMEE: <errMode>

OK

Write Command

AT+CMEE=<errMode>

Response(s)

OK

ERROR

+CME ERROR: <err>

PIN	ASC0	MUX1	MUX2	MUX3
<input type="radio"/>	<input checked="" type="radio"/>	<input checked="" type="radio"/>	<input checked="" type="radio"/>	<input checked="" type="radio"/>

Reference(s)

GSM 07.07

Parameter Description

<errMode>^{(num)(&W)(&V)}

0(&F)	Disable result code (only 'ERROR' will be displayed).
1	Enable error result code with numeric values.
2	Enable error result code with verbose (string) values.

Example

To obtain enhanced error messages it is recommended to choose `<errMode>=2`.

```
AT+CMEE=2
OK
```

2.11.1 CME ERRORS related to GSM 07.07

Code of <err>	Text (if AT+CMEE=2)
0	phone failure
1	no connection to phone
2	phone-adapter link reserved
3	Operation not allowed
4	Operation not supported
5	PH-SIM PIN required
6	PH-FSIM PIN required
7	PH-FSIM PUK required
10	SIM not inserted
11	SIM PIN required
12	SIM PUK required
13	SIM failure
14	SIM busy
15	SIM wrong
16	Incorrect password
17	SIM PIN2 required
18	SIM PUK2 required
20	Memory full
21	invalid index
22	not found
23	Memory failure
24	text string too long
25	invalid characters in text string
26	dial string too long
27	invalid characters in dial string
30	no network service
31	Network timeout
32	Network not allowed emergency calls only

Code of <err>	Text (if AT+CMEE=2)
40	Network personalization PIN required
41	Network personalization PUK required
42	Network subset personalization PIN required
43	Network subset personalization PUK required
44	service provider personalization PIN required
45	service provider personalization PUK required
46	Corporate personalization PIN required
47	Corporate personalization PUK required
48	Master Phone Code required
100	unknown
132	service option not supported
133	requested service option not subscribed
134	service option temporarily out of order
256	Operation temporary not allowed
257	call barred
258	phone is busy
259	user abort
260	invalid dial string
261	ss not executed
262	SIM blocked

2.11.2 GPRS-related CME ERRORS

Code of <err>	Text (if AT+CMEE=2)
103	Illegal MS
106	Illegal ME
107	GPRS services not allowed
111	PLMN not allowed
112	Location area not allowed
113	Roaming not allowed in this location area
148	unspecified GPRS error
149	PDP authentication failure
150	invalid mobile class

2.11.3 CMS ERRORS related to GSM 07.05

Code of <err>	Text (if AT+CMEE=2)
1	Unassigned (unallocated) number
8	Operator determined barring
10	Call barred
21	Short message transfer rejected
27	Destination out of service
28	Unidentified subscriber
29	Facility rejected
30	Unknown subscriber
38	Network out of order
41	Temporary failure
42	Congestion
47	Resources unavailable, unspecified
50	Requested facility not subscribed
69	Requested facility not implemented
81	Invalid short message transfer reference value
95	Invalid message, unspecified
96	Invalid mandatory information
97	Message type non-existent or not implemented
98	Message not compatible with short message protocol state
99	Information element non-existent or not implemented
111	Protocol error, unspecified
127	Interworking, unspecified
128	Telematic interworking not supported
129	Short message Type 0 not supported
130	Cannot replace short message
143	Unspecified TP-PID error
144	Data coding scheme (alphabet) not supported
145	Message class not supported
159	Unspecified TP-DCS error
160	Command cannot be actioned
161	Command unsupported
175	Unspecified TP-Command error
176	TPDU not supported
192	SC busy
193	No SC subscription

Code of <err>	Text (if AT+CMEE=2)
194	SC system failure
195	Invalid SME address
196	Destination SME barred
197	SM Rejected-Duplicate SM
198	TP-VPF not supported
199	TP-VP not supported
208	D0 SIM SMS storage full
209	No SMS storage capability in SIM
210	Error in MS
211	Memory Capacity Exceeded
212	SIM Application Toolkit Busy
213	SIM data download error
255	Unspecified error cause
300	ME failure
301	SMS service of ME reserved
302	Operation not allowed
303	Operation not supported
304	Invalid PDU mode parameter
305	Invalid text mode parameter
310	SIM not inserted
311	SIM PIN required
312	PH-SIM PIN required
313	SIM failure
314	SIM busy
315	SIM wrong
316	SIM PUK required
317	SIM PIN2 required
318	SIM PUK2 required
320	Memory failure
321	Invalid memory index
322	Memory full
330	SMSC address unknown
331	no network service
332	Network timeout
340	NO +CNMA ACK EXPECTED
500	Unknown error
512	User abort

Code of <err>	Text (if AT+CMEE=2)
513	unable to store
514	invalid status
515	invalid character in address string
516	invalid length
517	invalid character in pdu
518	invalid parameter
519	invalid length or character
520	invalid character in text
521	timer expired
522	Operation temporary not allowed

2.12 AT+CSCS Select TE character set

The [AT+CSCS](#) write command informs the TA which character set [<chset>](#) is used by the TE. This enables the TA to convert character strings correctly between TE and ME character sets. See also "Section 1.5, [Supported character sets](#)".

Note that when the TA-TE interface is set to 8-bit operation and the used TE alphabet is 7-bit, the highest bit will be set to zero.

Syntax

Test Command

```
AT+CSCS=?
```

Response(s)

```
+CSCS: (list of supported<chset>s)  
OK
```

Read Command

```
AT+CSCS?
```

Response(s)

```
+CSCS: <chset>  
OK
```

Write Command

```
AT+CSCS=[<chset>]
```

Response(s)

```
OK
```

PIN	ASC0	MUX1	MUX2	MUX3
<input type="radio"/>	<input checked="" type="radio"/>	<input checked="" type="radio"/>	<input checked="" type="radio"/>	<input checked="" type="radio"/>

Reference(s)

```
GSM 07.07, GSM 11.11
```

Parameter Description

<chset>^(str)

“GSM”^(&F)

GSM default alphabet (GSM 03.38 subclause 6.2.1);
Note: This setting may cause software flow control problems since the codes used to stop and resume data flow (XOFF = decimal 19, XON = decimal 17) are interpreted as normal characters.

“UCS2”

16-bit universal multiple-octet coded character set (ISO/IEC10646 [32]); UCS2 character strings are converted to hexadecimal numbers from 0000 to FFFF; e.g. "004100620063" equals three 16-bit characters with decimal values 65, 98 and 99, \$(AT R97)\$

2.13 AT^SM20 Set M20 compatibility mode

M20 is an earlier, widely used SIEMENS GSM engine. The `AT^SM20` command selects different modes of responses returned upon execution of the commands `ATD` and sms commands like e.g. `AT+CMGW`. Please note that the `AT^SM20` command has no effect on any other features and is not intended to adjust other differences between M20 and MC35i.

Syntax

Test Command

```
AT^SM20=?
```

Response(s)

```
OK
```

Read Command

```
AT^SM20?
```

Response(s)

```
^SM20: <CallMode>, <CmgwMode>
```

```
OK
```

Write Command

```
AT^SM20=<CallMode>[, <CmgwMode>]
```

Response(s)

```
OK
```

PIN	ASC0	MUX1	MUX2	MUX3
<input type="radio"/>	<input checked="" type="radio"/>	<input checked="" type="radio"/>	<input checked="" type="radio"/>	<input checked="" type="radio"/>

Reference(s)

```
SIEMENS
```


Parameter Description

<CallMode>^(num)

Call setup response mode

Applies only to voice calls.

- | | |
|-------|--|
| 0 | Set compatibility to Siemens mobile phones.
ME will return "OK" immediately after attempting a call with the ATD command.
In case of failure, additional call release indications, such as "NO DIAL TONE", "NO CARRIER", "BUSY" will follow. |
| 1(&F) | Default call setup mode, compatible to M20.
ME will return "OK" in case of a successful connection, otherwise one of the call release indications "NO DIAL TONE", "NO CARRIER", "BUSY" are indicated. |

<CmgwMode>^(num)

Response mode for sending and writing short messages

Applies to the sms commands like e.g. [AT+CMGS](#) and [AT+CMGW](#) command.

- | | |
|-------|---|
| 0 | Set compatibility to Siemens mobile phones.
ME will return +CMS ERROR: <err> when writing or sending of short messages fails. |
| 1(&F) | Default mode for sending and writing short messages, compatible to M20.
ME will return "OK", no matter whether or not sms command was successfully executed. |

3. Status Control Commands

The AT Commands described in this chapter allow the external application to obtain various status information from the MC35i.

3.1 AT+CMER Mobile Equipment Event Reporting

This command controls details of the "+CIEV" URC presentation related to AT^SIND and AT+CIND. If registered via these commands the URCs are sent whenever a value of the related indicator changes. After AT+CMER has been switched on, URCs for all registered indicators will be issued.

Syntax

Test Command

AT+CMER=?

Response(s)

+CMER: (list of supported <mode>s), (list of supported <keyp>s), (list of supported <disp>s), (list of supported <ind>s), (list of supported <bfr>s)
OK

Read Command

AT+CMER?

Response(s)

+CMER: <mode>, <keyp>, <disp>, <ind>, <bfr>
OK

Write Command

AT+CMER=[<mode>[, <keyp>[, <disp>[, <ind>[, <bfr>]]]]]

Response(s)

OK
ERROR
+CME ERROR

PIN	ASC0	MUX1	MUX2	MUX3
●	●	●	●	●

Reference(s)

GSM 07.07

Unsolicited Result Code

+CIEV: <indDescr>, <indValue>

A value of an indicator has changed.

Command Description

The read command returns the URC presentation mode <mode> and among others, the indicator event reporting status <ind>.

The write command enables and disables the presentation of "+CIEV: <indDescr>, <indValue>" URCs. <indDescr> refers to the name of a "+CIEV" indicator and <indValue> is the new value of this indicator. All registered indicator events will be issued to the TE.

Parameter Description

<mode>^(num)	
0(&F)	Discard "+CIEV" URCs.
1	Discard "+CIEV" URCs when TA-TE link is reserved, e.g. in online data mode. Otherwise they are forwarded directly to the TE.
2	Buffer "+CIEV" URCs in the TA while TA-TE link is reserved, e.g. in online data mode, and flush them to the TE afterwards. Otherwise they are forwarded directly to the TE.
3	Forward "+CIEV" URCs directly to the TE. If MC35i is in online data mode, URCs are signaled via sending BREAK (100ms) and stored in a buffer. Once it is back in command mode e.g. after +++ was entered, all URCs stored in the buffer will be output.
<keyp>^(num)	
0(&F)	Keypad event reporting is not supported by MC35i.
<disp>^(num)	
0(&F)	Display event reporting is not supported by MC35i.
<ind>^(num)	
0(&F)	Disable indicator event reporting.
2	Enable indicator event reporting.
<bfr>^(num)	
0(&F)	TA buffer of URCs defined within this command is cleared when <mode> 1..3 is entered.
<indDescr>^(str)	
Name of indicator; for a list of all supported indicators please refer to AT+CIND and AT^SIND .	
<indValue>^(num)	
Value of indicator; for a list of all values for the supported indicators please refer to AT+CIND and AT^SIND .	

Note

- If the ME operates on different instances (MUX channels 1, 2, 3) avoid different settings for routing and indicating SMS. For example, if messages shall be routed directly to one instance of the TE (set with [AT+CNMI](#), [AT^SSDA](#)), it is not possible to activate the presentation of URCs with [AT+CMER](#) or [AT+CNMI](#) on another instance. Any attempt to activate settings that conflict with existing settings on another interface, will result in CME ERROR, or accordingly CMS ERROR.

3.2 AT+CIND Indicator control

This command controls information about status changes via URC presentation of the MC35i or connected items, e.g. battery charge level, signal quality, service availability, sound generation, indication of unread short messages, full SMS storage, call in progress or roaming activities.

Use of this command is outdated since additional indications and functionality are available with [AT^SIND](#).

[AT+CIND](#) supports two ways to get the values related to indicators:

- Query the current status of each indicator by using the read command [AT+CIND?](#). It returns the status no matter whether the indicator has been registered with the write command [AT+CIND=\[<state>\[,<state>\[...\]\]\]](#).
- Evaluate one of the "+CIEV" URCs which the ME automatically sends to the application, whenever the value of the associated indicator changes.
The presentation of these URCs depends on two settings:
 - The indicators must be registered with the write command [AT+CIND=\[<state>\[,<state>\[...\]\]\]](#). By default, all of them are registered when the ME is switched on. Any URC can be excluded if deregistered with [<state>=0](#).
 - URC presentation must be enabled with [AT+CMER](#).

Syntax

Test Command

```
AT+CIND=?
```

Response(s)

```
+CIND: (<indDescr>, list of supported <indValue>s)[, (<indDescr>, list of supported <indValue>s)[, ...]]  
OK
```

Read Command

```
AT+CIND?
```

Response(s)

```
+CIND: <indValue>[, <indValue>[, ...]]  
OK  
ERROR  
+CME ERROR: <err>
```

Write Command

```
AT+CIND=<state>[, <state>[, ...]]
```

Response(s)

```
OK  
ERROR  
+CME ERROR: <err>
```

PIN	ASC0	MUX1	MUX2	MUX3
○	●	●	●	●

Reference(s)
GSM 07.07

Command Description

The read command returns the status of the ME indicators.

The write command is used to switch the event report for each indicator type. The Indicator Event Reports are displayed to the TE via "+CIEV" which can be enabled using [AT+CMER](#).

Parameter Description

`<indValue>(num)`

Integer type value, which shall be in range of corresponding `<indDescr>`

`<indDescr>(str)`

String values and their `<indValue>` ranges.

More indications are available via [AT^SIND](#). Therefore use of [AT^SIND](#) for control of all indications is recommended.

The following indications are accessible via [AT+CIND](#):

"battchg"	Battery charge level always equals 5, i.e. value is not relevant for MC35i
"signal"	Signalquality (0..7) or (99) if not measurable. The indicated value is the bit error rate of the signal received. If there are bit errors this is not a constant but a estimated value which will change in time. See also AT+CSQ .
"service"	Service availability (0-1) 0: Not registered to any network 1: Registered to home network or, if "roam"=1 then registered to another network
"sounder"	Sounder activity (0-1). The indicator provides information about tones generated in the ME. Value 1 means for example: Incoming call - ME is ringing. Note that the URC "+CIEV: sounder" indicator will be output only if ringing tones are activated with AT^SRTC . Waiting call - ME generates waiting call tone (if call waiting is enabled). Outgoing call - ME generates Call Progress tone. Outgoing call - ME generates BUSY tone. The value changes to 0 if tone stops
"message"	Unread short message at memory location <code><mem1></code> (0-1); refer to AT+CPMS
"call"	Call in progress (0-1). Indicator value is "1" if at least one call is in state "active" or "held".
"roam"	Roaming indicator (0-1) 0: Registered to home network or not registered 1: Registered to other network

"smsfull"	A short message memory storage in the MT has become full (1) or memory locations are available (0), i.e. range is (0-1)
"rsi"	Received signal (field) strength (0..5) or (99) if not measurable. 0: signal strength <= -112 dbm 1-4: signal strength in 15 dbm steps 5: signal strength >= -51 dbm Received signal (field) strength can also be obtained with AT+CSQ . However, the signal strength is scaled to value range 0..31 by this command.

<code><state>^(num)</code>	
0	Indicator is deregistered. The indicator will not be presented as "+CIEV" URC, but can be queried with AT+CIND? .
[1] ^(P)	Indicator is registered, indicator event report allowed.

Notes

- Due to its restrictive range of values, there are events when it is not entirely clear from the context, which event has led to the output of indicator "call". Rather than as an information in itself, indicator "call" should therefore be used as a trigger to look up the new call status in the list of current calls with AT commands [AT+CLCC](#) or [AT^SCNI](#).
- The indicator "sounder" signals every event a tone is generated in the ME. For instance, if a waiting call produces a tone, this will be indicated.
- If the ME is switched on all indicators are in registered state.
- Use [AT+CMER](#) command to allow Indicator Event Report of all registered indicators.

Example

```

^SYSSTART
AT+CPIN=9999
OK
AT+CIND?
+CIND: 5,99,1,0,0,0,0,0
The battery is either full or no battery is connected to the ME. The bit error rate of the signal quality is not available (since there is no call in progress). The ME is registered to its home network.

OK
AT+CMER=2,0,0,2
Now activate the Indicator Event Report with AT+CMER.

OK
+CIEV: battchg,5
+CIEV: signal,99
+CIEV: service,1
+CIEV: sounder,0
+CIEV: message,0
+CIEV: call,0
+CIEV: roam,0
+CIEV: smsfull,0
+CIEV: rssi,5
Receive with full signal field strength.

```

ATD0123456;	Make a call.
OK	
+CIEV: sounder,1	Receive a set of "+CIEV" URCs reports.
+CIEV: call,1	
+CIEV: sounder,0	
+CIEV: call,0	The receiver hangs up.
NO CARRIER	
AT+CIND=,,,0,,0	Deregister the indicators "call" and "sounder".
OK	
ATD0123456;	Rebuild the same call.
OK	
	This time, no URCs are displayed.
NO CARRIER	

3.3 AT^SIND Extended Indicator Control

AT^SIND supplies extended event indicator control and

- offers greater flexibility than standard AT+CIND,
- offers several extra indicators,
- can show the current status of all indicators supported by AT+CIND and AT^SIND,
- gives the possibility to register or deregister the indicators of both commands,
- displays all indicator event reports via "+CIEV" URCs.

Presentation mode of the generated URCs is controlled via AT+CMER.

AT^SIND read command provides a list of all indicators supported by AT+CIND and AT^SIND. Each indicator is represented with its registration mode and current value.

The write command can be used to select a single indicator in order to modify its registration and to view the current value.

Syntax

Test Command

```
AT^SIND=?
```

Response(s)

```
^SIND: (<indDescr>, list of supported <indValue>s)[, (<indDescr>, list of supported <indValue>s)[, ...]], (list of supported <Mode>s)  
OK
```

Read Command

```
AT^SIND?
```

Response(s)

```
^SIND: <indDescr>, <Mode>, <indValue>  
[^SIND: <indDescr>, <Mode>, <indValue>]  
...  
OK  
ERROR  
+CME ERROR: <err>
```

Write Command

```
AT^SIND=<indDescr>, <Mode>
```

Response(s)

```
^SIND: <indDescr>, <Mode>, <indValue>  
OK  
ERROR  
+CME ERROR: <err>
```



Unsolicited Result Code

Standard Indicator Format

+CIEV: <indDescr>, <indValue>

Value related to an indicator has changed.

Parameter Description

<indValue>^(num)

Integer type value in the range stated below for the corresponding <indDescr>.

<indDescr>^(str)

String values and their <indValue> ranges.

All indicators supported by AT+CIND are accessible with this command, too. A detailed description of these indicators can be found there.

The following indicators are accessible via AT^SIND only:

- | | |
|------------|---|
| "netlost" | 0 .. Network registration or location update succeeded.
1 .. Network registration or location update failed because of bad uplink connection. |
| "ciphcall" | <p>Ciphering Status Change Indication</p> <p>As stated in GSM specifications 02.07 and 02.09 the ciphering indicator feature allows the MC35i to detect that ciphering is not switched on and to indicate this to the user.</p> <p>The ciphering indicator feature may be disabled by the home network operator setting data in the "administrative data" field (EF_{AD}) in the SIM, as defined in GSM 11.11.</p> <p>If this feature is not disabled by the SIM, then whenever a connection is in place, which is, or becomes unenciphered, an indication shall be given to the user. This enables the user's decision how to proceed.</p> <p>Read command returns valid ciphering status only if a call is in progress or active.</p> <p>If EF_{AD} setting disables the ciphering indicator feature read command always indicates a ciphered link and no URC presentation will take place.</p> <p>Note:</p> <p>The following restrictions apply if the same serial channel is used for AT^SIND "ciphcall" indication and for the action triggering this URC. In general, the recommended solution is to use a dedicated channel for all status signalling via URCs.</p> <ul style="list-style-type: none">• If an unciphered mobile originated SMS is performed, AT^SIND "ciphcall" URCs on the same serial channel will be issued after the related "OK" and indicate the ciphering state at <i>this</i> time. Because the SMS is already sent at this time, two URCs will be issued on this channel, but both are indicating that ciphering is enabled.• If an unciphered mobile originated data call is performed, AT^SIND "ciphcall" URCs on the same serial channel will be issued after the interface is no longer blocked by the call (call is released or temporarily stopped) and indicate the ciphering state at <i>this</i> time. <p>0 .. Current call or SMS is not ciphered.
1 .. Current call or SMS is ciphered.</p> |

<Mode>^(num)

0	Indicator is deregistered, i.e. no such indicator event report (URC) will be issued.
1	Indicator is registered. <ul style="list-style-type: none">• Indicator event reports are controlled via AT+CMER.• Indicators defined by AT^SIND remain deregistered until explicitly enabled.• On the other hand indicators supported by AT+CIND are registered while the MC35i is powered up.
2	Query the registration status and the current value of a single indicator type.

3.4 AT+CEER Extended Error Report

AT+CEER returns an extended error report regarding the reason of the last

- call release
- failure to set up a call (both mobile originated or terminated)
- failure to modify a call by using Supplementary Services
- failed attempt to activate, register, query, deactivate or deregister a Supplementary Service
- unsuccessful GPRS attach or unsuccessful PDP context activation
- GPRS detach or PDP context deactivation

The release cause report is presented in numeric format. Default output in case of a none-error-situation is +CEER: 0,0,0. A description associated with each number can be found in the tables given in the following sub-clauses and the relevant GSM specifications.

The first parameter <locationID> serves to locate the other two parameters. Depending on the failure or release cause either <reason> or <ssRelease> are applicable, i.e. if <reason> ≠ 0, then <ssRelease> = 0. Vice versa, if <reason> = 0, then <ssRelease> may be ≠ 0.

AT+CEER is not available for data calls, please use ATSI8=1 instead.

Syntax

Test Command

```
AT+CEER=?
```

Response(s)

```
OK  
ERROR  
+CME ERROR
```

Exec Command

```
AT+CEER
```

Response(s)

```
+CEER: <locationID>, <reason>, <ssRelease>  
OK  
ERROR  
+CME ERROR
```

PIN	ASC0	MUX1	MUX2	MUX3
●	●	●	●	●

Reference(s)

GSM 07.07

Parameter Description

<locationID>^(num)

Location ID as number code. Location IDs are listed in Section 3.4.1, [Cause Location ID for the extended error report](#). Each ID is related with another table that contains a list of <reason>s or <ssRelease>s.

<reason>^(num)

Reason for last call release as number code. The number codes are listed in several tables, sorted by different categories in the following subclauses. The tables can be found proceeding from the Location ID given in Section 3.4.1, [Cause Location ID for the extended error report](#).

<ssRelease>^(num)

Release cause for last Supplementary Service call (listed in Section 3.4.9, [GSM Release cause for Supplementary Service Call](#)) or last call related use of a Supplementary Service (listed in Section 3.4.10, [SIEMENS release cause for Call-related Supplementary Services \(CRSS\)](#)).

Examples

EXAMPLE 1

ATD"01751223344" ;	A mobile originated call is rejected by the remote party.
NO CARRIER	Call setup is terminated with NO CARRIER.
AT+CEER	To check the cause, the caller enters AT+CEER.
+CEER: 8,21,0	The Location ID 8 in Section 3.4.1 points to Section 3.4.6, where 21 = "Call rejected". 0 = "No error" as value of <ssRelease> stands for parameter is not applicable.
OK	

EXAMPLE 2

The user attempts to set up a multiparty call, though there are only two parties involved in the present conversation:

ATD"01751223344" ;	
OK	
AT+CHLD=2	
OK	
AT+CHLD=3	
+CME ERROR: operation temporary not allowed	
AT+CEER	
+CEER: 22,0,2	The Location ID 22 in Section 3.4.1 points to Section 3.4.10, where 2 = "Initial conditions not fulfilled (one active, one held call)". 0 = "No error" as value of <reason> stands for parameter is not applicable.
OK	

EXAMPLE 3

The user attempts to activate call barring. Activation is denied by the network since the password is blocked after previous failures to enter the password.

```
AT+clck=oi,1,"0000",3;
+CME ERROR: incorrect password
AT+CEER
+CEER: 35,0,43
```

The Location ID 35 in Section 3.4.1 points to Section 3.4.9, where 43 = "NumberOfPWAttemptsViolation" may mean that a wrong password has been entered for more than 3 times. 0 = "No error" as value of <reason> stands for parameter is not applicable.

OK

3.4.1 Cause Location ID for the extended error report

ID	Description
0	No error (default)
1	SIEMENS L2 cause
2	GSM cause for L3 Radio Resource Sublayer (GSM 04.08 annex F)
3	SIEMENS cause for L3 Radio Resource Sublayer
4	GSM cause for L3 Mobility Management (GSM 04.08 annex G)
5	SIEMENS cause for L3 Mobility Management
6	GSM cause for L3 Mobility Management via MMR-SAP (GSM 04.08 annex G)
7	SIEMENS cause for L3 Mobility Management via MMR-SAP
8	GSM cause for L3 Call Control (GSM 04.08 10.5.4.11 and annex H)
9	SIEMENS cause for L3 Call Control
11	SIEMENS cause for L3 Advice of Charge Entity
12	GSM cause for L3 SMS CP Entity
13	SIEMENS cause for L3 SMS CP Entity
14	GSM cause for L3 SMS RL Entity
15	SIEMENS cause for L3 SMS RL Entity
16	GSM cause for L3 SMS TL Entity
17	SIEMENS cause for L3 SMS TL Entity
18	SIEMENS cause for DSM Entity
21	GSM cause for L3 Call-related Supplementary Services
22	SIEMENS cause for L3 Call-related Supplementary Services
32	SIEMENS cause for Supplementary Services Entity
33	SIEMENS cause for Supplementary Services Manager
34	Network cause for Supplementary Services (GSM 04.08 10.5.4.11 and annex H)
35	Supplementary Services network error (GSM 04.80 3.6.6)
48	GSM cause for GPRS Mobility Management (GSM 04.08 annex G.6)

ID	Description
49	SIEMENS cause for GPRS Mobility Management
50	GSM cause for Session Management (GSM 04.08 annex I)
51	SIEMENS cause for Session Management
127	SIEMENS cause for protocol module or other local cause
128	Supplementary Services general problem (GSM 04.80 3.6.7)
129	Supplementary Services invoke problem (GSM 04.80 3.6.7)
130	Supplementary Services result problem (GSM 04.80 3.6.7)
131	Supplementary Services error problem (GSM 04.80 3.6.7)
241	SIEMENS cause for GPRS API
242	SIEMENS cause for Link Management
243	SIEMENS cause for Embedded Netcore (Internet Protocol Stack)

3.4.2 GSM release cause for L3 Radio Resource (RR)

Number	Description
0	Normal event
1	Abnormal release, unspecified
2	Abnormal release, channel unacceptable
3	Abnormal release, timer expired
4	Abnormal release, no activity on the radio path
5	Pre-emptive release
8	Handover impossible, timing advance out of range
9	Channel mode unacceptable
10	Frequency not implemented
65	Call already cleared
95	Semantically incorrect message
96	Invalid mandatory information
97	Message type non-existent or not implemented
98	Message type not compatible with protocol state
100	Conditional information element error
101	No cell allocation available
111	Protocol error unspecified

3.4.3 SIEMENS release cause for L3 Radio Resource (RR)

Number	Description
1	Racchs not answered
2	Racchs rejected
3	Access class of the SIM is barred by the network provider
4	SABM failure
5	Radio link counter expiry or PerformAbnormalRelease
6	Confirm ABORT of the MM
7	Respond to DEACT REQ
8	Loss of coverage
9	Reestablishment not possible

3.4.4 GSM release cause for Mobility Management (MM)

Number	Description
Causes related to MS identification	
2	IMSI unknown in HLR
3	Illegal MS
4	IMSI unknown in VLR
5	IMEI not accepted
6	Illegal ME
Cause related to subscription options	
11	PLMN not allowed
12	Location Area not allowed
13	Roaming not allowed in this location area
Causes related to PLMN specific network failures and congestion	
17	Network failure
22	Congestion
Causes related to nature of request	
32	Service option not supported
33	Requested service option not subscribed
34	Service option temporarily out of order
38	Call cannot be identified
Causes related to invalid messages	
95	Semantically incorrect message
96	Invalid mandatory information
97	Message type non-existent or not implemented

Number	Description
98	Message not compatible with protocol state
99	Information element non-existent or not implemented
100	Conditional information element error
101	Messages not compatible with protocol state
111	Protocol error, unspecified
Causes related GPRS	
7	GPRS services not allowed
8	GPRS services not allowed in combination with non-GPRS services
9	MS identity cannot be identified by the network
10	Implicitly detached
14	GPRS services not allowed in current PLMN
16	MSC temporarily unreachable

3.4.5 SIEMENS release cause for L3 Mobility Management (MM)

Number	Description
1	No SIM available
8	No MM connection
9	Authentication failure
11	MM performs detach
17	Registration failed and will be re-attempted in a short term
18	CM connection establishment failed
19	Registration failed and will be re-attempted in a long term
20	RR connection is released
21	MS tries to register
22	SPLMN is not available
23	An MTC is in progress
24	A PLMN scan is in progress
25	The MM is detached, the MS is in MS class C GPRS only

3.4.6 GSM release cause for L3 Call Control (CC)

Number	Description
0	No error
Normal class	
1	Unassigned (unallocated) number

Number	Description
3	No route to destination
6	Channel unacceptable
8	Operator determined barring
16	Normal call clearing
17	User busy
18	No user responding
19	User alerting, no answer
21	Call rejected
22	Number changed
25	Pre-emption
26	Non-selected user clearing
27	Destination out of order
28	Invalid number format (incomplete number)
29	Facility rejected
30	Response to STATUS ENQUIRY
31	Normal, unspecified
Resource unavailable class	
34	No circuit/channel available
38	Network out of order
41	Temporary failure
42	Switching equipment congestion
43	Access information discarded
44	Requested circuit/channel not available
47	Resource unavailable, unspecified
Service or option not available class	
49	Quality of service unavailable
50	Requested facility not subscribed
55	Incoming calls barred within the CUG
57	Bearer capability not authorized
58	Bearer capability not presently available
63	Service or option not available, unspecified
Service or option not implemented	
65	Bearer service not implemented
68	ACM equal or greater than ACMmax
69	Requested facility not implemented
70	Only restricted digital information bearer capability is available
79	service or option not implemented, unspecified

Number	Description
Invalid message (e.g. parameter out of range) class	
81	Invalid transaction identifier value
87	User not member of CUG
88	Incompatible destination
91	Invalid transit network selection
95	Semantically incorrect message
Protocol error (e.g. unknown message) class	
96	Invalid mandatory information
97	Message type non-existent or not implemented
98	Message type not compatible with protocol state
99	Information element non-existent or not implemented
100	Conditional information element error
101	Message not compatible with protocol
102	Recovery on timer expiry
111	Protocol error, unspecified
Interworking class	
127	Interworking, unspecified

3.4.7 SIEMENS release cause for L3 Call Control (CC)

Number	Description
1	Call dropped
2	Service not available
3	Hold procedure not available
4	Temporary no service, previous procedure not yet finished
5	No speech service available
6	Call reestablishment procedure active
7	Mobile received a release (complete) message during a modify procedure (modify reject)
8	Call clearing, because loss of radio connection, if no reestablishment is allowed (call not active)
10	Number not included in FDN list
Notifications	
300	Called party barred incoming call

3.4.8 SIEMENS release cause for L3 Advice of Charge (AOC)

Number	Description
1	SIM data not available
2	SIM does not support AOC
3	SIM data access error
4	ACM limit almost reached ACM range overflow
5	ACM range overflow

3.4.9 GSM Release cause for Supplementary Service Call

Number	Description
0	No error (default)
1	UnknownSubscriber
9	IllegalSubscriber
10	BearerServiceNotProvisioned
11	TeleserviceNotProvisioned
12	IllegalEquipment
13	CallBarred
15	CUGReject
16	IllegalSSOperation
17	SSErrorStatus
18	SSNotAvailable
19	SSSubscriptionViolation
20	SSIncompatibility
21	FacilityNotSupported
27	AbsentSubscriber
29	ShortTermDenial
30	LongTermDenial
34	SystemFailure
35	DataMissing
36	UnexpectedDataValue
37	PWRegistrationFailure
38	NegativePWCheck
43	NumberOfPWAttemptsViolation
71	UnknownAlphabet
72	USSDBusy
126	MaxNumsOfMPTYCallsExceeded

Number	Description
127	ResourcesNotAvailable
General Problem Codes	
300	Unrecognized Component
301	Mistyped Component
302	Badly Structured Component
Invoke Problem Codes	
303	Duplicate Invoke ID
304	Unrecognized Operation
305	Mistyped Parameter
306	Resource Limitation
307	Initiating Release
308	Unrecognized Linked ID
309	Linked Response Unexpected
310	Unexpected Linked Operation
Return Result Problem Codes	
311	Unrecognize Invoke ID
312	Return Result Unexpected
313	Mistyped Parameter
Return Error Problem Codes	
314	Unrecognized Invoke ID
315	Return Error Unexpected
316	Unrecognized Error
317	Unexpected Error
318	Mistyped Parameter

3.4.10 SIEMENS release cause for Call-related Supplementary Services (CRSS)

Number	Description
0	ECT procedure failed (timer expired)
1	Call has been cleared without receiving an answer to ECT request
2	Initial conditions not fulfilled (one active, one held call)
3	Received "return error"
4	Call has been cleared without receiving an answer to CCBS request
5	Initial conditions for CCBS not fulfilled (Idle CRSS)
Causes related to nature of request	
25	LLC or SNDTCP failure

Number	Description
26	Insufficient resources
27	Unknown or missing access point name
28	Unknown PDP address or PDP type
29	User authentication failed
30	Activation rejected by GGSN
31	Activation rejected, unspecified
32	Service option not supported
33	Requested service option not subscribed
34	Service option temporarily out of order
35	NSAPI already used
36	Regular PDP context deactivation
37	QoS not accepted
38	Network failure
39	Reactivation requested
40	Feature not supported
Causes related to invalid messages	
81	Invalid transaction identifier value
95	Semantically incorrect message
96	Invalid mandatory information
97	Message type non-existent or not implemented
98	Message type not compatible with protocol state
99	Information element non-existent or not implemented
100	Conditional information element error
101	Message not compatible with protocol
111	Protocol error, unspecified

3.4.11 SIEMENS release cause for Session Management (SM)

Number	Description
3	The MS has not got any answer to the ACTIVATE PDP CONTEXT request message sent five times to the network
4	A MT PDP context which is active or in the activation process is deactivated because another MT PDP context with the same TI is requested by the network to be activated
5	A MT PDP context which is active or in the activation process is deactivated because another MT PDP context with the same TI is requested by the network to be activated. The activation request is rejected by the SM sending the cause 'insufficient resources' to the network because the SM was not able to perform the necessary comparisons for a static PDP address collision detection.

Number	Description
6	A MT PDP context which is active or in the activation process is deactivated because another MT PDP context with the same TI is requested by the network to be activated. As a static PDP address collision with an MO activating PDP context has been detected by the SM the SM discards the activation request
7	A MT PDP context request has been indicated but could not be processed in time. The activation request is rejected by the SM sending the cause 'insufficient resources' to the network.

3.4.12 GSM cause for L3 Protocol module or other local cause

Number	Description
2	No detailed cause

3.4.13 SIEMENS release cause for GPRS API

Number	Description
0	Regular deactivation of the call
1	Action temporarily not allowed
2	Wrong connection type
3	Specified data service profile invalid
4	PDP type or address is unknown
5	FDN Check was not successful; GPRS Attach and PDP Context Activation blocked
255	Undefined

3.4.14 SIEMENS release cause for Embedded Netcore

Number	Description
0	Regular call deactivation
1	LCP stopped
255	Undefined

3.5 ATS18 Extended call release report

ATS18 controls the presentation of extended call release reports for circuit switched fax and data calls. Extended call release reports related to voice calls are controlled via [AT+CEER](#).

The call release report is presented in numeric format and shows as follows:

```
+CAUSE: <locationID>, <reason>
```

If enabled the message will be reported every time a fax or data call is released or fails to be established.

Syntax

Read Command

```
ATS18?
```

Response(s)

```
<n>
```

```
OK
```

Write Command

```
ATS18=<n>
```

Response(s)

```
OK
```

```
ERROR
```

PIN	ASC0	MUX1	MUX2	MUX3
<input type="radio"/>	<input checked="" type="radio"/>	<input checked="" type="radio"/>	<input type="radio"/>	<input type="radio"/>

Reference(s)

```
V.25ter
```

Parameter Description

<n>^{(num)(&W)(&V)}

An odd number enables the presentation of the extended call release report. Any even number disables this feature.

0^(&F)...255

<locationID>^(num)

Location ID as number code, also refer to <locationID> of [AT+CEER](#). Location IDs are listed in Section 3.4.1, [Cause Location ID for the extended error report](#). Each ID is related to another table that contains a list of <reason>s.

`<reason>`^(num)

Reason for last call release as number code (see also `<reason>` of `AT+CEER`). `<reason>` numbers and the associated descriptions are listed in several tables, sorted by different categories at `AT+CEER`. The tables can be found proceeding from the Location IDs listed in Section 3.4.1, [Cause Location ID for the extended error report](#).

Examples

EXAMPLE 1

<code>ATS18=1</code>	Enables the presentation of extended call release reports.
<code>OK</code>	
<code>ATD03012345678</code>	Now, a mobile originated data call fails.
<code>+CAUSE: 8,17</code>	An extended error report is output, followed by the result code <code>BUSY</code> .
<code>BUSY</code>	The Location ID 8 stated in Section 3.4.1 points to Section 3.4.6, with 17 = "User busy".

EXAMPLE 2

<code>ATS18=1</code>	Enables the presentation of extended call release reports.
<code>OK</code>	
<code>ATD03012345678</code>	Now, a mobile originated data call is set up.
<code>CONNECT 9600/RLP</code>	
<code>Hello,</code>	
<code>+++</code>	Call ends after remote party hung up.
<code>+CAUSE: 8,16</code>	Normal call release is reported, followed by the result code <code>NO CARRIER</code> .
<code>NO CARRIER</code>	The Location ID 8 stated in Section 3.4.1 points to Section 3.4.6, with 16 = "Normal call clearing".

3.6 AT+CPAS Mobile equipment activity status

Syntax

Test Command

```
AT+CPAS=?
```

Response(s)

```
+CPAS: (list of supported<pas>s)  
OK
```

Exec Command

```
AT+CPAS
```

Response(s)

```
+CPAS: <pas>  
OK  
ERROR  
+CME ERROR: <err>
```

PIN	ASC0	MUX1	MUX2	MUX3
<input type="radio"/>	<input checked="" type="radio"/>	<input checked="" type="radio"/>	<input checked="" type="radio"/>	<input checked="" type="radio"/>

Reference(s)

GSM 07.07

Command Description

TA returns the activity status of ME.

Parameter Description

<pas>^(num)

0	ready
3	incoming call (ringing)
4	call in progress or call hold

3.7 AT+WS46 Select wireless network

Syntax

Test Command

```
AT+WS46=?
```

Response(s)

```
+WS46: (list of supported<n>s)  
OK
```

Read Command

```
AT+WS46?
```

Response(s)

```
<n>  
OK
```

Write Command

```
AT+WS46=[<n>]
```

Response(s)

```
OK  
ERROR  
+CME ERROR
```

PIN	ASC0	MUX1	MUX2	MUX3
<input type="radio"/>	<input checked="" type="radio"/>	<input checked="" type="radio"/>	<input checked="" type="radio"/>	<input checked="" type="radio"/>

Reference(s)

GSM 07.07

Parameter Description

<n>^(num)

12

GSM digital cellular

4. Serial Interface Control Commands

The AT Commands described in this chapter allow the external application to determine various settings related to the MC35i's serial interface.

4.1 AT\Q Flow control

Syntax

Exec Command

AT\Q[<n>]

Response(s)

OK

If RTS/CTS flow control is not supported by interface and <n> is 2 or 3:

ERROR

PIN ASC0 MUX1 MUX2 MUX3



Reference(s)

V.25ter

Parameter Description

<n>^{(num)(&W)(&V)}

[0] ^(&F)	disable flow control
1	XON/XOFF software flow control
2	only CTS by DCE
3	RTS/CTS hardware flow control Recommended for the following procedures: incoming or outgoing data calls, fax calls, MUX mode. Often, the initialization routine of Fax programs includes enabling RTS/CTS handshake, eliminating the need to issue AT\Q3 once again.

Notes

- When using XON/XOFF flow control (AT\Q1) in online mode, +++ should not be used while the data transmission is paused with XOFF. Before entering the command mode with +++ the paused transmission should be resumed using the XON character.
- For compatibility reasons, the AT\Q command can be used in Multiplex mode, though the settings will not take effect. However, be aware that whenever you use the AT\Q write command in Multiplex mode and then save the current configuration to the user profile with AT&W, the changed AT\Q setting will become active after restart.

4.2 AT&C Set circuit Data Carrier Detect (DCD) function mode

Syntax

```
Exec Command
AT&C[<value>]

Response(s)
OK
```

PIN	ASC0	MUX1	MUX2	MUX3
<input type="radio"/>	<input checked="" type="radio"/>	<input checked="" type="radio"/>	<input checked="" type="radio"/>	<input checked="" type="radio"/>

```
Reference(s)
V.25ter
```

Command Description

This parameter determines how the state of circuit 109(DCD) relates to the detection of received line signal from the distant end.

Parameter Description

<value> ^{(num)(&W)(&V)}	
[0]	DCD line is always ON
1 ^(&F)	DCD line is ON in the presence of data carrier only

4.3 AT&D Set circuit Data Terminal Ready (DTR) function mode

Syntax

```
Exec Command
AT&D[<value>]

Response(s)
OK
```

PIN	ASC0	MUX1	MUX2	MUX3
<input type="radio"/>	<input checked="" type="radio"/>	<input checked="" type="radio"/>	<input checked="" type="radio"/>	<input checked="" type="radio"/>

```
Reference(s)
V.25ter
```

Command Description

This parameter determines how the TA responds when circuit 108/2 (DTR) is changed from ON to OFF during data mode.

Parameter Description

<value> ^{(num)(&W)(&V)}	Description
[0]	TA ignores status of DTR.
1	ON->OFF on DTR: Change to command mode while retaining the connected call.
2 ^(&F)	ON->OFF on DTR: Disconnect data call, change to command mode. During state DTR = OFF is auto-answer off.

4.4 AT&S Set circuit Data Set Ready (DSR) function mode

Syntax

```
Exec Command
AT&S[<value>]

Response(s)
OK
```

PIN	ASC0	MUX1	MUX2	MUX3
<input type="radio"/>	<input checked="" type="radio"/>	<input checked="" type="radio"/>	<input checked="" type="radio"/>	<input checked="" type="radio"/>

```
Reference(s)
V.25ter
```

Command Description

This parameter determines how the TA sets circuit 107 (DSR) depending on the communication state of the TA interfacing TE.

Parameter Description

<value> ^{(num)(&W)(&V)}	
[0] ^(&F)	DSR line is always ON
1	TA in command mode: DSR is OFF. TA in data mode: DSR is ON.

4.5 ATE Enable command echo

Syntax

```
Exec Command  
ATE[<value>]  
  
Response(s)  
OK
```

PIN	ASC0	MUX1	MUX2	MUX3
<input type="radio"/>	<input checked="" type="radio"/>	<input checked="" type="radio"/>	<input checked="" type="radio"/>	<input checked="" type="radio"/>

```
Reference(s)  
V.25ter
```

Command Description

This setting determines whether or not the TA echoes characters received from TE during command state.

Parameter Description

<value>^{(num)(&W)(&V)}

[0]	Echo mode off
1 ^(&F)	Echo mode on

Note

- In case of using the command without parameter, <value> is set to 0.

4.6 AT+ILRR Set TE-TA local rate reporting

The command [AT+ILRR](#) controls whether or not the intermediate result code "+ILRR" is transmitted from the DCE to the DTE when a connection is set up. The result code indicates the local rate. It is reported before the final result code of the connection, e.g. CONNECT, is transmitted to the TE.

Syntax

Test Command

```
AT+ILRR=?
```

Response(s)

```
+ILRR: (list of supported <value>s)  
OK
```

Read Command

```
AT+ILRR?
```

Response(s)

```
+ILRR: <value>  
OK
```

Write Command

```
AT+ILRR=<value>
```

Response(s)

```
OK  
ERROR  
+CME ERROR
```

PIN	ASC0	MUX1	MUX2	MUX3
<input checked="" type="radio"/>	<input checked="" type="radio"/>	<input checked="" type="radio"/>	<input type="radio"/>	<input type="radio"/>

Reference(s)

V.25ter

Intermediate Result Code

```
+ILRR: <rate>
```

Indicates local port rate setting upon connection setup.

Parameter Description

<value>^{(num)(&W)(&V)}

0(&F)	Disables reporting of local port rate
1	Enables reporting of local port rate

`<rate>`^(num)

Port rate setting on connection (bps)

0 Autobauding (see Section [4.7.1](#), [Autobauding](#))

300

600

1200

2400

4800

9600

14400

19200

28800

38400

57600

115200

230400 (Not available if product is MC35i Terminal)

4.7 AT+IPR Set fixed local rate

The command [AT+IPR](#) can be used to set or query the DTE-DCE interface bit rate.

Syntax

Test Command

```
AT+IPR=?
```

Response(s)

```
+IPR: (list of supported auto-detectable <rate>s) , (list of supported fixed-only <rate>s)  
OK
```

Read Command

```
AT+IPR?
```

Response(s)

```
+IPR: <rate>  
OK
```

Write Command

```
AT+IPR=<rate>
```

Response(s)

```
OK  
ERROR  
+CME ERROR
```

PIN	ASC0	MUX1	MUX2	MUX3
<input type="radio"/>	<input checked="" type="radio"/>	<input type="radio"/>	<input type="radio"/>	<input type="radio"/>

Reference(s)

V.25ter

Command Description

The test command returns the values of the supported automatically detectable bit rates and the values of the supported fixed bit rates.

The read command returns the current bit rate of the interface.

The write command specifies the bit rate to be used for the interface. When you set a fixed-rate, make sure that both DTE (TE) and DCE (TA) are configured to the same rate. When you select autobauding, the DCE will automatically recognize the bit rate currently used by the DTE.

The setting is stored in the non-volatile memory and will be used whenever the engine is powered up again. However, in case of autobaud mode ([AT+IPR=0](#)) the detected DCE bit rate will not be saved and, therefore, needs to be resynchronized after restarting the GSM engine (see Section [4.7.1, Autobauding](#)).

Parameter Description

`<rate>`^{(num)&(V)}

bit rate per second (bps)

0^(D) Activates autobauding. See Section 4.7.1, [Autobauding](#) for further details.

300

600

1200

2400

4800

9600

14400

19200

28800

38400

57600

115200

230400 (Not available if product is MC35i Terminal)

Notes

- Factory default is autobauding enabled ([AT+IPR=0](#)). It will not be restored with [AT&F](#).
- The current setting of [AT+IPR](#) will be preserved when you download firmware (i.e. a firmware update does not restore the factory setting) or in the event of power failure.
- Generally, [AT+IPR](#) should be used as a standalone command. If nevertheless combinations with other commands on the same command line cannot be avoided, there are several constraints to be considered:
 - Avoid combinations with the AT commands listed in Section 1.4.2, [Combining AT commands on the same command line](#).
 - Take into account, that a delay of 100ms is required between the response to the last command (e.g. OK) and the next command on the same line.
 - When you enter [AT+IPR=0](#), autobauding will be activated after the response to the last command is received.
 - When local echo is active ([ATE1](#)) and you enter [AT+IPR=x](#) with other commands you may encounter the following problem: if switching to the new bit rate takes effect while a response is being transmitted, the last bytes may be sent with the new bit rate and thus, not properly transmitted. The following commands will be correctly sent at the new bit rate.
- In order to account for greater amounts of data it is recommended to choose a minimum bit rate of 2400 bps. If the ME is operated in Multiplex mode we suggest a minimum bit rate of 4800bps.
- A selected bit rate takes effect after the write commands returns OK (except for Multiplex mode).
- In Multiplex mode, the write command [AT+IPR=<rate>](#) will not change the bit rate currently used, but the new bit rate will be stored and becomes active, when the module is restarted.

4.7.1 Autobauding

To take advantage of autobaud mode specific attention must be paid to the following requirements:

- Synchronization between DTE and DCE
Ensure that DTE and DCE are correctly synchronized and the bit rate used by the DTE is detected by the DCE (ME). To allow the bit rate to be synchronized simply use an "AT" or "at" string. This is necessary
 - after you have activated autobauding
 - when you start up the GSM engine while autobauding is enabled. It is recommended to wait 3 to 5 seconds before sending the first AT character. Otherwise undefined characters might be returned.

If you want to use autobauding and autoanswer at the same time, you can easily enable the DTE-DCE synchronization, when you activate autobauding first and then configure the autoanswer mode ($ATS0 \neq 0$).

- Restrictions on autobauding operation
 - The serial interface shall be used with 8 data bits, no parity and 1 stop bit (factorysetting), e.g. 2 stop bits are not supported for autobaud mode.
 - The command `A/` cannot be used.
 - Only the strings "AT" or "at" can be detected (neither "At" nor "aT").
 - URCs that may be issued before the ME detects a new bit rate (by receiving the first AT character) will be sent at the previously detected bit rate or, after ME restart, at 57600 bps.
 - It is not recommended to switch to autobauding from a bit rate that cannot be detected by the the autobaud mechanism (e.g. 300 bps). Responses to `AT+IPR=0` and any commands on the same line might be corrupted.
 - MC35i Terminal version: autobauding should not be used at bitrates over 115200bps.
- Autobauding and bit rate after restart
The most recently detected bit rate is stored when the ME is powered down (with `AT^SMSO`). Therefore, each time the module is restarted the correct bit rate must be found as described above. Unless the bit rate is determined, the following constraints apply:
 - An incoming CSD call cannot be accepted. This must be taken into account when autobauding and autoanswer mode ($ATS0 \neq 0$) are enabled at the same time, especially if SIM PIN 1 authentication is done automatically and the setting $ATS0 \neq 0$ is stored to the user profile with `AT&W`.
 - Until the bit rate is found, URCs generated after restart will be output at 57600 bps. This applies only to user defined URCs, such as "+CREG", "CCWA", "^SCKS" etc. The URCs "^SYSSTART" and "^SYSSTART ALARM MODE" will not be indicated when autobauding is enabled.

Note: To avoid any problems caused by undetermined bit rates in the direction from DCE to DTE we strongly recommend to configure a fixed bit rate rather than autobauding.

- Autobauding and multiplex mode
If autobauding is active you cannot switch to multiplex mode (see `AT+CMUX`).

4.8 AT+CMUX Enter multiplex mode

Syntax

Test Command

AT+CMUX=?

Response(s)

+CMUX: (list of supported <mode>s)
OK

Read Command

AT+CMUX?

Response(s)

+CMUX: <mode>
OK
ERROR
+CME ERROR: <err>

Write Command

AT+CMUX=<mode>

Response(s)

OK
ERROR
+CME ERROR: <err>

PIN	ASC0	MUX1	MUX2	MUX3
<input type="radio"/>	<input checked="" type="radio"/>	<input type="radio"/>	<input type="radio"/>	<input type="radio"/>

Reference(s)

GSM 07.07, GSM 07.10

Command Description

Multiplex mode according to the ETSI TS 101 669 and GSM 07.10 enables one physical serial asynchronous interface to be partitioned into three virtual channels. This allows you to take advantage of up to 3 simultaneous sessions running on the serial interface. For example, you can send or receive data or make a call on the first channel, while the other two channels are free to control the module with AT commands.

The MC35i module incorporates an internal multiplexer and thus integrates all the functions needed to implement full-featured multiplex solutions. For the application on top, customers have the flexibility to create their own multiplex programs conforming to the multiplexer protocol. To help system integrators save the time and expense of designing multiplexer applications, SIEMENS AG offers WinMUX2k, a ready-to-use multiplex driver for Windows 2000 and Windows XP. Another approach is to develop customized solutions based on the sources of the WinMux2k driver.

Refer to [6] which provides a detailed description of the multiplex architecture and step-by-step instructions of how to install and configure the multiplex mode. The WinMUX2k driver and its source files can be supplied on

request. Please contact your local distributor to obtain the latest installation software and user's guide.

Parameter Description

<mode>^(num)

Multiplexer transparency mechanism

0 Basic option

<subset>^(num)

Subparameters defined in GSM07.07 are adjusted for control and logical channels as follows

0 UIH frames used only (control channel)

Notes

- The write command is used to enter the multiplex mode. The setup of the logical channels is initiated by the TE, i.e. the TE acts as initiator. This means that the TE shall ensure that logical channels are established before any further actions on the channels can be started.
- There is a timeout of five seconds, if the multiplexer protocol is enabled and no multiplexer control channel is established. The GSM engine returns to AT command mode.
- The parameter maximum frame size (N1) of AT+CMUX in GSM07.10 is fixed to 97 and cannot be changed. All other parameters are not available.

4.8.1 Restrictions on Multiplex mode

In multiplex mode, CSD and fax calls can only be set up on logical channel 1. Due to this restriction, AT commands have a different behavior on channels 2+3 compared to channel 1. Several commands are not available, others return different responses. This section summarizes the concerned commands. For general rules and restrictions to be considered in Multiplex mode please refer to [6].

Table 4.1: Availability of AT Commands on Virtual Channels

Command	Behavior on channel 1	Behavior on channel 2+3
+++	not usable, but see note ²⁾	not usable, but see note ²⁾
AT+CBST	as described	not usable
AT+CRLP	as described	not usable
AT+CG... (GPRS commands)	as described	see note ³⁾
AT+F... (Fax commands)	as described	not usable
AT&S	as described	not usable
ATA	as described	no Data Calls
ATD	as described	no Data Calls
ATDI	as described	not usable
ATL	as described	not usable
ATM	as described	not usable
ATO	as described	not usable

Command	Behavior on channel 1	Behavior on channel 2+3
ATS0 ¹⁾	as described	only <n>=000
ATS6 ¹⁾	as described	not usable
ATS7 ¹⁾	as described	not usable
ATS8 ¹⁾	as described	not usable
ATS10 ¹⁾	as described	not usable
ATS18 ¹⁾	as described	not usable

- 1) Siemens GSM engines support the registers S0 - S29. You can change S0,S3,S4,S5,S6,S7,S8,S10 and S18 using the related ATSn commands (see starting from [ATS0](#)). The other registers are read-only and for internal use only!
- 2) The applicability of the +++ escape sequence depends on the customer's external application based on the Multiplexer Protocol. Recommendations for implementing an appropriate modem status command (MSC) are provided in [\[6\]](#), Section "Escape Sequence".
- 3) PDP contexts can be defined on any channel, but are visible and usable only on the channel on which they are defined (thus it is not possible to define a context on channel 2 and activate it on channel 3). GPRS connections can be established on two channels at a time.

Table 4.2: Summary of AT commands with Different Behavior in Multiplex Mode

Command	Description
AT\Q	It is recommended to use hardware flow control (AT\Q3). XON/XOFF flow control (AT\Q1) is not supported in Multiplex mode. See note regarding AT\Qn settings stored with AT&W if Multiplex mode is active.
AT&V	Different default configurations on channels 1, 2 and 3.
AT&W	Different user profiles can be stored on each channel.
AT+IPR	Before you start Multiplex mode, it is recommended to set the ME to 57600 bps (minimum should be 4800 bps). For GPRS we suggest to use 115200 bps or 230400 bps. In Multiplex mode, the write command AT+IPR=<rate> will not change the bit rate currently used, but the new bit rate will be stored and becomes active, when the module is restarted.
AT+IPR=0	Multiplex mode cannot be activated while autobauding is enabled.
AT+CALA	On each channel an individual <text> message can be stored. but only one time setting applies to all channels. This means an alarm <time> set on one of the channels overwrites the time setting on all remaining channels. Therefore, the total number of alarm events returned by the read command AT+CALA? will always be <n>=0, no matter whether individual text messages are stored. When the alarm is timed out and executed the ME sends the URC only on the channel where the most recent alarm setting was made. The alarm time will be reset to "00/01/01,00:00:00" on all channels.
AT+CMEE	Presentation mode can be separately configured for each channel.
AT+CNMA	If Multiplex mode is activated the +CNMI parameter will be set to zero on all channels, if one channel fails to acknowledge an incoming message within the required time.
AT+CNMI	Phase 2+ parameters can only be used on one channel. The parameter for <mt> and <ds> on the other channels have to be set to zero. If either a SM or a Status Report is not acknowledged, all +CNMI parameter will be set to zero on all channels.

Command	Description
AT+CFUN	If the ME is in Multiplexer mode, it is not recommended to activate SLEEP mode with AT+CFUN=<fun> . The best approach to properly control SLEEP mode in this case is to issue the PSC messages described in [6] , Section "Power saving control (PSC)".
AT+CPMS	Parameter <mem3> will be the same on all instances, but the settings of <mem1> and <mem2> may vary on each instance.
AT^SSDA	If one instance is set to <da>=1 and <mt>=1 , then all other instances must be configured for <mt>=0 .

5. Security Commands

The AT Commands described in this chapter allow the external application to determine various security related settings.

5.1 AT+CPIN Enter PIN

Syntax

Test Command

```
AT+CPIN=?
```

Response(s)

```
OK
```

Read Command

```
AT+CPIN?
```

Response(s)

```
+CPIN: <code>
```

```
OK
```

```
ERROR
```

```
+CME ERROR: <err>
```

Write Command

```
AT+CPIN=<pin>[, <new pin>]
```

Response(s)

```
OK
```

```
ERROR
```

```
+CME ERROR: <err>
```

PIN	ASC0	MUX1	MUX2	MUX3
<input type="radio"/>	<input checked="" type="radio"/>	<input checked="" type="radio"/>	<input checked="" type="radio"/>	<input checked="" type="radio"/>

Reference(s)

```
GSM 07.07
```

Command Description

The read command returns an alphanumeric string indicating whether or not a password is required.

The write command lets the ME store the entered password. This may be for example the SIM PIN1 to register to the GSM network, or the SIM PUK1 to replace a disabled PIN with a new one, or the PH-SIM PIN if the client has taken precautions for preventing damage in the event of loss or theft etc. See above for the list of passwords.

If no PIN request is pending (for example if PIN authentication has been done and the same PIN is entered again) ME responds +CME ERROR: operation not allowed. No action is required from your part.

Parameter Description

`<pin>`^(str)

Password (string type), usually SIM PIN1.

If the requested password was a PUK, such as SIM PUK1 or PH-FSIM PUK or another password, then `<pin>` must be followed by `<new pin>`.

`<new pin>`^(text)

if the requested code was a PUK: specify a new password or restore the former disabled password. See Section 5.1.1, [What to do if PIN or password authentication fails?](#) for more information about when you may need to enter the PUK.

`<code>`^(text)

SIM PIN authentication

READY	PIN has already been entered. No further entry needed.
SIM PIN	ME is waiting for SIM PIN1.
SIM PUK	ME is waiting for SIM PUK1 if PIN1 was disabled after three failed attempts to enter PIN1.
SIM PIN2	ME is waiting for PIN2, when the attempt to access PIN2 requiring features was acknowledged with +CME ERROR:17 (e.g. if client attempts to edit the FD phonebook). This is only applicable if the AT+CPIN read command also prompts for SIM PIN2. Normally, the AT+CPIN2 command is intended for SIM PIN2.
SIM PUK2	ME is waiting for PUK2 to unblock a disabled PIN2. Necessary if preceding command was acknowledged with error +CME ERROR:18 and only if the AT+CPIN read command also prompts for SIM PUK2. Normally, the AT+CPIN2 command is intended for SIM PUK2.

Phone security locks set by client or factory

PH-SIM PIN	ME is waiting for phone-to-SIM card password if "PS" lock is active and user inserts other SIM card than the one used for the lock. ("PS" lock is also referred to as phone or antitheft lock).
PH-SIM PUK	ME is waiting for Master Phone Code, if the above "PS" lock password was incorrectly entered three times.
PH-FSIM PIN	ME is waiting for phone-to-very-first-SIM card. Necessary when "PF" lock was set. When powered up the first time, ME locks itself to the first SIM card put into the card holder. As a result, operation of the mobile is restricted to this one SIM card (unless the PH-FSIM PUK is used as described below).
PH-FSIM PUK	ME is waiting for phone-to-very-first-SIM card unblocking password to be given. Necessary when "PF" lock is active and other than first SIM card is inserted.
PH-NET PIN	ME is waiting for network personalisation password
PH-NET PUK	ME is waiting for network personalisation unblocking password
PH-NS PIN	ME is waiting for network subset personalisation password
PH-NS PUK	ME is waiting for network subset unblocking password

PH-SP PIN	ME is waiting for service provider personalisation password
PH-SP PUK	ME is waiting for service provider personalisation unblocking password
PH-C PIN	ME is waiting for corporate personalisation password
PH-C PUK	ME is waiting for corporate personalisation un-blocking password

Notes

- Caution: After entering a password with [AT+CPIN](#) all other commands that need access to data on the SIM card may be blocked for up to 20 seconds!
- Successful PIN authentication only confirms that the entered PIN was recognized and correct. The output of the result code OK does not necessarily imply that the mobile is registered to the desired network. Typical example: PIN was entered and accepted with OK, but the ME fails to register to the network. This may be due to missing network coverage, denied network access with currently used SIM card, no valid roaming agreement between home network and currently available operators etc. ME offers various options to verify the present status of network registration: For example, the [AT+COPS](#) command indicates the currently used network. With [AT+CREG](#) you can also check the current status and activate an unsolicited result code which appears whenever the status of the network registration changes (e.g. when the ME is powered up, or when the network cell changes).
- Wait 10 seconds after PIN input before using SMS related commands.
- `<pin>` and `<new pin>` can also be entered in quotation marks (e.g. "1234").
- To check the number of remaining attempts to enter the passwords use the [AT^SPIC](#) command.
- See [AT+CPWD](#) and [AT^SPWD](#) for information on passwords.
- See [AT+CLCK](#) and [AT^SLCK](#) for information on lock types.

5.1.1 What to do if PIN or password authentication fails?

PIN1 / PUK1:

After three failures to enter PIN 1, the SIM card is blocked (except for emergency calls). +CME ERROR: 12 will prompt the client to unblock the SIM card by entering the associated PUK (= PIN Unblocking Key / Personal Unblocking Key). After ten failed attempts to enter the PUK, the SIM card will be invalidated and no longer operable. In such a case, the card needs to be replaced. PIN1 consists of 4 to 8 digits, PUK1 is an 8-digit code only. To unblock a disabled PIN1 you have two options:

- You can enter [AT+CPIN=PUK1,new PIN1](#).
- You can use the [ATD](#) command followed by the GSM code `**05*PUK*newPIN*newPIN#;`.

PIN2 / PUK2:

PIN2 prevents unauthorized access to the features listed in [AT+CPIN2](#). The handling of PIN2 varies with the provider. PIN2 may either be a specific code supplied along with an associated PUK2, or a default code such as 0000. In either case, the client is advised to replace it with an individual code. Incorrect input of PUK2 will permanently block the additional features subject to PIN2 authentication, but usually has no effect on PIN1. PIN2 consists of 4 digits, PUK2 is an 8-digit code only.

To unblock a disabled PIN2 you have two options:

- You can enter [AT+CPIN2=PUK2,new PIN2](#).
- You can use the [ATD](#) command followed by the GSM code `**052*PUK2*newPIN2*newPIN2#;`.

Phone lock:

If the mobile was locked to a specific SIM card (= "PS" lock or phone lock), the PUK that came with the SIM card cannot be used to remove the lock. After three failed attempts to enter the correct password, ME returns +CPIN: PH-SIM PUK (= response to read command [AT+CPIN?](#)), i.e. it is now waiting for the Master Phone Code. This is an 8-digit device code associated to the IMEI number of the mobile which can only be obtained from the manufacturer or provider. When needed, contact Siemens AG and request the Master Phone Code of the specific module.

There are two ways to enter the Master Phone code:

- You can enter [AT+CPIN](#)=Master Phone Code
- You can use the [ATD](#) command followed by the GSM code `*#0003*Master Phone Code#`;

Usually, the Master Phone Code will be supplied by mail or e-mail. If the received number is enclosed in the `*#` codes typically used for the [ATD](#) option, it is important to crop the preceding `*#0003*` characters and the appended `#`.

Example: You may be given the string `*#0003*12345678#`. When prompted for the PH-SIM PUK simply enter 12345678.

If incorrectly input, the Master Phone Code is governed by a specific timing algorithm: $(n-1) * 256$ seconds (see table below). The timing should be considered by system integrators when designing an individual MMI.

Number of failed attempts	Time to wait before next input is allowed
1st failed attempt	No time to wait
2nd failed attempt	4 seconds
3rd failed attempt	3 * 256 seconds
4th failed attempt	4 * 256 seconds
5th failed attempt	5 * 256 seconds
6th failed attempt and so forth	6 * 256 seconds and so forth

SIM locks:

These are factory set locks, such as "PF", "PN", "PU", "PP", "PC". An 8-digit unlocking code is required to operate the mobile with a different SIM card, or to lift the lock. The code can only be obtained from the provider.

Failure to enter the password is subject to the same timing algorithm as the Master Phone Code (see Table above).

Call barring:

Supported modes are "AO", "OI", "OX", "AI", "IR", "AB", "AG", "AC". If the call barring password is entered incorrectly three times, the client will need to contact the service provider to obtain a new one.

Summary of related sections:

Related +CME errors are listed in Section [2.11.1, CME ERRORS related to GSM 07.07](#). For further instructions and examples see [AT+CLCK](#), [AT^SLCK](#), [AT+CPWD](#) and [AT^SPWD](#). A complete list of `*#` codes is provided in [List of Star-Hash \(*#\) Codes](#).

5.2 AT+CPIN2 Enter PIN2

Syntax

Test Command

```
AT+CPIN2=?
```

Response(s)

```
OK
```

Read Command

```
AT+CPIN2?
```

Response(s)

```
+CPIN2: <code>  
OK  
ERROR  
+CME ERROR: <err>
```

Write Command

```
AT+CPIN2=<pin>[, <new pin>]
```

Response(s)

```
OK  
ERROR  
+CME ERROR: <err>
```

PIN	ASC0	MUX1	MUX2	MUX3
●	●	●	●	●

Reference(s)

```
GSM 07.07
```

Command Description

The read command returns an alphanumeric string indicating whether some password is required or not.

The write command lets the ME store the entered password. This may be for example the SIM PIN2 to benefit from the features listed below, or the SIM PUK2 to replace a disabled PIN2 with a new one. Note that PIN2 can only be entered if PIN1 authentication was done.

If the ME is requesting SIM PUK2, use <pin> to enter the PUK2, followed by <new pin> to specify your new PIN2.

Parameter Description

<pin>^(str)

Password (string type), usually SIM PIN2 or, if requested, SIM PUK2.

<new pin>^(str)

If the requested code was SIM PUK2: new password (PIN2).

See Section 5.1.1, [What to do if PIN or password authentication fails?](#) for more information about when you may need to enter the PUK.

<code>^(text)

READY	ME is not pending for any password.
SIM PIN2	ME is waiting for SIM PIN2. This <code> is returned only when PIN2 authentication has not yet been done or has failed (+CME ERROR:17).
SIM PUK2	ME is waiting for SIM PUK2. This <code> is returned only when PIN2 authentication has failed and ME is pending for SIM PUK2 (i.e. +CME ERROR:18).

Note

- Functions accessible only after PIN2 authentication:
 - [AT+CACM](#): Accumulated call meter (ACM) reset or query
 - [AT+CAMM](#): Accumulated call meter maximum (ACMmax) set or query
 - [AT+CLCK](#): Facility lock to "FD" (Fixed dialing phonebook)
 - [AT^SLCK](#): Facility lock to "FD" (Fixed dialing phonebook)
 - [AT+CPWD](#): Change "P2"password
 - [AT^SPWD](#): Change "P2"password
 - [AT+CPUC](#): Price per unit and currency table
 - [AT+CPIN2](#): Enter SIM PIN2 or SIM PUK2 if requested.

For example, SIM PIN2 will be needed when you attempt to edit the "FD" phonebook and ME returns +CME Error 17 or +CPIN: SIM PIN2.

Once the required <pin> has been entered correctly, PIN2 authentication code changes to READY. After 300s, a repetition of the authentication process is required (PIN2 authentication code changes from READY to SIM PIN2).

Examples

EXAMPLE 1

To change PIN2:

```
AT+CPWD="P2","0000","8888" (where "0000" = old PIN2 and "8888" = new PIN2)
OK
```

EXAMPLE 2

To unblock a disabled PIN2:

```
AT+CPIN2?
+CPIN2: SIM PUK2 PIN2 has been disabled, PUK2 must be entered
OK to define a new PIN2
AT+CPIN2=12345678,8888 where "12345678" is the PUK2, and "8888" the new
PIN2.
```

EXAMPLE 3

To write to "FD" phonebook:

```
AT+CPBS="FD"  
OK  
AT+CPBW=2,"+493012345678",145,"Charly"  
+CME ERROR 17 access denied due to missing PIN2 authentication  
AT+CPIN2=8888  
OK  
AT+CPBW=2,"+493012345678",145,"Charly"  
OK
```


5.3 AT^SPIC Display PIN counter

Syntax

Test Command

```
AT^SPIC=?
```

Response(s)

```
OK
```

Read Command

```
AT^SPIC?
```

Response(s)

```
^SPIC: <code>
```

```
OK
```

Exec Command

```
AT^SPIC
```

Response(s)

```
^SPIC: <counter>
```

```
OK
```

Write Command

```
AT^SPIC=<facility>
```

Response(s)

```
^SPIC: <counter>
```

```
OK
```

PIN	ASC0	MUX1	MUX2	MUX3
○	●	●	●	●

Reference(s)

```
SIEMENS
```

Command Description

The read command returns an identification of the currently required password, e.g. the PIN, PUK, PH-SIM PUK etc. The <counter> returned by the execute command refers to this password. In case there is no currently required password (the responses to "AT+CPIN?" and "AT+CPIN2?" both read "READY"), the read command nevertheless identifies the password to which the execute command response refers.

The execute command returns the number of attempts still available for entering the currently required password, e.g. the PIN, PUK, PH-SIM PUK etc. To check whether or not you need to enter a password use commands [AT+CPIN?](#) , Read command [AT^SPIC?](#) and [AT+CPIN2?](#).

If the responses to "AT+CPIN?" and "AT+CPIN2?" both read "READY", there is no currently required password, and the referrer of the execute command "AT^SPIC" is explicitly undefined. In these cases, the read command "AT^SPIC?" may be used to determine, which password the response of the execute command actually refers to. Also, the write command may be used in order to retrieve the counter for a specific password.

The write command returns the number of attempts still available for entering the password identified by <facility>, e.g. the PIN, PIN 2, PH-SIM PIN etc.

Parameter Description

<counter>^(num)

Number of attempts for the currently required password. This number will be counted down after each failure.

<facility>^(str)

password for which the corresponding PIN counter is to be displayed .

"SC"	SIM PIN or SIM PUK. If the SIM PIN has been deactivated after three failed attempts, the counter for SIM PUK will be returned instead.
"PS"	"phone code" or "device code" (cf. AT+CLCK and AT+CPWD). If incorrectly entered three times, the Master Phone Code is required to lift the lock and the number of remaining attempts for the master phonecode will be returned.
"P2"	SIM PIN 2 or SIM PUK 2. If the SIM PIN 2 has been deactivated after three failed attempts, the counter for SIM PUK 2 will be returned instead.
"PN"	Network Personalisation

<code>^(text)

Identification of the currently required password.

SIM PIN	ME is waiting for SIM PIN1.
SIM PUK	ME is waiting for SIM PUK1 if PIN1 was disabled after three failed attempts to enter PIN1.
SIM PIN2	ME is waiting for PIN2, when the attempt to access PIN2 requiring features was acknowledged with +CME ERROR:17 (e.g. if client attempts to edit the FD phonebook).
SIM PUK2	ME is waiting for PUK2 to unblock a disabled PIN2. Necessary if preceding command was acknowledged with error +CME ERROR:18.
PH-SIM PIN	ME is waiting for phone-to-SIM card password if "PS" lock is active and user inserts other SIM card than the one used for the lock. ("PS" lock is also referred to as phone or antitheft lock).
PH-SIM PUK	ME is waiting for Master Phone Code, if the above "PS" lock password was incorrectly entered three times.
PH-NET PIN	ME is waiting for network personalisation password
PH-NET PUK	ME is waiting for network personalisation unblocking password

Notes

- Whenever the required password changes, <counter> changes to reflect that change. Please refer to the examples below.

- Use the read commands "AT+CPIN?" and "AT+CPIN2?" to check which password is currently required. If the responses to "AT+CPIN?" and "AT+CPIN2?" both read "READY", there is no currently required password, and the referrer of the execute command "AT^SPIC" is explicitly undefined. In these cases, the read command "AT^SPIC?" may be used to determine, which password the response of the execute command actually refers to. Also, the write command may be used in order to retrieve the counter for a specific password.
- For passwords associated to the phone lock ("PS" lock set by client or factory) or other factory set locks, such as "PF", "PN", "PU", "PP", "PC" the number of attempts is subject to a timing algorithm explained in [AT+CPIN](#). If these passwords are incorrectly entered the counter first returns 3, 2 and 1 remaining attempt(s), but then gives the total number of attempts which amounts to 63 (see example below).
- See also Chapters [AT+CLCK](#), [AT+CPIN](#), [AT+CPIN2](#), [AT+CPWD](#), [AT^SLCK](#) for further information on locks and passwords.

Examples

EXAMPLE 1

The client fails to provide a correct SIM PIN three times. The counter decreases each time. After the counter reaches zero, the SIM PUK is required. After failure to enter a correct SIM PUK, the counter decreases.

```
at+cpin?  
+CPIN: SIM PIN  
OK (currently required password is PIN1)  
at^spic  
^SPIC: 3  
OK (3 attempts left)  
at+cpin=9999  
+CME ERROR: incorrect password  
at^spic  
^SPIC: 2 (2 attempts left)  
OK  
at+cpin=9999  
+CME ERROR: incorrect password  
OK  
at^spic  
^SPIC: 1  
OK  
at+cpin=9999  
+CME ERROR: incorrect password  
at+cpin?  
+CPIN: SIM PUK  
OK (now required password is PUK 1)  
at^spic  
^SPIC: 10  
OK (10 attempts left for PUK 1)  
at+cpin=01234567,1234  
+CME ERROR: incorrect password
```

```
at^spic
^SPIC: 9
OK (9 attempts left for PUK 1)
```

EXAMPLE 2

Though a mobile is locked to a specific SIM card (phone lock), the client attempts to operate it with another SIM card. The client correctly enters the SIM PIN of the SIM card currently inserted, but then fails to give the "PS" lock password (PH-SIM PUK):

```
at+cpin=9999
OK
at+cpin?
+CPIN: PH-SIM PIN ME is waiting for the phone lock password
OK

at^spic
^SPIC: 3
OK

at+cpin=4711
+CME ERROR: PH-SIM PIN required

at+cpin=4712
+CME ERROR: incorrect password

at^spic
^SPIC: 1
OK

at^spic?
^SPIC: PH-SIM PIN The counter displayed refers to the phone lock password
OK

at+cpin=4713
+CME ERROR: incorrect password
at^spic
^SPIC: 63
OK

at^spic?
^SPIC: PH-SIM PUK The counter displayed refers to the master phone code
OK
```

```
at+cpin=4714
+CME ERROR: incorrect password
at^spic
^SPIC: 63
OK
```

5.4 AT+CLCK Facility lock

Syntax

Test Command

AT+CLCK=?

Response(s)

+CLCK: list of supported <facility>s
OK

Write Command

AT+CLCK=<facility>, <mode>[, <password>][, <class>]

Response(s)

if <mode> is not equal 2 and command successful:

OK

if <mode>= 2 and command successful:

+CLCK: <status>, <class>

[+CLCK: <status>, <class>]

[+CLCK: ...]

OK

If error is related to ME functionality

+CME ERROR

PIN	ASC0	MUX1	MUX2	MUX3
●	●	●	●	●

Reference(s)

GSM 07.07, GSM 02.04, GSM 02.88,
GSM 03.88, GSM 04.88

Command Description

The Test command returns the supported parameters.

Use this command to lock, unlock or interrogate a network or ME <facility>. The command can be aborted when network facilities are being set or interrogated.

Parameter Description

<facility>^(str)

Phone security locks set by client or factory

Primarily intended for the client to take safety precautions, "SC", "PS" and "FD" can be configured individually. "PS" may also be factory set.

Parameter <class> is not applicable to security locks.

See examples below for further details.

- "SC" SIM (lock SIM cards). SIM requests password upon ME power-up and when this lock command is issued.
<password>: SIM PIN1.
- "PS" Phone locked to SIM card. ME requests password when other than current SIM card is inserted.
"PS" lock is frequently referred to as "phone lock", or "device lock". Accordingly, the password may be called "phone code" or "device code". The "PS" password is not associated with the PUK of the SIM card. If incorrectly entered three times, the Master Phone Code is required to lift the lock. This is an 8-digit device code associated to the IMEI number of the mobile which can only be obtained from the manufacturer of the module. Once the Master Phone Code has been accepted, the mobile is operational, and the "PS" lock is no longer active. If needed it must be set once again.
<password>: User defined password. It is needed before the first use of <facility> "PS" and, therefore, must first be specified with AT+CPWD or AT^SPWD, if it has not been predefined by factory settings. If set by factory (e.g. for a prepaid mobile), the password is supplied by the provider or operator.
- "FD" SIM fixed dialling memory: If the mobile is locked to "FD", only the phone numbers stored to the "FD" memory can be dialled. (Capacity of FD phonebook depending on the SIM card).
<password>: SIM PIN 2.
If a lock on the SIM fixed dialling memory is active, the following applies:
- Outgoing voice, data or fax calls can be made only to numbers stored in "FD" phonebook.
Result code depends on the type of the call:
for voice calls, indication is "+CME Error 257: Call barred".
for data and fax calls, indication is "NO CARRIER".
 - Access to defined Supplementary Services such as Call barring, Call waiting, Call forwarding, Call hold and Multiparty is possible only if the exact corresponding public MMI *# code for the desired service is stored in the fixed dialling number phone book, and used with ATD.
AT commands for supplementary service control are barred while "FD" lock is active.
Indication is "+CME Error 257: Call barred".
 - Access to Unstructured Supplementary Services ("USSD") is possible only if the exact desired USSD string is stored in the fixed dialling number phone book, and used with ATD.
AT commands for USSD are barred while "FD" lock is active.
Indication is "+CME Error 257: Call barred".
 - SMS can be sent only to phone numbers which are stored in the "fixed dialling numbers" phonebook "FD".
Indication is "+CMS Error 302: operation not allowed".
 - GPRS commands can be used only if the "fixed dialling numbers" phonebook "FD" contains an entry with phone number "*99#". This single entry enables all GPRS commands, including AT commands and modem com-

patibility commands like "ATD*99***1#" or "ATD*98***1#".
Indication is "+CME Error 257: Call barred".

Factory defined SIM locks:

Typical examples of factory set SIM locks are prepaid phones or network locks, used to restrict the operation of a mobile to a specific provider or operator. The client should be aware that each of these lock types can only be unlocked if the associated password is available. For example, a mobile can be locked to accept only SIM cards from the respective provider, or even one single SIM card. Once a different SIM card is inserted the ME will prompt the client to enter a specific code. This is not the PUK of the SIM card, but usually an 8-digit code which needs to be requested from the provider.

The locks can only be set by the manufacturer and need to be agreed upon between the parties concerned, e.g. provider, operator, distributor etc. on the one side and the manufacturer on the other side. For details contact your local dealer or Siemens AG.

Parameter `<class>` is not applicable to SIM locks.

`<password>` and instructions for unlocking must be obtained from the network provider.

"PF"	lock Phone to the very First SIM card
"PN"	Network Personalisation
"PU"	Network subset Personalisation
"PP"	Service Provider Personalisation
"PC"	Corporate Personalisation

Supplementary Service Call Barring:

Supplementary Service "Call Barring" allows to specify conditions under which calls will be disallowed by the network.

The availability of the Supplementary Services varies with the network. To benefit from call barring the client will need to subscribe them, though a limited number of call barring types may be included in the basic tariff package.

When you attempt to set a `<facility>` or `<class>` which is not provisioned, not yet subscribed to, or not supported by the module, the setting will not take effect regardless of the response returned. The responses in these cases vary with the network (for example "OK", "+CME ERROR: Operation not allowed", "+CME ERROR: Operation not supported" etc.). To make sure check the extended error response with `AT+CEER` and the lock status with `<mode>=2`.

`<password>`: Network password supplied from the provider or operator. Usually there is one password which applies to all call barring options. For details contact your provider.

"AO"	BAOC (Bar All Outgoing Calls)
"OI"	BOIC (Bar Outgoing International Calls)
"OX"	BOIC-exHC (Bar Outgoing International Calls except to Home Country)
"AI"	BAIC (Bar All Incoming Calls)
"IR"	BIC-Roam (Bar Incoming Calls when Roaming outside the home country)
"AB"	All Barring services (applicable only for <code><mode>=0</code>)
"AG"	All outGoing barring services (applicable only for <code><mode>=0</code>)
"AC"	All inComing barring services (applicable only for <code><mode>=0</code>)

<code><mode></code> ^(num)	
0	unlock
1	lock
2	query status

<status>^(num)

0	lock is inactive
1	lock is active

<password>^(str)

Password string used to lock and to unlock a <facility>. Length and authority for passwords depend on the <facility> in question and are therefore listed in the section on parameter <facility>. Passwords can be modified with AT+CPWD or AT^SPWD.

<class>^(num)

Integer or sum of integers each representing a class of information, i.e. a bearer service, telecommunication service or bearer service group as defined in "GSM 02.04".

1	voice
2	class 2 ("data") comprises all those individual data classes between 16 and 128, that are supported both by the network and the MS. This means, a setting made for class 2 applies to all individual data classes (if supported). In addition, you can assign a different setting to a specific class. For example, you can activate Call Forwarding for all data classes, but deactivate it for data class 64, "dedicated packet access".
4	fax
8	SMS
16	data circuit sync
32	data circuit async
64	dedicated packet access
128	dedicated PAD access
1...[7]...255	combination of some of the above classes. For example, the default setting 7 represents the sum of the integers 1, 2 and 4 (voice, data and fax). The value 255 covers all classes. If parameter "class" is omitted, the default value 7 is used.

Notes

- The AT+CLCK command offers the full range of <class> parameters according to the GSM specifications. However, when you attempt to use a service option which is not provisioned or not yet subscribed to, the setting will not take effect regardless of the response returned. The responses in these cases vary with the network (for example "OK", "Operation not allowed", "Operation not supported" etc.). To make sure check the extended error response with AT+CEER and the lock status with <mode>=2.
- The command has been implemented with the full set of <class> parameters according to GSM 07.07. For actual applicability of a desired Call barring service to a specific service or service group (a specific <class> value) please consult table A.1 of GSM 02.04.
- If an outgoing Fax or Data Call is rejected due to an active "call barring" supplementary service, the call will be terminated with result code NO CARRIER. Under the same conditions, an outgoing Voice call will be terminated with result code NO DIALTONE.
- If an invalid <password> is entered several times in succession, a delay incremented after each failed attempt will increase the time to wait before the input of the <password> is accepted. To avoid blocking the

serial interface the running `AT+CLCK` command is aborted after a short timeout and returns CME ERROR 100 ("unknown"). If then the `AT+CLCK` command is issued once again execution is denied with CME ERROR 256 ("Operation temporary not allowed"). For details regarding the delay see Section 5.1.1, [What to do if PIN or password authentication fails?](#).

Examples

EXAMPLE 1

Lock SIM card (`<facility>= "SC"`)

```
AT+CLCK="SC",1,"9999"
```

OK

The "SC" parameter enables or disables the SIM PIN authentication (PIN 1) when you power up the GSM engine

SIM card locked. As a result, SIM PIN 1 must be entered to enable ME to register to the GSM network.

```
AT+CLCK="SC",0,"9999"
```

OK

Unlocks SIM card.

When powered up, ME registers to the GSM network without requesting SIM PIN1.

Note: Depending on the services offered by the provider, this feature is not supported by all SIM card types. If so, the command returns ERROR when you attempt to unlock the card.

To query the status of the SIM card lock:

```
AT+CLCK="SC",2
```

```
+CLCK: 1
```

OK

Query the status of SIM card lock.

SIM card is locked. SIM PIN1 must be entered to enable ME to register to the GSM network.

EXAMPLE 2

Phone lock (`<facility>="PS"`)

```
AT+CPIN?
```

OK

Make sure that PIN1 authentication is valid.

To lock the ME to the currently inserted SIM card, first specify a password for `<facility> "PS"`:

```
AT+CPWD="PS",,"1234"
```

OK

If "PS" lock has not been set before: enter new password.

Optionally, if "PS" password was defined before, change existing password:

```
AT+CPWD="PS","1234","3333"
```

OK

To replace existing "PS" password: Enter old and new password.

Then, activate the Phone Lock:

```
AT+CLCK="PS",1,"3333"
```

OK

Locks the mobile to the current SIM card.

To operate the mobile with the SIM card for which "PS" lock was activated:

```
AT+CPIN?  
+CPIN: SIM PIN  
OK  
AT+CPIN="9999"  
OK
```

No additional password is required for operation (SIM recognized by mobile).

To operate the mobile with other SIM card than the one used for the "PS" lock:
Enter SIM PIN of present card, followed by "PS" lock password.

```
AT+CPIN?  
+CPIN: SIM PIN  
OK  
AT+CPIN="1111"  
OK
```

PIN authentication accepted.

```
AT+CPIN?  
+CPIN: PH-SIM PIN  
OK  
AT+CPIN="3333"  
OK
```

"PS" lock password is required.

"PS" Lock password has been accepted. ME is fully operational now.

To deactivate the Phone Lock:

```
AT+CLCK="PS",0,"3333"  
OK
```

Phone Lock password has to be provided again.
Now the mobile can be used with any SIM card, without the need of the phone lock password.

5.5 AT^SLCK Facility lock

AT command [AT^SLCK](#) provides the "Facility lock" function as described for AT command [AT+CLCK](#) defined in GSM 07.07.

It is identical in every respect to [AT+CLCK](#), except that the command syntax and response prefix is "^SLCK" instead of "+CLCK".

Syntax

Test Command

```
AT^SLCK=?
```

Response(s)

```
^SLCK: list of supported <facility>s  
OK
```

Write Command

```
AT^SLCK=<facility>, <mode>[, <password>][, <class>]
```

Response(s)

```
if <mode> is not equal 2 and command successful:
```

```
OK
```

```
if <mode>= 2 and command successful:
```

```
^SLCK: <status>, <class>
```

```
[^SLCK: <status>, <class>]
```

```
[^SLCK: ...]
```

```
OK
```

```
If error is related to ME functionality
```

```
+CME ERROR
```

PIN	ASC0	MUX1	MUX2	MUX3
●	●	●	●	●

Reference(s)

```
SIEMENS, GSM 07.07, GSM 02.04,  
GSM 02.88, GSM 03.88, GSM 04.88
```

Command Description

The Test command returns the supported parameters.

Use this command to lock, unlock or interrogate a network or ME [<facility>](#). The command can be aborted when network facilities are being set or interrogated.

Note

- For further details please refer to [AT+CLCK](#).

5.6 AT+CPWD Change Password

Use this command when you want to change the passwords defined for the "facility lock" functions available from [AT+CLCK](#). A password consists of a string of numeric digits with a length in the range specified by [<password length>](#).

Specifically the command can be used to

- change PIN1 or PIN2,
- change the password supplied from your provider for the "call barring" supplementary service,
- set individual phone security passwords,
- enter the unblocking key (Master Phone Code) to restore a disabled "PS" password.

See AT commands [AT+CLCK](#) and [AT^SLCK](#) for more information on the various lock features.

Syntax

Test Command

```
AT+CPWD=?
```

Response(s)

```
+CPWD:(list of supported (<facility>, <password length>)  
OK
```

Write Command

```
AT+CPWD=<facility>, <old password>[, <new password>]
```

Response(s)

New password has been registered for the facility lock function.

OK

If parameter [<old password>](#) was not correct:

```
+CME ERROR 16 (+CME ERROR: incorrect password)
```

If the password for the selected [<facility>](#) has been invalidated due to too many failed attempts:

```
+CME ERROR ...
```

If error is related to ME functionality:

```
+CME ERROR
```

PIN	ASC0	MUX1	MUX2	MUX3
●	●	●	●	●

Reference(s)

GSM 07.07

Command Description

The test command returns a list of pairs which represent the available facilities and the maximum length of the associated password.

The write command allows to define a new password for a password protected [<facility>](#) lock function. Each password is a string of digits, the length of which varies with the associated [<facility>](#).

Parameter Description

<facility>^(str)

Phone security locks set by client or factory:

Primarily intended for the client to take safety precautions, passwords "SC" (SIM PIN) and "P2" (SIM PIN2) are usually predefined, but can be configured individually. The password for lock facility "PS" may also be factory set.

"SC"	<p>SIM PIN. SIM requests password upon ME power-up and when this lock command is issued.</p> <p>If incorrectly entered three times, the SIM PUK is required to perform authentication. Input of the SIM PUK password is possible only with AT command AT+CPIN or ATD. For further details please refer to Section 5.1.1, What to do if PIN or password authentication fails?</p> <p><password length>: 4 to 8 digits.</p>
"PS"	<p>Phone locked to SIM card. ME requests password when other than current SIM card is inserted.</p> <p>"PS" lock is frequently referred to as "phone lock", or "device lock". Accordingly, the password may be called "phone code" or "device code". The "PS" password is not associated with the PUK of the SIM card. It must be defined before the first use of <facility> "PS" with AT+CLCK.</p> <p><password length>: 4 digits.</p> <p>If incorrectly entered three times, the Master Phone Code is required to lift the lock. This Unblocking procedure is performed with AT+CPWD using the following parameters: <facility>="PS", <old password>= Master Phone Code (to be obtained from the module manufacturer), and <new password>= the new phone code ("PS" password for lock facility), if desired.</p> <p>Mind that successful PIN authentication is a prerequisite for use of AT command AT+CPWD. If Pin authentication has not been completed, input of the Master Phone code password is possible only with AT command AT+CPIN or ATD. For further detail please refer to Section 5.1.1, What to do if PIN or password authentication fails?</p> <p>Once the Master Phone Code has been accepted, the mobile is operational, and the "PS" lock is no longer active. If needed it must be set once again with AT+CLCK.</p>
"P2"	<p>SIM PIN 2, e.g. required for authentication with facility lock "FD" (cf. AT+CLCK).</p> <p>If incorrectly entered three times, the SIM PUK 2 is required to perform authentication. Input of the SIM PUK 2 password is possible only with AT command AT+CPIN2 or ATD. For further detail please refer to Section 5.1.1, What to do if PIN or password authentication fails?</p> <p><password length>: 4 to 8 digits.</p>

Factory defined SIM locks:

Typical examples of factory set SIM locks are prepaid phones or network locks, used to restrict the operation of a mobile to a specific provider or operator. The client should be aware that each of these lock types can only be unlocked if the associated password is available. For example, a mobile can be locked to accept only SIM cards from the respective provider, or even one single SIM card. Once a different SIM card is inserted the ME will prompt the client to enter a specific code. This is not the PUK of the SIM card, but usually an 8-digit code which needs to be requested from the provider.

The locks can only be set by the manufacturer and need to be agreed upon between the parties concerned, e.g. provider, operator, distributor etc. on the one side and the manufacturer on the other side. For details contact your local dealer or Siemens AG.

"PF"	lock Phone to the very First SIM card
"PN"	Network Personalisation

“PU“	Network subset Personalisation
“PP“	Service Provider Personalisation
“PC“	Corporate Personalisation

Supplementary Service Call Barring:

Supplementary Service "Call Barring" allows to specify conditions under which calls will be disallowed by the network.

The availability of the Supplementary Services varies with the network. To benefit from call barring the client will need to subscribe them, though a limited number of call barring types may be included in the basic tariff package.

<password length>: The Network Password needs to be supplied from the network provider or network operator. Usually there is one 4 digit password which applies to all call barring options. For details contact your provider.

“AO“	BAOC (Bar All Outgoing Calls)
“OI“	BOIC (Bar Outgoing International Calls)
“OX“	BOIC-exHC (Bar Outgoing International Calls except to Home Country)
“AI“	BAIC (Bar All Incoming Calls)
“IR“	BIC-Roam (Bar Incoming Calls when Roaming outside the home country)
“AB“	All Barring services
“AG“	All outGoing barring services
“AC“	All inComing barring services

<password length>^(num)

4...8 length of password. The range of permitted length for a password depends on the associated **<facility>**. It is available from the test command response, or in the description of parameter **<facility>**.

<old password>^(str)

Password specified for the facility.

Parameter **<old password>** can be ignored if no old password was allocated to the facility.

Take into account that a password may have already been set by factory, or that the service is subject to a password issued by the provider. See notes above or contact provider.

<new password>^(str)

New password. Mandatory, if **<old password>** was an unblocking key (such as the Master Phone Code).

Note

- To delete a password use the following syntax:
at+cpwd=**<facility>**,**<old password>**

Examples

EXAMPLE 1

To change PIN2

```
AT+CPWD="P2", "0000", "8888"  
OK
```

(where "0000" = old PIN2 and "8888" = new PIN2)
PIN2 Password has been changed to "8888"

EXAMPLE 2

To set password used to enable or disable barring of all outgoing calls:

```
AT+CPWD="AO", "0000", "3333"
```

Requests the network to change the password for supplementary service "call barring". Usually this request will affect all barring services, even though the request is issued for Supplementary Service BAOC ("Barring of all outgoing calls") only. Refer to the respective network provider for detail.

```
OK
```

EXAMPLE 3

Handling of the "PS" lock password

```
AT+CMEE=2
```

Enable text output of CME Error information

```
AT+CPWD="PS", "1111", "2222"
```

(where "1111" = old password and "2222" = new password)

```
OK
```

Password for facility "PS" is now "2222"

```
AT+CPWD="PS", "1111", "2222"
```

Repeat command to provoke error "incorrect password"

```
+CME ERROR: incorrect password
```

("1111" is no longer the correct password)

EXAMPLE 4

To specify a new "PS" lock password, after the old password was disabled (e.g. after three failed attempts to change the "PS" password): use the master phone code.

CAUTION: THIS TEST SHOULD BE PERFORMED ONLY IF THE CORRECT MASTER PHONE CODE FOR THE INDIVIDUAL ME USED IS DEFINITELY AVAILABLE! Otherwise the module used will be rendered useless until the correct master phone code is entered!:

```
AT+CPWD="PS", "12345678", "1111"
```

where 12345678 is the Master Phone Code and 1111 is the new password. You may also use [<new password>](#) to restore the former disabled password.

```
OK
```

Alternatively, without giving a new password:

```
AT+CPWD="PS", "12345678"
```

(where 12345678 is the Master Phone Code). Deactivates the present phone lock.

```
OK
```


5.7 AT^SPWD Change Password

Use this command when you want to change the passwords defined for the "facility lock" functions available from [AT+CLCK](#). Specifically the command can be used to

- change PIN1 or PIN2,
- change the password supplied from your provider for the "call barring" supplementary service,
- set individual phone security passwords,
- enter the unblocking key (Master Phone Code) to restore a disabled "PS" password.

See AT commands [AT+CLCK](#) and [AT^SLCK](#) for more information on the various lock features.

AT command [AT^SPWD](#) is identical in every respect to [AT+CPWD](#), except that the command syntax and response prefix is "^SPWD" instead of "+CPWD".

Syntax

Test Command

```
AT^SPWD=?
```

Response(s)

```
^SPWD:(list of supported (<facility>, <password length>)  
OK
```

Write Command

```
AT^SPWD=<facility>, <old password>[, <new password>]
```

Response(s)

New password has been registered for the facility lock function.

OK

If parameter `<old password>` was not correct:

```
+CME ERROR 16 (+CME ERROR: incorrect password)
```

If the password for the selected `<facility>` has been invalidated due to too many failed attempts:

```
+CME ERROR ...
```

If error is related to ME functionality:

```
+CME ERROR
```

PIN	ASC0	MUX1	MUX2	MUX3
●	●	●	●	●

Command Description

The test command returns a list of pairs which represent the available facilities and the maximum length of the associated password.

The write command allows to define a new password for a password protected `<facility>` lock function. Each password is a string of digits, the length of which varies with the associated `<facility>`.

Note

- For further description please refer to [AT+CPWD](#).

6. Identification Commands

The AT Commands described in this chapter allow the external application to obtain various identification information related to the MC35i and linked entities.

6.1 ATI Display product identification information

Syntax

Exec Command

```
ATI
```

Response(s)

```
SIEMENS  
MC35i  
REVISION xx.yy  
OK
```

Exec Command

```
ATI[<value>]
```

Response(s)

```
[SIEMENS Gipsy Soft Protocolstack V2.550]  
OK
```

PIN	ASC0	MUX1	MUX2	MUX3
<input type="radio"/>	<input checked="" type="radio"/>	<input checked="" type="radio"/>	<input checked="" type="radio"/>	<input checked="" type="radio"/>

Reference(s)

V.25ter

Command Description

ME issues product information text.

Explanation of 'Revision' parameter: Version xx and variant yy of software release.

ME issues additional identification informations, after using with optional parameter.

ATI9 delivers the information above. Other values are not supported and only return OK.

Parameter Description

<value>^(num)

9

SIEMENS Gipsy Soft Protocolstack V2.550

6.2 AT+CGMI Request manufacturer identification

Syntax

Test Command

```
AT+CGMI=?
```

Response(s)

```
OK
```

Exec Command

```
AT+CGMI
```

Response(s)

```
SIEMENS
```

```
OK
```

PIN	ASC0	MUX1	MUX2	MUX3
<input type="radio"/>	<input checked="" type="radio"/>	<input checked="" type="radio"/>	<input checked="" type="radio"/>	<input checked="" type="radio"/>

Reference(s)

```
GSM 07.07
```

Command Description

TA returns manufacturer identification text.

Note

- See also: [AT+GMI](#).

6.3 AT+GMI Request manufacturer identification

Syntax

Test Command

AT+GMI=?

Response(s)

OK

Exec Command

AT+GMI

Response(s)

SIEMENS

OK

PIN	ASC0	MUX1	MUX2	MUX3
<input type="radio"/>	<input checked="" type="radio"/>	<input checked="" type="radio"/>	<input checked="" type="radio"/>	<input checked="" type="radio"/>

Reference(s)

V.25ter

Command Description

TA reports information to identify the manufacturer.

Note

- See also: [AT+CGMI](#)

6.4 AT+CGMM Request model identification

Syntax

Test Command

```
AT+CGMM=?
```

Response(s)

```
OK
```

Exec Command

```
AT+CGMM
```

Response(s)

```
MC35i
```

```
OK
```

PIN	ASC0	MUX1	MUX2	MUX3
<input type="radio"/>	<input checked="" type="radio"/>	<input checked="" type="radio"/>	<input checked="" type="radio"/>	<input checked="" type="radio"/>

Reference(s)

```
GSM 07.07
```

Command Description

TA returns product model identification text.

Note

- See also: [AT+GMM](#).

6.5 AT+GMM Request TA model identification

Syntax

Test Command

AT+GMM=?

Response(s)

OK

Exec Command

AT+GMM

Response(s)

MC35i

OK

PIN	ASC0	MUX1	MUX2	MUX3
-----	------	------	------	------

<input type="radio"/>	<input checked="" type="radio"/>	<input checked="" type="radio"/>	<input checked="" type="radio"/>	<input checked="" type="radio"/>
-----------------------	----------------------------------	----------------------------------	----------------------------------	----------------------------------

Reference(s)

V.25ter

Command Description

TA reports one or more lines of information text which permit the user to identify the specific model of device.

Note

- See also: [AT+CGMM](#)

6.6 AT+CGMR Request revision identification of software status

Syntax

Test Command

```
AT+CGMR=?
```

Response(s)

```
OK
```

Exec Command

```
AT+CGMR
```

Response(s)

```
REVISION <xx.yy>
```

```
OK
```

PIN	ASC0	MUX1	MUX2	MUX3
<input type="radio"/>	<input checked="" type="radio"/>	<input checked="" type="radio"/>	<input checked="" type="radio"/>	<input checked="" type="radio"/>

Reference(s)

```
GSM 07.07
```

Command Description

TA returns product firmware version identification text.

Parameter Description

<xx.yy>^(str)

Version xx and variant yy of software release.

Note

- See also: [AT+GMR](#).

6.7 AT+GMR Request TA revision identification of software status

Syntax

Test Command

```
AT+GMR=?
```

Response(s)

```
OK
```

Exec Command

```
AT+GMR
```

Response(s)

```
REVISION <xx.yy>
```

```
OK
```

PIN	ASC0	MUX1	MUX2	MUX3
<input type="radio"/>	<input checked="" type="radio"/>	<input checked="" type="radio"/>	<input checked="" type="radio"/>	<input checked="" type="radio"/>

Reference(s)

```
V.25ter
```

Command Description

TA returns product software version identification text.

Parameter Description

<xx.yy>^(text)

Version xx and variant yy of software release.

Note

- See also: [AT+CGMR](#)

6.8 AT+CGSN Request product serial number identification (IMEI) identical to GSN

Syntax

Test Command

AT+CGSN=?

Response(s)

OK

Exec Command

AT+CGSN

Response(s)

<sn>

OK

PIN	ASC0	MUX1	MUX2	MUX3
<input type="radio"/>	<input checked="" type="radio"/>	<input checked="" type="radio"/>	<input checked="" type="radio"/>	<input checked="" type="radio"/>

Reference(s)

GSM 07.07

Command Description

TA returns identification text for determination of the individual ME.

Parameter Description

<sn>^(str)

IMEI of the telephone (International Mobile station Equipment Identity)

Note

- See also: [AT+GSN](#).

6.9 AT+GSN Request TA serial number identification (IMEI)

Syntax

Test Command

AT+GSN=?

Response(s)

OK

Exec Command

AT+GSN

Response(s)

<sn>

OK

PIN	ASC0	MUX1	MUX2	MUX3
<input type="radio"/>	<input checked="" type="radio"/>	<input checked="" type="radio"/>	<input checked="" type="radio"/>	<input checked="" type="radio"/>

Reference(s)

V.25ter

Command Description

TA reports one or more lines of information text which permit the user to identify the individual device.

Parameter Description

<sn>^(str)

IMEI of the telephone (International Mobile station Equipment Identity)

Note

- The serial number (IMEI) varies for every individual ME device.

6.10 AT+CIMI Request international mobile subscriber identity

Syntax

Test Command

```
AT+CIMI=?
```

Response(s)

```
OK
```

Exec Command

```
AT+CIMI
```

Response(s)

```
<imsi>
```

```
OK
```

```
ERROR
```

```
+CME ERROR: <err>
```

PIN	ASC0	MUX1	MUX2	MUX3
●	●	●	●	●

Reference(s)

```
GSM 07.07
```

Command Description

TA returns IMSI for identifying the individual SIM which is attached to ME.

Parameter Description

<imsi>^(str)

International Mobile Subscriber Identity (string without quotes).

7. Call related Commands

The AT Commands described in this chapter are related to Mobile Originated (MOC, i.e. outgoing) Calls and Mobile Terminated (MTC, i.e. incoming) Calls.

7.1 ATA Answer a call

Syntax

Exec Command

ATA

Response(s)

In case of data call, if successfully connected (TA switches to data mode):

CONNECT <text>

In case of voice call, if successfully connected:

OK

When TA returns to command mode after call release:

OK

If no connection:

NO CARRIER

PIN ASC0 MUX1 MUX2 MUX3

● ● ● ● ●

Reference(s)

V.25ter

Command Description

TA causes remote station to go off-hook (e.g. answer call).

Parameter Description

<text>^(str)

Connection status

<text> output only if ATX parameter setting with value greater 0.

Notes

- Any additional commands on the same command line are ignored.
- The command may be aborted generally by receiving a character during execution. It can't be aborted in some connection setup states, such as handshaking.
- If AT+FCLASS setting is 1 or 2, all incoming calls will be answered as fax calls, if ATA is issued on multiplexer channel 1 resp. ASC0. For calls explicitly signalled as voice or data calls, this procedure will fail with result

code "NO CARRIER", but the call in question will continue to ring.
It is possible to change the setting for [AT+FCLASS](#) to 0 while the call is ringing, and accept the call normally afterwards with [ATA](#).

- See also [ATX](#) for `<text>`.

7.2 ATD Mobile originated call to dial a number

Syntax

Exec Command

```
ATD<n>[<mgsm>][:]
```

Response(s)

If no dialtone (parameter setting [ATX2](#) or [ATX4](#)):

```
NO DIALTONE
```

If busy (parameter setting [ATX3](#) or [ATX4](#)):

```
BUSY
```

If a connection cannot be set up:

```
NO CARRIER
```

```
OK
```

If successfully connected and non-voice call (TA switches to online data mode):

```
CONNECT <text>
```

When TA returns to command mode after call release:

```
OK
```

If successfully connected and voice call:

```
OK
```

PIN ASC0 MUX1 MUX2 MUX3

Reference(s)

V.25ter

Command Description

This command can be used to set up outgoing voice, data or fax calls. It also serves to control Supplementary Services. The termination character ";" is mandatory to set up voice calls or to send *# codes for Supplementary Services. It must not be used for data and fax calls.

Additional notes on the responses returned after dialing with [ATD](#):

- For voice calls, you have the choice of two different response modes that can be selected with [AT^SM20](#):
[AT^SM20=1](#) (factory default) causes the ME to respond once the call setup is completed either successfully ("OK") or unsuccessfully ("NO CARRIER", "NO DIAL TONE", "BUSY").
[AT^SM20=0](#) causes the ME to return "OK" immediately after dialing was completed (i.e. before call setup terminates successfully or unsuccessfully).
- For data connections, call setup always terminates when the call has been established (indicated by the result code "CONNECT <text>"), or when it fails (indicated by "NO CARRIER"). The settings of [AT^SM20](#) do not apply.

Different call release indications:

- Upon termination, an outgoing fax or data call may show a different result code than a voice call would show under identical conditions. In order to track down the actual reason for call termination, [AT+CEER](#) or [ATS18](#) should be used for all applicable connections.

Using [ATD](#) during an active call:

- When a user originates a second voice call while there is already an active voice call, the first call will automatically put on hold. The second call attempt is acknowledged with "OK" immediately after dialing with ATD has completed, without relation to a successful call setup. In case of failure, the additional result codes "NO CARRIER", "NO DIAL TONE", "NO CARRIER" will be presented afterwards (see example below).

Parameter Description

`<n>`^(text)

String of dialing digits and optional V.25ter modifiers: 0-9, *, #, +, A, B, C

The following V.25ter modifiers are ignored: ,(comma), T, P, !, W, @

Emergency call: `<n>` = 112 world wide number (no SIM needed)

Call to defined phone number to defer emergency switch-off when a critical temperature limit is exceeded: dialed number must match the number defined in parameter `<phone number>` of write command `AT^SCTM`

`<mgsms>`^(str)

String of GSM modifiers:

- l Activates CLIR (disables presentation of own phone number to called party)
- i Deactivates CLIR (enables presentation of own phone number to called party)
- G Activate Closed User Group explicit invocation for this call only.
- g Deactivate Closed User Group explicit invocation for this call only.

Notes

- The command may be aborted generally when receiving an [ATH](#) command during execution. It cannot be aborted in some connection setup states, such as handshaking.
- Parameter "l" and "i" only if no *#-code is within the dial string.
- `<mgsms>` is not supported for data calls.
- `<n>` is default for last number that can be dialled by [ATDL](#).
- See also [ATX](#) for `<text>`.
- If [ATD](#) is used with a USSD command (e.g. `ATD*100#;`) an `AT+CUSD=1` is executed implicitly (see [AT+CUSD](#)).
- Parameter 'G' or 'g' will be ignored if Closed User Group was already activated, respectively deactivated with [AT+CCUG](#) command before. Call by call invocation of CUG uses the settings provisioned by the provider or, if available, the settings of the parameters `<index>` and `<info>` made with [AT+CCUG](#).
- The ME is equipped with a "Blacklist" function according to GSM02.07 Annex A:
After a predefined number of failed call attempts, the dialed number is entered into a read-only phonebook called "blacklist" (phonebook "BL"). Call attempts to numbers contained in the blacklist will be barred by ME and not signalled to the network.
An attempt to start a voice call to a barred phone number will be stopped with a CME ERROR 257 "Call Barred".
An attempt to start a data or fax call to a barred phone number will be answered immediately with result code "NO CARRIER".
The barred numbers are automatically removed from the blacklist according to the timing conditions specified in GSM02.07 Annex A. In addition, the blacklist can be deleted using the [AT^SPBD](#) command.

Example

The following example shows the call setup procedure when a call is already active and a second call attempt fails because the line of the called party is busy:

atd03012345678	Dialing out the first party's number.
OK	The first call is established.
ATD03022222222	The number of the second party is dialed.
OK	The response "OK" is issued immediately though no call is established (same behavior as is you had chosen AT^SM20=0 .)
BUSY	Line of the second called party is busy.

7.3 ATD<mem><n> Originate call to phone number in memory

Syntax

Exec Command

```
ATD<mem><n>[<mgsms>];
```

Response(s)

ERROR

+CME ERROR: <err>

If no dialtone (parameter ATX2 or ATX4):

NO DIALTONE

If busy (parameter setting ATX3 or ATX4):

BUSY

If connection cannot be set up:

NO CARRIER

When TA returns to command mode after call release:

OK

If successfully connected:

OK

PIN ASC0 MUX1 MUX2 MUX3

● ● ● ○ ○

Reference(s)

V.25ter

Command Description

TA attempts to set up an outgoing call to the specified number. The termination character ";" is mandatory since dialing from a phonebook is only supported for voice calls and for sending *# codes of Supplementary Services or other functions.

Parameter Description

<mem>^(str)

Phonebook storage:

For detailed description of storages see [AT+CPBS](#).

"FD"	Fixed dialing phonebook
"SM" ^(&F)	SIM phonebook
"ON"	MSISDN list
"ME"	Mobile Equipment Phonebook
"LD"	Last number dialed phonebook
"MC"	Missed (unanswered received) calls list
"RC"	Received calls list

<n>^(num)

Integer type memory location in the range of locations available in the selected memory, i.e. the index number returned by [AT+CPBR](#).

<mgsm>^(str)

String of GSM modifiers:

- l Activates CLIR (disables presentation of own phone number to called party)
- i Deactivates CLIR (enables presentation of own phone number to called party)

Notes

- This command may be aborted generally by receiving a character during execution. Abortion is not possible during some states of connection setup such as handshaking.
- There is no <mem> for emergency call ("EN").
- The command is not applicable to data calls. Any attempt to dial a data call number from <mem> causes the result code "NO CARRIER" to appear.
- Parameter <mgsm> only if no *# code is within the dialing string.
- See [ATX](#) for setting result code and call monitoring parameters.

Examples

EXAMPLE 1

To query the location number of the phonebook entry:

```
AT+CPBR=1,xx
```

TA returns the entries available in the active phonebook.

EXAMPLE 2

To dial a number from the SIM phonebook, for example the number stored to location 15:

```
ATD>SM15 ;  
OK
```

EXAMPLE 3

To dial a phone number stored in the last dial memory on the SIM card:

```
ATD>LD9 ;  
OK
```

7.4 ATD<n> Originate call to phone number selected from active memory

Syntax

Exec Command

```
ATD<n>[<msgm>];
```

Response(s)

ERROR

+CME ERROR: <err>

If no dialtone (parameter ATX2 or ATX4):

NO DIALTONE

If busy (parameter setting ATX3 or ATX4):

BUSY

If connection cannot be set up:

NO CARRIER

When TA returns to command mode after call release:

OK

If successfully connected:

OK

PIN	ASC0	MUX1	MUX2	MUX3
●	●	●	◐	◐

Reference(s)

V.25ter

Command Description

TA attempts to set up an outgoing call to the stored number. The termination character ";" is mandatory since dialing from a phonebook is only supported for voice calls and for sending *# codes of Supplementary Services or other functions.

Parameter Description

<n>^(num)

Integer type memory location in the range of locations available in the selected memory, i.e. the index number returned by [AT+CPBR](#).

<msgm>^(str)

String of GSM modifiers:

l Activates CLIR (disables presentation of own phone number to called party)

i Deactivates CLIR (enables presentation of own phone number to called party)

Notes

- This command may be aborted generally by receiving a character during execution. Abortion is not possible

during some states of connection setup such as handshaking.

- The command is not applicable to data calls. Any attempt to dial a data call number from <n> causes the result code "NO CARRIER" to appear.
- Parameter <mgsn> only if no *# code is within the dialing string.

7.5 ATD<str> Originate call to phone number in memory with corresponding field

Syntax

Exec Command

```
ATD<str>[<mgsms>];
```

Response(s)

ERROR

+CME ERROR: <err>

If no dialtone (parameter ATX2 or ATX4):

NO DIALTONE

If busy (parameter setting ATX3 or ATX4):

BUSY

If connection cannot be set up:

NO CARRIER

When TA returns to command mode after call release:

OK

If successfully connected:

OK

PIN	ASC0	MUX1	MUX2	MUX3
●	●	●	◐	◐

Reference(s)

V.25ter

Command Description

This command searches the active phonebook for a given string <str> and dials the assigned phone number. The termination character ";" is mandatory since dialing from a phonebook is only supported for voice calls and for sending *# codes of Supplementary Services or other functions.

Parameter Description

<str>^{(str)(+CSCS)}

String type value ("x"), which should equal an alphanumeric field in at least one phonebook entry in the searched memories; used character set should be the one selected with AT+CSCS. <str> can contain escape sequences as described in chapter "Supported character sets".

<str> must be wrapped in quotation marks (""), if escape sequences or parameter <mgsms> are used or if the alphanumeric strings contains a blank. If not, quotation marks are optional.

If AT+CSCS is set to "UCS2", with respect to the coding of UCS2-characters only phonebook entries that contain an alphanumeric string with as size less than the half of the parameter <tlength> from AT+CPBW can be dialed.

<mgsms>^(str)

String of GSM modifiers:

l Activates CLIR (disables presentation of own phone number to called party)

i Deactivates CLIR (enables presentation of own phone number to called party)

Notes

- This command may be aborted generally by receiving a character during execution. Abortion is not possible during some states of connection setup such as handshaking.
- The command is not applicable to data calls. Any attempt to dial <str> without semicolon ";" causes the result code "NO CARRIER" to appear.
- Parameter <mgsm> only if no *# code is within the dialing string.

7.6 ATDI Mobile originated call to dialable ISDN number <n>

Syntax

Exec Command

```
ATDI<n>[:]
```

Response(s)

If no dialtone (parameter ATX2 or ATX4):

```
NO DIALTONE
```

If busy (parameter setting ATX3 or ATX4):

```
BUSY
```

If connection cannot be set up:

```
NO CARRIER
```

All other error reasons:

```
+CME ERROR
```

If successfully connected and non-voice call (TA switches to data state):

```
CONNECT <text>
```

When TA returns to command mode after call release:

```
OK
```

If successfully connected and voice call:

```
OK
```

PIN	ASC0	MUX1	MUX2	MUX3
<input checked="" type="radio"/>	<input checked="" type="radio"/>	<input checked="" type="radio"/>	<input type="radio"/>	<input type="radio"/>

Reference(s)

V.25ter

Command Description

TA attempts to set up an outgoing call to ISDN number. The termination character ";" is mandatory to set up voice calls or to send *# codes for Supplementary Services. It must not be used for data and fax calls.

Parameter Description

<n>^(str)

ISDN number

String with maximum length of 20 characters. Allowed characters: +, 0-9, A, B, C.

Note

- This command may be aborted generally by receiving a character during execution. Abortion is not possible during some states of connection setup such as handshaking.

7.7 ATDL Redial last telephone number used

Syntax

Exec Command

```
ATDL[:]
```

Response(s)

If there is no last number or number is not valid:

```
+CME ERROR
```

If no dialtone (parameter ATX2 or ATX4):

```
NO DIALTONE
```

If busy (parameter setting ATX3 or ATX4):

```
BUSY
```

If connection cannot be set up:

```
NO CARRIER
```

If successfully connected and non-voice call (TA switches to online data mode):

```
CONNECT <text>
```

When TA returns to command mode after call release:

```
OK
```

If successfully connected and voice call:

```
OK
```

PIN	ASC0	MUX1	MUX2	MUX3
●	●	●	◐	◐

Reference(s)

```
V.25ter
```

Command Description

This command redials the last voice and data call number used in the ATD command. If terminated with semi-colon ";", ATDL dials the last voice call number stored in the "LD" phonebook. Otherwise, the last dialed data or fax number will be used (not contained in the "LD" phonebook).

Notes

- This command may be aborted generally by receiving a character during execution. Abortion is not possible during some states of connection setup such as handshaking.
- Parameter "l" and "i" only if no *#-code is within the dial string.

7.8 ATH Disconnect existing connection

Syntax

```
Exec Command
ATH[<n>]

Response(s)
OK
```

PIN	ASC0	MUX1	MUX2	MUX3
<input type="radio"/>	<input checked="" type="radio"/>	<input checked="" type="radio"/>	<input checked="" type="radio"/>	<input checked="" type="radio"/>

```
Reference(s)
V.25ter
```

Command Description

Disconnect existing call from command line by local TE and terminate call.

Parameter Description

<n> ^(num)	
[0]	disconnect from line and terminate call

Notes

- OK is issued after circuit 109 (DCD) is turned off, if it was previously on.
- ATH terminates every circuit switched call (voice, data or fax), even if it is issued via another interface. This behavior is in accordance with ITU-T V.25 ter; (07/97, "Hook control": "ATH is terminating any call in progress.").
- ATH clears any active PDP context or terminates any existing PPP connection, but only if issued on the same interface where GPRS is used. It does not affect PDP contexts and PPP connections on other interfaces (see also Chapter "ATH Manual rejection of a network request for PDP context activation").

7.9 AT+CHUP Hang up call

Syntax

Test Command

```
AT+CHUP=?
```

Response(s)

```
OK  
ERROR  
+CME ERROR
```

Exec Command

```
AT+CHUP
```

Response(s)

```
OK  
ERROR  
+CME ERROR
```

PIN	ASC0	MUX1	MUX2	MUX3
●	●	●	●	●

Reference(s)

GSM 07.07

Command Description

Cancels all active and held calls.

Note

- [AT+CHUP](#) implements the same behaviour as [ATH](#).

7.10 ATSO Set number of rings before automatically answering a call

Syntax

```
Read Command
ATSO?

Response(s)
<n>
OK
ERROR
```

```
Write Command
ATSO=<n>

Response(s)
OK
ERROR
```

PIN	ASC0	MUX1	MUX2	MUX3
<input type="radio"/>	<input checked="" type="radio"/>	<input checked="" type="radio"/>	<input checked="" type="radio"/>	<input checked="" type="radio"/>

```
Reference(s)
V.25ter
```

Command Description

This parameter setting determines the number of rings before automatic answering.

Parameter Description

<n> (num)(&W)(&V)	
000(&F)	automatic answering is disabled
001-255	enable automatic answering on the specified ring number (not supported on Mux2/3)

Notes

- This command works for MT data and fax calls.
- Autoanswering of CSD data and fax calls is supported on ASC0/Mux1 only.
- If <n> is set to higher values, the calling party may terminate the call establishment before the call can be automatically answered.
- The correlation between [ATS7](#) and [ATS0](#) is important.
Example: ATS7=30 and ATS0=20 may not allow call establishment.
- Setting is local to the interface.

7.11 ATS6 Set pause before blind dialing

Syntax

Read Command

ATS6?

Response(s)

<n>

OK

Write Command

ATS6=<n>

Response(s)

OK

ERROR

PIN	ASC0	MUX1	MUX2	MUX3
<input type="radio"/>	<input checked="" type="radio"/>	<input checked="" type="radio"/>	<input type="radio"/>	<input type="radio"/>

Reference(s)

V.25ter

Command Description

No effect for GSM.

Parameter Description

<n>^{(num)(&W)(&V)}

000^(&F)...255

7.12 ATS7 Set number of seconds to wait for connection completion

Syntax

Read Command

ATS7?

Response(s)

<n>

OK

Write Command

ATS7=<n>

Response(s)

OK

ERROR

PIN	ASC0	MUX1	MUX2	MUX3
<input type="radio"/>	<input checked="" type="radio"/>	<input checked="" type="radio"/>	<input type="radio"/>	<input type="radio"/>

Reference(s)

V.25ter

Command Description

This parameter specifies the amount of time, in seconds, that the ME shall allow between either answering a call (automatically or by the A command) or completion of signalling of call addressing information to network (dialling), and establishment of a connection with the remote DCE.

Parameter Description

<n>^{(num)(&W)(&V)}

no. of seconds to wait for connection completion

000...060^(&F)

Notes

- Values bigger than 60 cause no error, but <n> will be set down to maximum value of 60.
- In <n> of [ATS0](#) of the called party is set to higher values the call establishment may not be successful.
- The correlation between [ATS7](#) and [ATS0](#) is important.
Example: ATS7=30 and ATS0=20 may not allow call establishment.

7.13 ATS8 Set number of seconds to wait for comma dialing modifier

This command specifies the amount of time, in seconds, that the DCE shall pause, during signalling of call addressing information to the network (dialling), when a "," (comma) dial modifier is encountered in a dial string.

Syntax

Read Command

ATS8?

Response(s)

<n>

OK

Write Command

ATS8=<n>

Response(s)

OK

ERROR

PIN ASC0 MUX1 MUX2 MUX3

Reference(s)

V.25ter

Command Description

No effect for GSM.

Parameter Description

<n>^{(num)(&W)(&V)}

0(&F)	DCE does not pause when "," encountered in dial string
1...255	Number of seconds to pause

7.14 AT\$10 Set disconnect delay after indicating the absence of data carrier

Syntax

Read Command

AT\$10?

Response(s)

<n>

OK

Write Command

AT\$10=<n>

Response(s)

OK

ERROR

PIN	ASC0	MUX1	MUX2	MUX3
<input type="radio"/>	<input checked="" type="radio"/>	<input checked="" type="radio"/>	<input type="radio"/>	<input type="radio"/>

Reference(s)

V.25ter

Command Description

This parameter setting determines the amount of time, that the TA remains connected in absence of a data carrier. If the data carrier is detected before disconnect, the TA remains connected.

Parameter Description

<n>^{(num)(&W)(&V)}

number of tenths of seconds of delay

001...2^(&F)...254

7.15 ATP Select pulse dialing

Syntax

Exec Command
ATP
Response(s)
OK

PIN	ASC0	MUX1	MUX2	MUX3
<input type="radio"/>	<input checked="" type="radio"/>	<input checked="" type="radio"/>	<input type="radio"/>	<input type="radio"/>

Reference(s)
V.25ter

Note

- No effect for GSM.

7.16 ATO Switch from command mode to data mode / PPP online mode

Syntax

Exec Command

```
ATO[<n>]
```

Response(s)

If connection is not successfully resumed:

```
NO CARRIER
```

or

TA returns to data mode from command mode

```
CONNECT <text>
```

Note: <text> output only if [ATX](#) parameter setting with value > 0.

PIN	ASC0	MUX1	MUX2	MUX3
<input type="radio"/>	<input checked="" type="radio"/>	<input checked="" type="radio"/>	<input type="radio"/>	<input type="radio"/>

Reference(s)

V.25ter

Command Description

[ATO](#) is the corresponding command to the `+++` escape sequence: When you have established a CSD call or a GPRS connection and TA is in command mode, [ATO](#) causes the TA to resume the data or GPRS connection and takes you back to data mode or PPP online mode.

Parameter Description

<n>^(num)

[0] Switch from command mode to data mode

7.17 +++ Switch from data mode to command mode

Syntax

```
Exec Command
+++

Response(s)
OK
```

PIN	ASC0	MUX1	MUX2	MUX3
<input type="radio"/>	<input checked="" type="radio"/>	<input checked="" type="radio"/>	<input checked="" type="radio"/>	<input checked="" type="radio"/>

```
Reference(s)
V.25ter
```

Command Description

This command is only available during a CSD call or a GPRS connection. The +++ character sequence causes the TA to cancel the data flow over the AT interface and switch to command mode. This allows you to enter AT commands while maintaining the data connection to the remote device or, accordingly, the GPRS connection. To prevent the +++ escape sequence from being misinterpreted as data, it must be preceded and followed by a pause of at least 1000 ms. The +++ characters must be entered in quick succession, all within 1000 ms.

Note

- To return from command mode to data or PPP online mode: Enter [ATO](#).

7.18 ATT Select tone dialing

Syntax

Exec Command

ATT

Response(s)

OK

PIN

ASC0

MUX1

MUX2

MUX3



Reference(s)

V.25ter

Note

- No effect for GSM.

7.19 AT+CBST Select bearer service type

Syntax

Test Command

AT+CBST=?

Response(s)

+CBST: (list of supported<speed>s), (list of supported<name>s), (list of supported<ce>s)
OK

Read Command

AT+CBST?

Response(s)

+CBST: <speed>, <name>, <ce>
OK

Write Command

AT+CBST=<speed>[, <name>[, <ce>]]

Response(s)

OK
ERROR

PIN	ASC0	MUX1	MUX2	MUX3
<input type="radio"/>	<input checked="" type="radio"/>	<input checked="" type="radio"/>	<input type="radio"/>	<input type="radio"/>

Reference(s)

GSM 07.07

Command Description

The write command selects the bearer service <name>, the data rate <speed> and the connection element <ce> to be used when data calls are originated. The settings also apply to mobile terminated data calls, especially when single numbering scheme calls or calls from analog devices are received (see also: AT+CSNS).

Parameter Description

<speed>^{(num)(&W)(&V)}

0	auto bauding
4	2400 bps (V.22bis)
6	4800 bps (V.32)
[7] ^(&F)	9600 bps (V.32)
14	14400 bps (V.34)

68	2400 bps (V.110)
70	4800 bps (V.110)
71	9600 bps (V.110)
75	14400 bps (V.110)

<name>^{(num)&W}

0^(&F) asynchronous modem

<ce>^{(num)&W}

Transparent mode is not supported.

1^(&F) non-transparent

Note

- GSM 02.02[1]: List of allowed combinations of subparameters.

7.20 AT+CRLP Select radio link protocol parameters for originated non-transparent data calls

Syntax

Test Command

```
AT+CRLP=?
```

Response(s)

```
+CRLP: (list of supported<iws>s), (list of supported<mws>s), (list of supported<T1>s), (list of supported<N2>s)  
OK
```

Read Command

```
AT+CRLP?
```

Response(s)

```
+CRLP: <iws>, <mws>, <T1>, <N2>[, <verx>]  
OK
```

Write Command

```
AT+CRLP=[<iws>[, <mws>[, <T1>[, <N2>]]]]
```

Response(s)

```
OK  
ERROR  
+CME ERROR: <err>
```

PIN	ASC0	MUX1	MUX2	MUX3
<input type="radio"/>	<input checked="" type="radio"/>	<input checked="" type="radio"/>	<input type="radio"/>	<input type="radio"/>

Reference(s)

GSM 07.07

Command Description

Read command returns current settings for the supported RLP version 0.

The Write command sets radio link protocol (RLP) parameters used when non-transparent data calls are originated.

Parameter Description

<iws>^{(num)(&W)(&V)}

Interworking window size (IWF to MS)

0...[10]...61^(&F)

<mws>^{(num)(&W)(&V)}

Mobile window size (MS to IWF)

0...[10]...61^(&F)

<T1>^{(num)(&W)(&V)}

Acknowledgement timer (T1 in 10 ms units)

48...[78]^(&F)...255

<N2>^{(num)(&W)(&V)}

Re-transmission attempts N2

1...[6]^(&F)...255

<verx>^(num)

0

RLP version number in integer format; when version indication is not present it shall equal 0.

Notes

- RLP version 0: single-link basic version;
- RLP version 1: single-link extended version (e.g. extended by data compression);
- RLP version 2: multi-link version.
- Compression and multi-link are not supported.

7.21 AT+CLCC List current calls of ME

Syntax

Test Command

```
AT+CLCC=?
```

Response(s)

```
OK
```

Exec Command

```
AT+CLCC
```

Response(s)

```
[+CLCC: <idx>, <dir>, <stat>, <mode>, <mpty>[, <number>, <type>[, <alpha>]]]
[+CLCC: <idx>, <dir>, <stat>, <mode>, <mpty>[, <number>, <type>[, <alpha>]]]
[+CLCC: ...]
OK
ERROR
+CME ERROR
```

PIN	ASC0	MUX1	MUX2	MUX3
●	●	●	●	●

Reference(s)

GSM 07.07

Command Description

The exec command returns a list of current calls of ME. If command is successful, but no calls are available, no information response is sent to TE.

Parameter Description

<idx>^(num)

call identification number as described in GSM02.30 subclause 4.5.5.1; this number can be used in [AT+CHLD](#) command operations

<dir>^(num)

0	mobile originated call (MOC)
1	mobile terminated call (MTC)

<stat>^(num)

state of the call

0	active
---	--------

1	held
2	dialing (MOC)
3	alerting (MOC)
4	incoming (MTC)
5	waiting (MTC)

<mode>^(num)

bearer/teleservice

0	voice
1	data
2	fax
3	voice followed by data, voice mode (only in connection with single numbering scheme AT+CSNS)
4	alternating voice/data, voice mode (only in connection with single numbering scheme AT+CSNS)
5	alternating voice/fax, voice mode (only in connection with single numbering scheme AT+CSNS)
6	voice followed by data, data mode (only in connection with single numbering scheme AT+CSNS)
7	alternating voice/data, data mode (only in connection with single numbering scheme AT+CSNS)
8	alternating voice/fax, fax mode (only in connection with single numbering scheme AT+CSNS)
9	unknown

<mpty>^(num)

0	call is not one of multiparty (conference) call parties
1	call is one of multiparty (conference) call parties

<number>^(str)

phone number in format specified by [<type>](#)

<type>^(num)

type of address octect

145	dialling string <number> includes international access code character '+'
129	otherwise

<alpha>^{(str)(+CSCS)}

Alphanumeric representation of [<number>](#) corresponding to the entry found in phonebook; used character set should be the one selected with command [AT+CSCS](#) (Select TE Character Set).

The maximum displayed length of [<alpha>](#) is 16 characters. If the [<alpha>](#) has more than 16 characters, only the first 15 characters will be displayed. To indicated an overflow, a special character will be used as the 16th character. This will be a space if the character set selected with [AT+CSCS](#) is 'GSM', or 'E400' if the character set

is 'UCS2'.

Due to time constraints on the necessary evaluation of the phonebook, this parameter may show a default value during early call phases (e.g. for `<stat>`= "dialling", "incoming" or "alerting"), even if a phonebook entry is present for the number concerned.

Note

- teleservices other than voice, data, fax are not fully supported by ME. They are used only in connection with the handling for `AT+CSNS`, and may therefore occur in parameter `<mode>` for mobile terminated calls.

7.22 AT+CR Service reporting control

Syntax

Test Command

AT+CR=?

Response(s)

+CR: (list of supported <mode>s)

OK

ERROR

Read Command

AT+CR?

Response(s)

+CR: <mode>

OK

ERROR

Write Command

AT+CR=<mode>

Response(s)

OK

ERROR

PIN	ASC0	MUX1	MUX2	MUX3
●	●	●	●	●

Reference(s)

GSM 07.07

Intermediate Result Code

If enabled, an intermediate result code is transmitted at the point during connect negotiation when the TA has determined the speed and quality of service to be used, before any error control or data compression reports are transmitted, and before any final result code (e.g. CONNECT) appears.

+CR: <serv>

Command Description

Configures the TA whether or not to transmit an intermediate result code +CR: <serv> to TE when a call is being set up.

Parameter Description

<mode>^{(num)(&W)(&V)}

0 ^(&F)	disable
1	enable

<serv>^(str)

"REL ASYNC"	asynchronous non-transparent
"GPRS"	GPRS

Notes

- The PLMN influences the second air interface (to the terminator), therefore another mode may be established from the network.
- Setting the value of <mode> to 1 may lead to connection failure, if the application (e.g. WinFax) waits for default result code/URC.

7.23 AT+CRC Set Cellular Result Codes for incoming call indication

Syntax

Test Command

AT+CRC=?

Response(s)

+CRC: (list of supported <mode>s)
OK
ERROR

Read Command

AT+CRC?

Response(s)

+CRC: <mode>
OK
ERROR

Write Command

AT+CRC=[<mode>]

Response(s)

OK
ERROR

PIN	ASC0	MUX1	MUX2	MUX3
<input type="radio"/>	<input checked="" type="radio"/>	<input checked="" type="radio"/>	<input checked="" type="radio"/>	<input checked="" type="radio"/>

Reference(s)

GSM 07.07

Unsolicited Result Code

When enabled, an incoming call is indicated to the TE with unsolicited result code +CRING: <type> instead of the normal RING.

+CRING: <type>

Command Description

The command controls whether or not the extended format of incoming call indication is used.

Parameter Description

<mode>^{(num)(&W)(&V)}

[0] ^(&F)	disable extended format
1	enable extended format

<type>^(str)

“REL ASYNC“	asynchronous non-transparent
“FAX“	facsimile
“VOICE“	voice
“GPRS“	<PDP_type> , <PDP_addr> [, [<L2P>][, <APN>]] GPRS network request for PDP context activation

Note

- Setting the value of [<mode>](#) to 1 may lead to connection failure, if the application (e.g. WinFax) waits for default result code/URC.

7.24 AT+CSNS Single Numbering Scheme

Syntax

Test Command

AT+CSNS=?

Response(s)

+CSNS: (list of supported <mode>s)
OK

Read Command

AT+CSNS?

Response(s)

+CSNS: <mode>
OK

Write Command

AT+CSNS=[<mode>]

Response(s)

OK
ERROR
+CME ERROR

PIN	ASC0	MUX1	MUX2	MUX3
<input type="radio"/>	<input checked="" type="radio"/>	<input checked="" type="radio"/>	<input checked="" type="radio"/>	<input checked="" type="radio"/>

Reference(s)

GSM 07.07

Command Description

The [AT+CSNS](#) command enables the ME to accept incoming calls when no bearer capability information is provided with the call, e.g. single numbering scheme calls or calls originating from analog devices.

Parameter Description

<mode>^(num)

[0] ^(D)	Voice: Each call received without bearer element is assumed to be speech
2	Fax: Each call received without bearer element is assumed to be an incoming fax.
4	Data: Each call received without bearer element is assumed to be a data call. Please take into account that the bearer service parameters set with AT+CBST apply to all data calls including those received without bearer capability.

Notes

- The command must be set before the call comes. By default, when you do not modify the settings, all calls received without bearer element are assumed to be voice.
- The setting will be automatically saved when you power down the GSM engine with [AT^SMSO](#), provided that PIN authentication has been done. This value will be restored when PIN authentication is done again.

7.25 AT^SCNI List Call Number Information

Syntax

Test Command

```
AT^SCNI=?
```

Response(s)

```
OK
```

Exec Command

```
AT^SCNI
```

Response(s)

```
^SCNI: <id>1[,<cs>[,<number>,<type>]]
```

```
^SCNI: <id>2[,<cs>[,<number>,<type>]]
```

```
[...]
```

```
OK
```

```
ERROR
```

```
+CME ERROR: <err>
```

PIN	ASC0	MUX1	MUX2	MUX3
●	●	●	●	●

Reference(s)

SIEMENS

Command Description

TA returns a list of current calls of ME.

Parameter Description

<id>^(num)

call identification number as described in GSM 02.30[19] subclause 4.5.5.1; this number can be used in [AT+CHLD](#) command operations

1...7

<cs>^(num)

Call status of respective call number (first parameter)

0 call hold

1 call in progress

2 waiting call

<number>^(str)

string type phone number in format specified by <type>

<type>^(num)

type of address octet in integer format; 145 when dialling string includes international access code character "+", otherwise 129

Note

- See also GSM 07.07: [AT+CLCC](#)

7.26 AT^SLCD Display Last Call Duration

Syntax

Test Command

```
AT^SLCD=?
```

Response(s)

```
OK  
ERROR  
+CME ERROR
```

Exec Command

```
AT^SLCD
```

Response(s)

```
^SLCD: <time>  
OK  
ERROR  
+CME ERROR
```

PIN	ASC0	MUX1	MUX2	MUX3
●	●	●	●	●

Reference(s)

SIEMENS

Command Description

TA returns last call duration or current call duration.

Parameter Description

<time>^(str)

Format is "hh:mm:ss", where characters indicate hours, minutes, seconds; E.g. 22:10:00 "22:10:00"
Max value is 9999:59:59

7.27 AT^STCD Display Total Call Duration

Syntax

Test Command

```
AT^STCD=?
```

Response(s)

```
OK  
ERROR  
+CME ERROR
```

Exec Command

```
AT^STCD
```

Response(s)

```
^STCD: <time>  
OK  
ERROR  
+CME ERROR
```

PIN	ASC0	MUX1	MUX2	MUX3
●	●	●	●	●

Reference(s)

SIEMENS

Command Description

TA returns total call duration (accumulated duration of all calls).

Parameter Description

<time>^(str)

Format is "hh:mm:ss", where characters indicate hours, minutes, seconds; E.g. 22:10:00 "22:10:00"
Max value is 9999:59:59

Note

- The Total Call Duration will not be reset by power off or other means.

8. Network Service Commands

The AT Commands described in this chapter are related to various network services. More commands related to this area can be found in Chapter 9., [Supplementary Service Commands](#).

8.1 AT+COPN Read operator names

Syntax

Test Command

```
AT+COPN=?
```

Response(s)

```
OK  
ERROR  
+CME ERROR
```

Exec Command

```
AT+COPN
```

Response(s)

```
+COPN: <numeric>, <alphan>  
+COPN: ...  
OK  
ERROR  
+CME ERROR
```

PIN	ASC0	MUX1	MUX2	MUX3
●	●	●	●	●

Reference(s)

```
GSM 07.07
```

Command Description

TA returns the list of operator names from the ME. Each operator code [<numeric>](#) that has an alphanumeric equivalent [<alphan>](#) in the ME memory is returned. See also: [AT^SPLM](#).

Parameter Description

[<numeric>](#)^(str)

Operator in numeric form; GSM location area identification number.

`<alphan>(str)`

Operator in long alphanumeric format; can contain up to 16 characters.

8.2 AT+COPS Operator selection

This command can be used to query the present status of the ME's network registration and to determine whether automatic or manual network selection shall be used.

Automatic mode: Lets the ME automatically search for the home operator. If successful the ME registers to the home network and enters the IDLE mode. If the home network is not found, ME goes on searching. If then a permitted operator is found, ME registers to this operator. If no operator is found the ME remains unregistered.

Manual mode: Desired operator can be manually entered, using the AT+COPS write command syntax. If operator is found, ME registers to this operator immediately. If the selected operator is forbidden, the ME remains unregistered.

Manual/automatic: In this mode, the ME first tries to find the operator that was manually entered. If the ME fails to register to this operator, then it starts to select automatically another network.

Syntax

Test Command

```
AT+COPS=?
```

Response(s)

```
+COPS:[list of supported:( <stat>, long alphanumeric <oper>, , numeric <oper>)][, , list of supported  
<mode>s, list of supported <format>s]  
OK  
ERROR  
+CME ERROR
```

Read Command

```
AT+COPS?
```

Response(s)

```
+COPS:<mode>[, <format>[, <oper>]]  
OK  
ERROR  
+CME ERROR
```

Write Command

```
AT+COPS=<mode>[, <format>[, <oper>]]
```

Response(s)

```
OK  
ERROR  
+CME ERROR
```

PIN	ASC0	MUX1	MUX2	MUX3
<input type="radio"/>	<input checked="" type="radio"/>	<input checked="" type="radio"/>	<input checked="" type="radio"/>	<input checked="" type="radio"/>

Reference(s)

GSM 07.07

Command Description

The test command returns a list of quadruplets, each representing an operator present in the network. Any of the formats may be unavailable and will then be an empty field (,,). The list of operators comes in the following order: Home network, networks referenced in SIM, and other networks.

The read command returns the current `<mode>` and the currently selected operator. If no operator is selected, `<format>` and `<oper>` are omitted.

The write command forces an attempt to select and register the GSM network operator. If the selected operator is not available, no other operator will be selected (except `<mode>=4`). The selected operator name format will apply to further read commands (+COPS?), too.

Parameter Description

`<stat>`^(num)

Status

0	unknown
1	operator available
2	operator current
3	operator forbidden

`<oper>`^(&V)

Operator

Parameter is stored non-volatile to the SIM. Operator as per `<format>`. The numeric format is the GSM Location Area Identification number which consists of a 3-digit country code plus a 2- or 3-digit network code.

`<mode>`^{(num)&(V)}

parameter values 0 and 1 are stored non-volatile in the ME

0 ^(D)	automatic mode; <code><oper></code> field is ignored
1	manual operator selection Write command requires <code><oper></code> . <code><format></code> value shall be 2. Read command returns the current <code><mode></code> and the currently selected <code><oper></code> . If no operator is selected, <code><format></code> and <code><oper></code> are omitted.
2	manual deregister from network and remain unregistered until <code><mode>=0,1,4</code> is selected
3	set only <code><format></code> (for read command +COPS?)
4	automatic, manual selected; if manual selection fails, automatic mode (<code><mode>=0</code>) is entered (<code><oper></code> field will be present)

`<format>`^{(num)&(W)&(V)}

parameter can be stored non-volatile in the user profile using AT&W

0 ^(&F)	long format alphanumeric <code><oper></code> ; up to 16 characters
2	numeric <code><oper></code> ; GSM Location Area Identification number

Notes

- `AT+COPS` settings are effective over all interfaces of the MC35i.

- When using the `AT+COPS=?` command during an ongoing GPRS transfer, the transfer will be interrupted for up to 1 minute.

8.3 AT+CREG Network registration

Syntax

Test Command

AT+CREG=?

Response(s)

+CREG: (list of supported<n>s)
OK

Read Command

AT+CREG?

Response(s)

+CREG: <n>, <stat>[, <lac>, <ci>]
OK
ERROR
+CME ERROR: <err>

Write Command

AT+CREG=[<n>]

Response(s)

OK
ERROR
+CME ERROR: <err>

PIN	ASC0	MUX1	MUX2	MUX3
<input type="radio"/>	<input checked="" type="radio"/>	<input checked="" type="radio"/>	<input checked="" type="radio"/>	<input checked="" type="radio"/>

Reference(s)

GSM 07.07

Unsolicited Result Codes

URC 1

If <n>=1 and there is a change in the ME network registration status:

+CREG: <stat>

URC 2

If <n>=2 and there is a change in the ME network registration status or a change of the network cell:

+CREG: <stat>[, <lac>, <ci>]

Command Description

Read command returns the URC presentation mode `<n>` and an integer `<stat>` that shows the registration status of the ME. The location information elements `<lac>` and `<ci>` are returned only when `<n>=2` and ME is registered to the network.

Use the write command to select the type of URC. Two types of URCs are available:

`<n>=1: +CREG:<stat>`

`<n>=2: +CREG:<stat>[,<lac>,<ci>]`

Parameter Description

<code><n></code> ^{(num)(&W)(&V)}	
0(&F)	disable URCs
1	enable URC +CREG:<stat> to report status of network registration
2	enable URC +CREG:<stat>[,<lac>,<ci>] to report status of network registration including location information. Please note that optional parameters will not be displayed during call.
<code><stat></code> ^{(num)(&V)}	
0	<p>Not registered, ME is currently not searching for new operator There is a technical problem. User intervention is required. Yet, emergency calls can be made if any network is available. Probable causes.</p> <ul style="list-style-type: none"> No SIM-Card available No PIN entered No valid Home PLMN-Entry found on the SIM
1	Registered to home network
2	<p>Not registered, but ME is currently searching for a new operator. The ME searches for an available network. Failure to log in until after more than a minute may be due to one of the following causes:</p> <ul style="list-style-type: none"> No network available or insufficient Rx level. The ME has no access rights to the networks available. Networks from the SIM list of allowed networks are around, but login fails due to one of the following reasons: <ul style="list-style-type: none"> #11 ... PLMN not allowed #12 ... Location area not allowed #13 ... Roaming not allowed in this location area <p>After this, the search will be resumed (if automatic network search is enabled).</p> <ul style="list-style-type: none"> The Home PLMN or an allowed PLMN is available, but login is rejected by the cell (reasons: Access Class or LAC). <p>If at least one network is available, emergency calls can be made.</p>
3	<p>Registration denied</p> <ul style="list-style-type: none"> If automatic network search is enabled: Authentication or registration fails after Location Up-date Reject due to one of the following causes: <ul style="list-style-type: none"> #2 ... IMSI unknown at HLR #3 ... Illegal MS

- #6 ... Illegal ME

Either the SIM or the MS or the ME are unable to log into any network. User intervention is required. Emergency calls can be made, if any network is available.

- Only if manual network search is enabled:
Manual registration fails after Location Update Reject due to the following causes:
 - #2 ... IMSI unknown at HLR
 - #3 ... Illegal MS
 - #6 ... Illegal ME
 - #11 ... PLMN not allowed
 - #12 ... Location area not allowed
 - #13 ... Roaming not allowed in this location area

No further attempt is made to search or log into a network. Emergency calls can be made if any network is available.

4	Unknown (not used)
5	Registered, roaming The ME is registered at a foreign network (national or international network)

<lac>^(str)

Two byte location area code in hexadecimal format (e.g. "00C3" equals 193 in decimal).

<ci>^(str)

Two byte cell ID in hexadecimal format.

Note

- Optional parameters will not be displayed during a call.

Example

AT+CREG=2	Activates extended URC mode.
OK	
AT+COPS=0	Forces ME to automatically search network operator
OK	
+CREG: 2	URC reports that ME is currently searching.
+CREG: 1, "0145", "291A"	URC reports that operator has been found.

8.4 AT+CSQ Signal quality

Syntax

Test Command

AT+CSQ=?

Response(s)

+CSQ: (list of supported<rssi>s), (list of supported<ber>s)
OK

Exec Command

AT+CSQ

Response(s)

+CSQ: <rssi>,<ber>
OK

PIN	ASC0	MUX1	MUX2	MUX3
○	●	●	●	●

Reference(s)

GSM 07.07

Command Description

TA returns received signal strength indication <rssi> and channel bit error rate <ber> from the ME.

Parameter Description

<rssi>^(num)

0	-113 dBm or less
1	-111 dBm
2..30	-109... -53 dBm
31	-51 dBm or greater
99	not known or not detectable

<ber>^(num)

To check the bit error rate there must be a call in progress to obtain realistic values. If no call is set up, there is no BER to be determined. In this case the indicated value may be 0 or 99, depending on the SIM card.

0..7	as RXQUAL values in the table in GSM 05.08 section 8.2.4.
99	not known or not detectable

Note

- After using network related commands such as [AT+CCWA](#), [AT+CCFC](#), [AT+CLCK](#), users are advised to wait 3s before entering [AT+CSQ](#). This is recommended to be sure that any network access required for the preceding command has finished.

8.5 AT^SMONC Cell Monitoring

Syntax

Test Command

AT^SMONC=?

Response(s)

OK

Exec Command

AT^SMONC

Response(s)

^SMONC: <MCC>₁, <MNC>₁, <LAC>₁, <cell>₁, <BSIC>₁, <chann>₁, <RSSI>₁, <C1>₁, <C2>₁, <MCC>₂,
<MNC>₂, <LAC>₂, <cell>₂, <BSIC>₂, <chann>₂, <RSSI>₂, <C1>₂, <C2>₂, ...

OK

CME ERROR

PIN	ASC0	MUX1	MUX2	MUX3
●	●	●	●	●

Reference(s)

SIEMENS, 3GPP TS 05.08

Command Description

The output of the exec command contains 9 values from a maximum of 7 base stations. The first base station is the serving cell.

Parameter Description

<MCC>^(num)

Mobile country code

2 digits or 3 digits, e.g. 41 or 232

000 not decoded

<MNC>^(num)

Mobile network code

3 digits, e.g. 003

000 not decoded

<LAC>^(num)

Location area code

4 hexadecimal digits, e.g. 4EED

0000 not decoded

<cell>^(num)

Cell identifier

4 hexadecimal digits, e.g. 4EAF

0000 not decoded

<BSIC>^(num)

Base station identity code

2 digits, e.g. 32

00 not decoded

<chann>^(num)

ARFCN (Absolute Frequency Channel Number)

0 not decoded. In this case, all remaining parameters related to the same channel are neither decoded. For example, a non-existing cell appears as follows:
000,000,0000,0000,00,0,0,-,-

<RSSI>^(num)

Received signal level of the BCCH carrier (0..63). The indicated value is composed of the measured value in dBm plus an offset. This is in accordance with a formula specified in 3GPP TS 05.08

<C1>^(num)

Coefficient for base station reselection, e.g. 30. In dedicated mode, under certain conditions the parameter cannot be updated. In such cases a '-' is presented.

<C2>^(num)

Coefficient for base station reselection, e.g. 30. In dedicated mode, under certain conditions the parameter cannot be updated. In such cases a '-' is presented.

Note

- To some extent, the cell monitoring commands [AT^MONI](#), [AT^MONP](#) and [AT^SMONC](#) cover the same parameters. The receiving level, for example, can be queried with all three commands. Yet the resulting values may be slightly different, even though obtained over a time period of a few seconds. This is quite normal and nothing to worry about, as the cell information is permanently updated.

8.6 AT^MONI Monitor idle mode and dedicated mode

Syntax

Test Command

AT^MONI=?

Response(s)

^MONI : (list of supported <period>s)
OK

Exec Command

AT^MONI

Response(s)

See: Section 8.6.1, [AT^MONI responses](#)
OK

Write Command

AT^MONI=<period>

Response(s)

See: Section 8.6.1, [AT^MONI responses](#)
OK
ERROR
+CME ERROR

PIN	ASC0	MUX1	MUX2	MUX3
<input type="radio"/>	<input checked="" type="radio"/>	<input checked="" type="radio"/>	<input checked="" type="radio"/>	<input checked="" type="radio"/>

Reference(s)

SIEMENS

Command Description

The execute command can be used to retrieve the cell parameters of the serving/dedicated cell on request.

The write command can be used to retrieve information of the serving/dedicated cell automatically every <period> seconds. To stop the presentation type "AT" or "at".

Parameter Description

<period>^(num)

Display period in seconds

1...254

Notes

- The two header lines (see Section 8.6.1, AT^MONI responses) are output after every ten data lines.
- The length of following output lines exceeds 80 characters. Therefore a terminal program may draw a carriage return on a screen. However, this is not part of the response.

8.6.1 AT^MONI responses

ME is not connected:

a) ME is camping on a cell and registered to the network:

```
Serving Cell                                I Dedicated channel
chann rs  dBm  PLMN  LAC cell NCC BCC PWR RXLev C1 I chann TS timAdv PWR  dBm Q ChMod
1013  21  -71 00101 1001 0103  7  7  33  -105 33 I      No connection
```

b) ME is camping on a cell but not registered to the network (only emergency call allowed):

```
Serving Cell                                I Dedicated channel
chann rs  dBm  PLMN  LAC cell NCC BCC PWR RXLev C1 I chann TS timAdv PWR  dBm Q ChMod
1013  21  -71 00101 1001 0103  7  7  33  -105 33 I      Limited Service
```

c) ME camping on a cell, but searching for a better cell (cell reselection):

```
Serving Cell                                I Dedicated channel
chann rs  dBm  PLMN  LAC cell NCC BCC PWR RXLev C1 I chann TS timAdv PWR  dBm Q ChMod
1013  21  -71 00101 1001 0103  7  7  33  -105 33 I      Cell Reselection
```

d) ME is searching and could not (yet) find a suitable cell:

```
Serving Cell                                I Dedicated channel
chann rs  dBm  PLMN  LAC cell NCC BCC PWR RXLev C1 I chann TS timAdv PWR  dBm Q ChMod
Searching
```

ME is connected (Call in progress):

```
Serving Cell                                I Dedicated channel
chann rs  dBm  PLMN  LAC cell NCC BCC PWR RXLev C1 I chann TS timAdv PWR  dBm Q ChMod
1013  19  -76 00101 1001 0103  7  7  33  -105 33 I 1015  1      0  5  -76 0 S_HR
```

Columns for Serving Cell:

Column	Description
chann	ARFCN (Absolute Frequency Channel Number) of the BCCH carrier
rs	RSSI value 0 - 63 (RSSI = Received signal strength indication)
dBm	receiving level of the BCCH carrier in dBm
PLMN	PLMN ID code
LAC	location area code, see note below

Column	Description
cell	cell ID, see note below
NCC	PLMN colour code
BCC	base station colour code
PWR	maximal power level used on RACH channel in dBm
RXLev	minimal receiving level (in dBm) to allow registration
C1	coefficient for base station selection

Columns for Dedicated channel:

Column	Description
chann	ARFCN (Absolute Frequency Channel Number) of the TCH carrier Note: <chann> = h indicates frequency hopping.
TS	timeslot number
timAdv	timing advance in bits
PWR	current power level
dBm	receiving level of the traffic channel carrier in dBm
Q	receiving quality (0-7)
ChMod	channel mode (S_HR: Half rate, S_FR: Full rate, S_EFR: Enhanced Full Rate)

8.6.2 Service states

Depending on the service state, an additional textual output is generated (refer also to the response examples):

- 'Searching' - The MS is searching, but could not (yet) find a suitable cell. This output appears after restart of the MS or after loss of coverage.
- 'No connection' - The MS is camping on a cell and registered to the network. The service state is 'idle', i.e. there is no connection established or a dedicated channel in use.
- 'Cell Reselection' - The MS has not yet lost coverage but is searching for a better cell, since the cell reselection criterion is fulfilled.
- 'Limited Service' - The MS is camping on a cell but not registered to the network. Only emergency calls are allowed. The MS enters this state, for example, when
 - no SIM card is inserted, or PIN has not been given,
 - neither Home PLMN nor any other allowed PLMN are found,
 - registration request was not answered or denied by the network (use command AT+CREG to query the registration status),
 - authentication failed.

8.6.3 Notes

- The parameters LAC and cell are presented as hexadecimal digits, the remaining parameters are composed of decimal digits.
- If the radio cell changes during a connection, the parameters PWR, RXLev and C1 of the 'Serving Cell' part cannot be updated under certain conditions and therefore, are displayed as "-" (for conditions see also

[AT+CREG](#)). This is because the MS does not update the cell selection and reselection parameters since, in this mode, they are not relevant for operation. When the connection ends, and the mobile is back to IDLE mode, correct values will be given.

If the radio cell changes during a connection, it normally takes 1 or 2 seconds to update the parameters cell, NCC and BCC. Until the information is received from the new base station, the default values will be shown instead: cell="0000", NCC="-", BCC="-".

- If the BS supports frequency hopping during a connection, the dedicated channel (parameter chann) is not stable. This mode is indicated by chann = 'h'.
- To some extent, the cell monitoring command [AT^SMONC](#) covers the same parameters. The receiving level, for example, can be queried with both commands. Yet the resulting values may be slightly different, even though obtained over a time period of a few seconds. This is quite normal and nothing to worry about, as the cell information is permanently updated.
- for compatibility with earlier products and to support legacy applications, any input character may be used to stop the output in certain cases (depending on the settings of Section [4.7](#), [AT+IPR](#) and Section [4.8](#), [AT+CMUX](#)).

8.7 AT^MONP Monitor neighbour cells

Syntax

Test Command

AT^MONP=?

Response(s)

^MONP : (list of supported <period>s)
OK

Exec Command

AT^MONP

Response(s)

See: Section 8.7.1, [AT^MONP responses](#)
OK

Write Command

AT^MONP=<period>

Response(s)

See: Section 8.7.1, [AT^MONP responses](#)
OK
ERROR
+CME ERROR

PIN	ASC0	MUX1	MUX2	MUX3
<input type="radio"/>	<input checked="" type="radio"/>	<input checked="" type="radio"/>	<input checked="" type="radio"/>	<input checked="" type="radio"/>

Reference(s)

SIEMENS

Command Description

This command can be used to obtain information of up to six neighbour cells on request.

This command can be used to retrieve information of up to six neighbour cells automatically every n seconds. To stop the presentation type "at" or "AT".

Parameter Description

<period>^(num)

Display period in seconds

1...254

Note

- Due to the fact that not all necessary information of the neighbour cells can be decoded during a connection, there are several constraints to be considered:
 - Only neighbour cells that have already been visible in IDLE mode will be further updated, as long as they are still included in the list.
 - Though new neighbour cells can be added to the list (e.g. due to handover), their C1 and C2 parameters cannot be displayed until the connection is released. In this case "-" is presented for C1 and C2.
 - To some extent, the cell monitoring command [AT^SMONC](#) covers the same parameters. The receiving level, for example, can be queried with both commands. Yet the resulting values may be slightly different, even though obtained over a time period of a few seconds. This is quite normal and nothing to worry about, as the cell information is permanently updated.
 - For compatibility with earlier products and to support legacy applications, any input character may be used to stop the output in certain cases (depending on the settings of Section 4.7, [AT+IPR](#) and Section 4.8, [AT+CMUX](#)).

8.7.1 AT^MONP responses

Response of [AT^MONP](#) (Example):

chann	rs	dBm	MCC	MNC	BCC	C1	C2
653	26	-84	262	07	0	22	22
660	20	-90	262	07	3	16	16
687	19	-91	262	07	1	15	15
678	14	-96	262	07	3	10	10
671	14	-96	262	07	1	10	10
643	10	-100	262	07	7	6	6

Column	Description
Chann	ARFCN (Absolute Radio Frequency Channel Number) of the BCCH carrier
rs	RSSI value 0 - 63 (RSSI = Received signal strength indication)
dBm	Receiving level in dBm
MCC	Mobile Country Code (first part of the PLMN code)
MNC	Mobile Network Code (second part of the PLMN code)
BCC	Base Station colour code
C1	cell selection criterion
C2	cell reselection criterion

8.8 AT^SMONG GPRS Monitor

Syntax

Test Command

AT^SMONG=?

Response(s)

^SMONG: (list of supported <table>s), (list of supported <period>s)

OK

ERROR

+CME ERROR

Exec Command

AT^SMONG

Response(s)

GPRS Monitor

Cell Info Table (see: Section 8.8.1, [AT^SMONG Cell Info Table](#))

OK

ERROR

+CME ERROR

Write Command

AT^SMONG=<table>[, <period>]

Response(s)

^SMONG: GPRS Monitor

Cell Info Table (see: Section 8.8.1, [AT^SMONG Cell Info Table](#))

OK

ERROR

+CME ERROR

PIN	ASC0	MUX1	MUX2	MUX3
●	●	●	●	●

Reference(s)

SIEMENS

Command Description

The execute command can be used to retrieve GPRS specific cell information directly on request. The cell data will be output only once on a single line.

The write command can be used to retrieve GPRS specific cell information directly on request or automatically every n seconds. To stop the presentation type "at" or "AT".

Parameter Description

<table>^(num)

1 Cell Info Table

<period>^(num)

Display period in seconds

If <period> is omitted the cell data will be presented only once on a single line (as if Execute command was issued).

If <period> is given, the cell data will be listed repeatedly on 10 data lines. Every 10th data line is followed by the header, simply to repeat the column titles.

1...100

Note

- For compatibility with earlier products and to support legacy applications, often any input character will stop the periodic output of the write command. But since this applies only in certain cases (depending on the settings of Section 4.7, AT+IPR and Section 4.8, AT+CMUX), it is recommended to always use "at" or "AT".

8.8.1 AT^SMONG Cell Info Table

Example output for AT^SMONG:

```
GPRS Monitor
BCCH G PBCCH PAT MCC MNC NOM TA RAC # Cell #
0637 1 - 4 234 05 2 00 0B
```

Columns of the cell info table:

Column	Description
BCCH	ARFCN of BCCH carrier
G	GPRS supported ("1") or not supported "-"
PBCCH	If PBCCH is present, indication of ARFCN, else "-" or if Frequency Hopping is used "H"
PAT	Priority Access Threshold (GSM Rec. 04.08 / 10.5.2.37b) 0 Packet access is not allowed in the cell 1 Spare, shall be interpreted as "000" (packet access not allowed) 2 Spare, shall be interpreted as "000" (packet access not allowed) 3 Packet access is allowed for priority level 1 4 Packet access is allowed for priority level 1 to 2
MCC	Mobile Country Code
MNC	Mobile Network Code
NOM	Network Operation Mode (1...3)
TA	Timing Advance Value
RAC	Routing Area Code (as hexadecimal value)

8.9 AT^SHOM Display Homezone

Syntax

Test Command

```
AT^SHOM=?
```

Response(s)

```
OK
```

Exec Command

```
AT^SHOM
```

Response(s)

```
^SHOM: <homezonestate>
```

```
OK
```

```
ERROR
```

```
+CME ERROR: <err>
```

PIN	ASC0	MUX1	MUX2	MUX3
<input type="radio"/>	<input checked="" type="radio"/>	<input checked="" type="radio"/>	<input checked="" type="radio"/>	<input checked="" type="radio"/>

Reference(s)

```
SIEMENS
```

Command Description

TA returns homezone state. Result is valid only, if network registration state *<stat>* is 1 (registered) (see [AT+CREG](#)).

Feature is available only for supported network operators (Viag, One2One, Orange and LCI) and requires a suitable SIM card. If the homezone feature is not supported by the network operator or SIM card, result is always 0.

Parameter Description

<homezonestate>^(num)

0	ME is out of Homezone
1	ME is within the Homezone

8.10 AT^SPLM Read the PLMN list

Syntax

Test Command

```
AT^SPLM=?
```

Response(s)

```
OK
```

If error is related to ME functionality:

```
ERROR
```

```
+CME ERROR: <err>
```

Exec Command

```
AT^SPLM
```

Response(s)

```
^SPLM:<numeric>, long <alpha>
```

```
^SPLM:[... ]
```

```
OK
```

If error is related to ME functionality:

```
ERROR
```

```
+CME ERROR
```

PIN	ASC0	MUX1	MUX2	MUX3
●	●	●	●	●

Reference(s)

GSM 07.07

Command Description

The execute command returns the list of operators from the ME. Each operator code [<numeric>](#) that has an alphanumeric equivalent [<alpha>](#) in the ME memory is returned. The list is sorted by operator codes.

Parameter Description

[<numeric>](#)^(str)

Operator in numeric form; GSM location area identification number

[<alpha>](#)^(str)

Operator in long alphanumeric format; can contain up to 16 characters

Note

- See also GSM 07.07: [AT+COPN](#), [AT+COPS](#)

8.11 AT^SPLR Read entry from the preferred operators list

Syntax

Test Command

```
AT^SPLR=?
```

Response(s)

```
^SPLR:(list of supported) <indexa>s  
OK  
ERROR  
+CME ERROR: <err>
```

Write Command

```
AT^SPLR=<index1>[, <index2>]
```

Response(s)

```
^SPLR: <index1><oper>  
^SPLR: <index2><oper>  
OK  
ERROR  
+CME ERROR: <err>
```

PIN	ASC0	MUX1	MUX2	MUX3
●	●	●	●	●

Reference(s)

SIEMENS

Command Description

The test command returns the whole index range supported by the SIM.

The write command returns used entries from the SIM list of preferred operators with <indexa> between <index1> and <index2>. If <index2> is not given, only entry at <index1> is returned.

Parameter Description

<index1>^(num)

Location number to start reading from

<index2>^(num)

Location number where to stop reading

<indexa>^(num)

Index range supported by the SIM card (between <index1> and <index2>)

`<oper>`^(str)

Operator in numeric form; GSM location area identification number

Note

- See also GSM 07.07: AT+CPOL

8.12 AT^SPLW Write an entry to the preferred operators list

Syntax

Test Command

```
AT^SPLW=?
```

Response(s)

```
^SPLW:(list of supported) <index>s  
OK  
ERROR  
+CME ERROR:
```

Write Command

```
AT^SPLW=<index>[, <oper>]
```

Response(s)

```
OK  
ERROR  
+CME ERROR: <err>
```

PIN	ASC0	MUX1	MUX2	MUX3
●	●	●	●	●

Reference(s)

SIEMENS

Command Description

Test command returns the whole index range supported by the SIM.

Write command writes an entry to the SIM list of preferred operators at location number <index>. If <index> is given but <oper> is left out, the entry is deleted. An operator can be only once in the list.

Parameter Description

<index>^(num)

location number

<oper>^(str)

Operator in numeric format (GSM Location Area Identification number which consists of a 3-digit country code plus a 2- or 3-digit network code).

Note

- See also GSM 07.07: AT+CPOL

9. Supplementary Service Commands

The AT Commands described in this chapter are related to the Supplementary Services offered by the GSM network.

9.1 AT+CACM Accumulated call meter (ACM) reset or query

Syntax

Test Command

```
AT+CACM=?
```

Response(s)

```
OK
```

Read Command

```
AT+CACM?
```

Response(s)

```
+CACM: <acm>
```

```
OK
```

```
ERROR
```

```
+CME ERROR: <err>
```

Write Command

```
AT+CACM=[<passwd>]
```

Response(s)

```
OK
```

```
ERROR
```

```
+CME ERROR: <err>
```

PIN	ASC0	MUX1	MUX2	MUX3
●	●	●	●	●

Reference(s)

```
GSM 07.07
```

Command Description

The read command returns the current ACM value.

The write command resets the Advice of Charge related to the accumulated call meter (ACM) value in SIM file EF(ACM). ACM contains the total number of home units for both the current and preceding calls.

Parameter Description

<acm>^(str)

Three bytes of the current ACM value in hexadecimal format (e.g. "00001E" indicates decimal value 30) 000000 - FFFFFFFF.

<passwd>^(str)

SIM PIN2

9.2 AT^SACM Advice of charge and query of ACM and ACMmax

Syntax

Test Command

AT^SACM=?

Response(s)

^SACM: (list of supported <n>s)
OK

Exec Command

AT^SACM

Response(s)

^SACM: <n>, <acm>, <acmMax>
OK
ERROR
+CME ERROR: <err>

Write Command

AT^SACM=<n>

Response(s)

OK
ERROR
+CME ERROR: <err>

PIN	ASC0	MUX1	MUX2	MUX3
●	●	●	●	●

Reference(s)

SIEMENS

Unsolicited Result Code

+CCCM: <ccm>

When activated, an unsolicited result code is sent when the CCM value changes, but not more often than every 10 seconds.

Command Description

The execute command can be used to query the current mode of the Advice of Charge supplementary service, the SIM values of the accumulated call meter (ACM) and accumulated call meter maximum (ACMmax).

The write command enables or disables the presentation of unsolicited result codes to report the call charges.

Parameter Description

<n>^{(num)(&W)(&V)}

[0] ^(&F)	suppress unsolicited result code
1	display unsolicited result code

<acm>^{(str)(&V)}

Three bytes of the current ACM value in hexadecimal format (e.g. "00001E" indicates decimal value 30) 000000-FFFFFF

<acmMax>^{(str)(&V)}

Three bytes of the max. ACM value in hexadecimal format (e.g. "00001E" indicates decimal value 30) 000000 disable ACMmax feature 000001-FFFFFF

<ccm>^(str)

Three bytes of the current CCM value in hexadecimal format (e.g. "00001E" indicates decimal value 30); bytes are coded in the same way as ACMmax value in the SIM 000000-FFFFFF

Notes

- When you power down or reset the ME with [AT+CFUN=1,1](#) the URC presentation mode will be reset to its default. To benefit from the URC it is recommended to have the setting included in the user profile saved with [AT+W](#), or to select <n>=1 every time you reboot the ME.
- See also GSM07.07: [AT+CACM](#), [AT+CAMM](#), [AT+CAOC](#).

9.3 AT+CAMM Accumulated call meter maximum (ACMmax) set or query

Syntax

Test Command

```
AT+CAMM=?
```

Response(s)

```
OK
```

Read Command

```
AT+CAMM?
```

Response(s)

```
+CAMM: <acmmax>
```

```
OK
```

```
ERROR
```

```
+CME ERROR: <err>
```

Write Command

```
AT+CAMM=[<acmmax>[, <passwd>]]
```

Response(s)

```
OK
```

```
ERROR
```

```
+CME ERROR: <err>
```

PIN	ASC0	MUX1	MUX2	MUX3
●	●	●	●	●

Reference(s)

GSM 07.07

Command Description

The read command returns the current ACMmax value.

The write command sets the Advice of Charge related to the accumulated call meter maximum value in SIM file EF (ACMmax). ACMmax contains the maximum number of home units allowed to be consumed by the subscriber.

Parameter Description

<acmmax>^(str)

Three bytes of the max. ACM value in hexadecimal format (e.g. "00001E" indicates decimal value 30) 000000 disable ACMmax feature 000001-FFFFFF.

<passwd>^(str)

SIM PIN2

9.4 AT+CAOC Advice of Charge information

Syntax

Test Command

AT+CAOC=?

Response(s)

+CAOC: (list of supported <mode>s)

OK

Read Command

AT+CAOC?

Response(s)

+CAOC: <mode>

OK

Exec Command

AT+CAOC

Response(s)

ERROR

+CME ERROR: <err>

If <mode>=0, TA returns the current call meter value:

+CAOC: <ccm>

OK

Write Command

AT+CAOC=[<mode>]

Response(s)

ERROR

+CME ERROR: <err>

If <mode>=0, TA returns the current call meter value.

OK

PIN	ASC0	MUX1	MUX2	MUX3
●	●	●	●	●

Reference(s)

GSM 07.07

Command Description

Execute command returns the current call meter value.

The write command sets the Advice of Charge supplementary service function mode.

Parameter Description

<mode>^{(num)&V}

0	query CCM value
---	-----------------

<ccm>^(str)

Three bytes of the current CCM value in hexadecimal format (e.g. "00001E" indicates decimal value 30); bytes are similarly coded as ACMmax value in the SIM 000000-FFFFFF.

9.5 AT+CCUG Closed User Group

Syntax

Test Command

AT+CCUG=?

Response(s)

+CCUG: list of supported <n>, range of supported <index>, range of supported <info>

OK

ERROR

+CME ERROR

Read Command

AT+CCUG?

Response(s)

+CCUG: <n>, <index>, <info>

OK

ERROR

+CME ERROR

Write Command

AT+CCUG=[[<n>][, <index>][, <info>]]

Response(s)

OK

ERROR

+CME ERROR

PIN	ASC0	MUX1	MUX2	MUX3
●	●	●	●	●

Reference(s)

GSM 07.07, GSM 02.85, GSM 03.85,
GSM 04.85

Command Description

The Test command returns the supported parameters.

The Read command returns if the Explicit CUG invocation is activated (in parameter <n>), which CUG <index> is chosen, and if Preferential Group or Outgoing Access is suppressed (in parameter <info>).

The write command serves to activate or deactivate the explicit CUG invocation, to set the desired index, and to specify if Preferential Group or Outgoing Access shall be suppressed.

Parameter Description

`<n>`^(num)

explicit CUG invocation options

0 ^(D)	Deactivate explicit CUG invocation
1	Activate explicit CUG invocation

`<index>`^(num)

0-9	explicit selection of CUG index
10 ^(D)	No index (preferred CUG taken from subscriber data)

`<info>`^(num)

state of the call

0 ^(D)	no information
1	suppress outgoing access
2	suppress preferential CUG
3	Suppress preferential CUG and Outgoing Access.

Notes

- The active settings for omitted parameters are retained without changes.
- Explicit CUG invocation means that at each call setup, CUG information is added to the called number.
- Upon delivery, settings are predefined with
`<n>=0`,
`<index>=10`,
`<info>=0`.
These delivery defaults cannot be recalled automatically.
- When starting a call with `ATD`, Parameter 'G' or 'g' of command `ATD` will have no effect if the option selected for this single call is identical to the option already selected with `AT+CCUG`.
- Current settings are saved in the ME automatically.
- `ATZ` or `AT&F` do not influence the current settings.
- some combinations of parameters may lead to rejection of CUG calls by the network. For more information, please consult GSM 04.85

9.6 AT+CCFC Call forwarding number and conditions control

Syntax

Test Command

AT+CCFC=?

Response(s)

+CCFC: (list/range of supported <reason>s)
OK

Write Command

AT+CCFC=<reason>, <mode>[, <number>[, <type>[, <class>[, <time>]]]]

Response(s)

if <mode> is not equal 2 and command successful:
OK
if <mode>= 2, <reason> is not equal 2 and command successful:
+CCFC: <status>, <class>[, <number>, <type>]
OK
if <mode>= 2, <reason>= 2 and command successful:
+CCFC: <status>, <class>[, <number>, <type>, <time>]
OK
If error is related to ME functionality
+CME ERROR

PIN	ASC0	MUX1	MUX2	MUX3
●	●	●	●	●

Reference(s)

GSM 07.07, GSM 02.04, GSM 02.82,
GSM 03.82, GSM 04.82

Command Description

The Test command returns the supported parameters.

The write command controls the call forwarding supplementary service. Registration, erasure, activation, deactivation and status query are supported.

Parameter Description

<reason>^(num)

reason for call forwarding

0	unconditional
1	mobile busy
2	no reply

3	not reachable
4	all call forwarding (includes reasons 0, 1, 2 and 3)
5	all conditional call forwarding (includes reasons 1, 2 and 3)

<mode>^(num)

network operation to be performed for Supplementary service "call forwarding"

0	disable call forwarding (disable service)
1	enable call forwarding (enable service)
2	query status of call forwarding (query service status)
3	register <number> and activate call forwarding (register service)
4	erase <number> and deactivate call forwarding (erase service)

<number>^(str)

string type phone number of forwarding address in format specified by <type>. If you select <mode>= 3, the phone <number> will be registered in the network. This allows you to disable / enable CF to the same destination without the need to enter the phone number once again. Depending on the services offered by the provider the registration may be mandatory before CF can be used. The number remains registered in the network until you register another number or erase it using <mode> = 4.

<type>^(num)

type of address octect

145	dialling string <number> includes international access code character '+'
129	otherwise

<class>^(num)

integer or sum of integers each representing a class of information, i.e. a bearer service, telecommunication service or bearer service group as defined in "GSM 02.04"

1	voice
2	data <class> 2 (data) comprises all those <class> values between 16 and 128, that are supported both by the network and the MS. This means, a setting made for <class> 2 applies to all remaining data classes (if supported). In addition, you can assign a different setting to a specific class. For example, you can activate Call Forwarding for all data classes, but deactivate it for a specific data class.
4	fax
8	SMS
16	data circuit sync
32	data circuit async
64	dedicated packet access
128	dedicated PAD access
1...[7]...255	combination of some of the above classes. For example, the default setting 7 represents the sum of the integers 1, 2 and 4 (CF for voice, data and fax). The value 255 covers all classes. If the <class> parameter is omitted, the default value 7 is used.

<time>^(num)

5...[20]...30 time to wait before call is forwarded, rounded to a multiple of 5 sec. (only for <reason>=no reply)

<status>^(num)

0 Call Forwarding not active
1 Call Forwarding active

Notes

- You can register, disable, enable and erase <reason> 4 and 5 as described above. However, querying the status of <reason> 4 and 5 with AT+CCFC will result in an error ("CME error: Operation not supported"). As an alternative, you may use the ATD command followed by *# codes to check the status of these two reasons. See [List of Star-Hash \(*#\) Codes](#) for a complete list of *# GSM codes. See also examples below.
- Most networks will not permit registration of new parameters for conditional call forwarding (reasons 1,2,3,5) while unconditional call forwarding is enabled.
- The AT+CCFC command offers a broad range of call forwarding options according to the GSM specifications. However, when you attempt to set a call forwarding option which is not provisioned or not yet subscribed to, the setting will not take effect regardless of the response returned. The responses in these cases vary with the network (for example "OK", "Operation not allowed", "Operation not supported" etc.). To make sure check the call forwarding status with <mode>=2.
- Some networks may choose to have certain call forwarding conditions permanently enabled (e.g. forwarding to a mailbox if the mobile is not reachable). In this case, erasure or deactivation of call forwarding for these conditions will not be successful, even if the CCFC request is answered with response "OK".
- The command has been implemented with the full set of <class> parameters according to GSM 07.07. For actual applicability of SS "call forwarding" to a specific service or service group (a specific <class> value) please consult table A.1 of GSM 02.04.
- there is currently no release of GSM standard "GSM 02.04", in which the "Call Forwarding" Supplementary Service is defined as applicable to SMS services

Example

Please note that when you configure or query call forwarding without specifying any classes, the settings will refer to classes 1, 2 and 4 only (=default). The handling of classes is equivalent to [AT+CLCK](#).

- To register the destination number for unconditional call forwarding (CFU):

```
at+ccfc=0,3,"+493012345678",145
OK
```

The destination number will be registered for voice, data and fax services (default <class> 7). In most networks, the registration will also cause call forwarding to be activated for these <class> values.

- To query the status of CFU without specifying <class>:

```
at+ccfc=0,2
+CCFC: 1,1,"+493012345678",145
+CCFC: 1,2,"+493012345678",145
+CCFC: 1,4,"+493012345678",145
OK
```

- To deactivate CFU without specifying `<class>`:

```
at+ccfc=0,0
OK
```

To check whether CFU was successfully deactivated (note that the destination number remains registered in the network when you disable CFU):

```
at+ccfc=0,2
+CCFC: 0,1,"+493012345678",145
+CCFC: 0,2,"+493012345678",145
+CCFC: 0,4,"+493012345678",145
OK
```

- To erase the registered CFU destination number:

```
at+ccfc=0,4
OK
```

Now, when you check the status, no destination number will be indicated:

```
at+ccfc=0,2
+CCFC: 0,1
+CCFC: 0,2
+CCFC: 0,4
OK
```

- To query the status of CFU for all classes:

```
at+ccfc=0,2,,255
+CCFC: 0,1
+CCFC: 0,2
+CCFC: 0,4
+CCFC: 0,8
+CCFC: 0,16
+CCFC: 0,32
+CCFC: 0,64
+CCFC: 0,128
OK
```

- `<reason>` 4 or 5 cannot be used to query the status of all call forwarding reasons (see also notes above):

```
at+ccfc=4,2
+CME error: operation not supported
at+ccfc=5,2
+CME error: operation not supported
```

9.7 AT+CCWA Call Waiting

This command controls the "Call Waiting" supplementary service according to GSM 02.83. Activation, deactivation and status query are supported.

Syntax

Test Command

```
AT+CCWA=?
```

Response(s)

```
+CCWA : (list of supported <n>s)  
OK
```

Read Command

```
AT+CCWA?
```

Response(s)

```
+CCWA : <n>  
OK
```

Write Command

```
AT+CCWA=[[<n>][, <mode>][, <class>]]
```

Response(s)

```
if <mode> is not equal 2 and command successful:
```

```
OK
```

```
if <mode>= 2 and command successful:
```

```
+CCWA : <status>, <class>
```

```
[+CCWA : <status>, <class>]
```

```
[+CCWA : ...]
```

```
OK
```

```
If error is related to ME functionality
```

```
+CME ERROR
```

PIN	ASC0	MUX1	MUX2	MUX3
●	●	●	●	●

Reference(s)

```
GSM 07.07, GSM 02.04, GSM 02.83,  
GSM 03.83, GSM 04.83
```

Unsolicited Result Codes

URC 1

Indication of a call that is currently waiting and can be accepted.

+CCWA: <calling number>, <type of number>, <class>, , <CLI validity>

If <n>=1 and the call waiting supplementary service is enabled in the network, URC "+CCWA" indicates a waiting call to the TE. It appears while the waiting call is still ringing.

URC 2

Indication of a call that has been waiting.

^SCWA

If <n>=1 and the call waiting supplementary service is enabled in the network, this URC indicates that a waiting call rang when the ME was in online mode during a CSD call, but the calling party hung up before the ME went back to command mode.

Command Description

The test command returns the list of supported "<n>"s.

The read command returns the current value of parameter <n>.

The write command controls the call waiting supplementary service. Activation, deactivation and status query are supported.

Parameter Description

<n>^(num)

Switch URCS "+CCWA" and "^SCWA" for call waiting on/off

0	Disable display of URCS "+CCWA" and "^SCWA"
1	Enable display of URCS "+CCWA" and "^SCWA"

<mode>^(num)

Network operation to be performed for Supplementary service call waiting

0	Disable call waiting (disable service)
1	Enable call waiting (enable service)
2	Query status of call waiting (query service status)

<class>^(num)

Integer or sum of integers each representing a class of information, i.e. a bearer service, telecommunication service or bearer service group as defined in "GSM 02.04".

In the write command, parameter <class> specifies the class of the active call during which an incoming call of any class is to be regarded as a waiting call.

In URC "+CCWA: <calling number>, <type of number>, <class>, , <CLI validity>", parameter <class> specifies the class of the waiting call.

1	Voice
2	Data <class> 2 (data) comprises all those <class> values between 16 and 128, that are supported both by the network and the MS. This means, a setting made for <class> 2 applies to all remaining data classes (if supported). In addition, you can assign a different setting to a specific class. For example, you can activate call waiting for all data classes, but deactivate it for a specific data class.
4	Fax
[7]	Voice, data and fax (1+2+4)

8	SMS
16	Data circuit sync
32	Data circuit async
64	Dedicated packet access
128	Dedicated PAD access
1...[7]...255	Combination of some of the above classes. For example, the default setting 7 represents the sum of the integers 1, 2 and 4 (CF for voice, data and fax). The value 255 covers all classes. If parameter "class" is omitted, the default value 7 is used.

<status>^(num)

0	Call waiting service is not active
1	Call waiting service is active

<calling number>^(str)

Phone number of waiting caller in the format specified by parameter <type of number>.

<type of number>^(num)

Type of address octet in integer format (refer to GSM 04.08, subclause 10.5.4.7)

145	<calling number> includes international access code character '+'
129	Otherwise

<CLI validity>^(num)

0	CLI valid
1	CLI has been withheld
2	CLI is not available

Notes

- If the active call is a CSD call, and a waiting call is received, then the ME produces a BREAK while still in online mode, and displays
 - the +CCWA URC (as above) when the ME goes back to command mode while the waiting call is still active and can be accepted;
 - or the ^SCWA URC (as above) when the ME goes back to command mode after the waiting call has ended.
- With the AT+CHLD command, it is possible to establish a multiparty call or to set the active voice call on hold and then accept a waiting voice call (not possible with fax and data call). See also [AT+CHLD](#)
- Users should be aware that if call waiting is activated (<mode>=1), the presentation of URCs needs to be enabled, too (<n>=1).
Otherwise, on the one hand, a waiting caller would be kept waiting due to lack of BUSY signals, while, on the other hand, the waiting call would not be indicated to the called party.
- The AT+CCWA command offers a broad range of options according to the GSM specifications. However, when you attempt to enable call waiting for a <class> for which the service is not provisioned or not supported, the setting will not take effect regardless of the response returned. The responses in these cases vary with the network (for example "OK", "Operation not allowed", "Operation not supported" etc.). To make sure

check the current call waiting settings with `<mode>=2`.

- The AT+CCWA command has been implemented with the full set of `<class>` parameters according to GSM 07.07. For actual applicability of SS call waiting to a specific service or service group (a specific `<class>` value) please consult table A.1 of GSM 02.04
- Despite the specifications stated in GSM 02.04 call waiting is not handled uniformly among all networks: GSM 02.04, Annex A, provides the following specification:
"The applicability of call waiting refers to the telecommunication service of the active call and not of the waiting call. The incoming, waiting, call may be of any kind." Nevertheless, networks do differ on the actual implementation of the service. For example, the activation of call waiting for `<class>` 4, "fax", causes some networks to send a call waiting indication if a call "of any kind" comes in during an active fax call, but others may (with the same settings active) indicate a waiting fax call during any kind of active call. Thus, the only reliable way to receive or prevent a call waiting indication under any circumstances and in any network, is to activate or deactivate call waiting for all tele- and bearer services (`<class>` 255).

Examples

EXAMPLE 1

Parameter `<n>`

<code>at+ccwa=1</code>	To enable the presentation of the URC
<code>OK</code>	

EXAMPLE 2

Parameter `<mode>`

<code>at+ccwa=,1</code>	To activate the supplementary service in the network for voice, data, and fax calls (default classes). Note that Parameter <code><n></code> is left out. In this case, the current value of <code><n></code> will be retained.
<code>OK</code>	
<code>at+ccwa=,2</code>	To query the network status of call waiting for default classes
<code>at+ccwa=1,1</code>	Call Waiting is activated during voice calls.
<code>at+ccwa=1,2</code>	Call Waiting is activated during data calls.
<code>at+ccwa=1,4</code>	Call Waiting is activated during fax calls.
<code>OK</code>	

EXAMPLE 3

Parameter `<class>`

<code>AT+CCWA=,0,1</code>	To deactivate call waiting for voice calls.
<code>OK</code>	

9.8 AT+CHLD Call Hold and Multiparty

Syntax

Test Command

AT+CHLD=?

Response(s)

+CHLD: (list of supported <n>s)
OK

Write Command

AT+CHLD=[<n>]

Response(s)

OK
ERROR
+CME ERROR: <err>

PIN ASC0 MUX1 MUX2 MUX3

● ● ● ● ●

Reference(s)

GSM 07.07

Command Description

TA controls the Supplementary Services Call Hold and Multiparty. Calls can be put on hold, recovered, released, and added to a conversation.

Like for all Supplementary Services, the availability and detailed functionality of Call Hold and Multiparty services depends on the configuration of the GSM network. The MC35i can only request the service, but the network decides whether and how the request will be answered.

Parameter Description

<n>^(num)

- | | |
|---|--|
| 0 | Release all held calls or set User Determined User Busy (UDUB) for a waiting call: <ul style="list-style-type: none">• If a call is waiting, release the waiting call. The calling party will receive a "BUSY" indication (Supplementary Service User Determined User Busy "UDUB")• Otherwise, terminate all held calls (if any). |
| 1 | Terminate all active calls (if any) and accept "the other call" as the active call: <ul style="list-style-type: none">• If a call is waiting, the waiting call will be accepted.• Otherwise, if a held call is present, the held call becomes active. |

1X	Terminate a specific call X (X= 1-7). The call may be active, held or waiting. The remote party of the terminated call will receive a "NO CARRIER" indication. Parameter X is the call number <idx> of the targeted call in the list of current calls available with AT command AT+CLCC .
2	Place all active calls on hold (if any) and accept "the other call" as the active call: <ul style="list-style-type: none">• If a call is waiting, the waiting call will be accepted.• Otherwise, if a held call is present, the held call becomes active.
2X	Place all active calls except call X (X= 1-7) on hold. Parameter X is the call number <idx> of the targeted call in the list of current calls available with AT command AT+CLCC .
3	Add a held call to the active calls in order to set up a conference (multiparty) call.

Notes

- The [AT+CHLD](#) command offers a broad range of options according to the GSM specifications. However, if you attempt to invoke an option which is not provisioned by the network, or not subscribed to, invocation of this option will fail. The responses in these cases may vary with the network (for example "Operation not allowed", "Operation not supported" etc.).
- This Supplementary Service is only applicable to Teleservice 11 (Speech telephony), that is, voice calls can be put on hold, while data or fax calls cannot. For example, with [AT+CHLD=2](#) you can simultaneously place a voice call on hold and accept another waiting voice call. But it is possible to place a voice call on hold in order to accept a waiting data or fax call, and afterwards recover the voice call. In this case, the only difference over speech telephony is that the data or fax call needs to be manually accepted via [ATA](#) (see example below).
- In conflict situations, e.g. when a waiting call comes while there are already held calls, the above procedures apply to the waiting call only. For example, <n>=0 rejects the waiting call, but does not affect the held calls.
- See also the [AT+CCWA](#) command for details on how to display waiting calls.

Example

<pre>^SYSSTART at+cpin="9999" OK +CREG: 2 +CREG: 1,"0145","0016" at+ccwa=1,1,1 OK atd"1234567"; OK +CCWA: "+491791292364",145,32,,0 at+chld=2 RING</pre>	<p>The mobile is now registered.</p> <p>You activate the indication of waiting calls during voice calls.</p> <p>You make a voice call.</p> <p>You receive a URC indicating a waiting data call.</p> <p>You put the voice call on hold.</p> <p>You now receive the RING of the data call.</p>
--	--

OK

RING

RING

ATA

You accept the data call.

CONNECT 9600/RLP

hello

OK

+++

With "+++" you go in command mode.

at+clcc

You interrogate the status of all established calls.

+CLCC: 1,0,1,0,0,"03038639268",129

+CLCC: 2,1,0,1,0,"+491791292364",145

OK

at+chld=1

The active data call is terminated and the held voice call becomes active.

OK

at+clcc

+CLCC: 1,0,0,0,0,"03038639268",129

OK

9.9 AT+CLIP Calling line identification presentation

This command refers to the GSM supplementary service CLIP (Calling Line Identification Presentation) that enables a called subscriber to get the calling line identity (CLI) of the calling party when receiving a mobile terminated call.

Syntax

Test Command

```
AT+CLIP=?
```

Response(s)

```
+CLIP: (list of supported<n>s)  
OK
```

Read Command

```
AT+CLIP?
```

Response(s)

```
+CLIP: <n>, <m>  
OK  
ERROR  
+CME ERROR: <err>
```

Write Command

```
AT+CLIP=<n>
```

Response(s)

```
OK  
ERROR  
+CME ERROR: <err>
```

PIN	ASC0	MUX1	MUX2	MUX3
<input type="radio"/>	<input type="radio"/>	<input type="radio"/>	<input type="radio"/>	<input type="radio"/>

Reference(s)

GSM 07.07, GSM 02.81

Unsolicited Result Codes

URC 1

Voice call response format:

```
+CLIP: <number>, <type>, , , , <CLI validity>
```

URC 2

Data/FAX call response format:

+CLIP: [<number>](#), [<type>](#)

When CLIP is enabled at the TE (and is permitted by the calling subscriber), an unsolicited result code is returned after every RING (or +CRING: [<type>](#)) at a mobile terminating call.

Command Description

Test command returns values supported by the TA as a compound value.

Read command gives the status of [<n>](#), and also triggers an interrogation of the provision status of the CLIP service according GSM 02.81 (given in [<m>](#)).

If no SIM card is available or SIM-Pin isn't entered, the command response is "ERROR".

Write command enables or disables the presentation of the CLI at the TE. It has no effect on the execution of the supplementary service CLIP in the network.

Parameter Description

[<n>](#)^{(num)(&W)(&V)}

[0] ^(&F)	suppress unsolicited result codes
1	display unsolicited result codes

[<m>](#)^{(num)(&V)}

0	CLIP not provisioned
1	CLIP provisioned
2	unknown

[<number>](#)^(str)

string type phone number of calling address in format specified by [<type>](#)

[<type>](#)^(num)

type of address octet in integer format; 145 when dialling string includes in-ternational access code character "+", otherwise 129.

[<CLI validity>](#)^(num)

0	CLI valid
1	CLI has been withheld by the originator.
2	CLI is not available due to interworking problems or limitations of originating network. <number> shall be an empty string ("") and <type> value will not be significant.

When CLI is not available ([<CLI validity>](#)=2), [<number>](#) shall be an empty string ("") and [<type>](#) value will not be significant. Nevertheless, TA shall return the recommended value 128 for [<type>](#) (TON/NPI unknown in accordance with GSM 04.08 subclause 10.5.4.7).

When CLI has been withheld by the originator, ([<CLI validity>](#)=1) and the CLIP is provisioned with the "override category" option (refer GSM 02.81 and GSM 03.81), [<number>](#) and [<type>](#) is provided. Otherwise, TA shall return the same setting for [<number>](#) and [<type>](#) as if the CLI was not available.

9.10 AT+CLIR Calling line identification restriction

Syntax

Test Command

AT+CLIR=?

Response(s)

+CLIR: (list of supported <n>s)
OK

Read Command

AT+CLIR?

Response(s)

+CLIR<n>, <m>
OK
ERROR
+CME ERROR: <err>

Write Command

AT+CLIR=[<n>]

Response(s)

OK
ERROR
+CME ERROR: <err>

PIN	ASC0	MUX1	MUX2	MUX3
●	●	●	●	●

Reference(s)

GSM 07.07

Command Description

This command refers to the GSM supplementary service CLIR (Calling Line Identification Restriction).

Parameter Description

<n>^(num)

Parameter shows the settings for outgoing calls:

[0] ^(P)	Presentation indicator is used according to the subscription of the CLIR service
1	CLIR invocation
2	CLIR suppression

<n> (num)

Parameter shows the subscriber CLIR service status in the network:

0	CLIR not provisioned
1	CLIR provisioned in permanent mode
2	Unknown (e.g. no network, etc.)
3	CLIR temporary mode presentation restricted
4	CLIR temporary mode presentation allowed

Note

- These settings made with [AT+CLIR=1](#) or [AT+CLIR=2](#) are used for all outgoing calls until the ME is switched off or [AT+CLIR=0](#) is used.

9.11 AT+CPUC Price per unit and currency table

Syntax

Test Command

```
AT+CPUC=?
```

Response(s)

```
OK
```

Read Command

```
AT+CPUC?
```

Response(s)

```
+CPUC: <currency>, <ppu>
```

```
OK
```

```
ERROR
```

```
+CME ERROR: <err>
```

Write Command

```
AT+CPUC=<currency>, <ppu>[, <passwd>]
```

Response(s)

```
OK
```

```
ERROR
```

```
+CME ERROR: <err>
```

PIN	ASC0	MUX1	MUX2	MUX3
●	●	●	●	●

Reference(s)

```
GSM 07.07
```

Command Description

Read command returns the current parameters of PUC.

Write command sets the parameters of Advice of Charge related price per unit and currency table. SIM PIN2 is usually required to set the parameters.

Parameter Description

<currency>^{(str)(+CSCS)}

Three-character currency code (e.g. "GBP", "EUR"). If the currency name is longer than three characters, all characters will be cut off after the third position. Before they are written to the SIM Card, these characters are converted to the standard GSM alphabet.

<ppu>^(str)

Price per unit; dot is used as a decimal separator (e.g. "2.66"). The length is limited to 20 characters. If the string length is exceeded, the command is terminated with an error. This string may only contain digits and a dot. Leading zeros are removed from the string. The minimum and maximum value are determined by the structure of the SIM-PUCT file. The maximum price per unit value is 999 999 999.00. When successfully entered, this value is rounded to maximum accuracy.

Note: Due to storage in mantisse (range 0-4095) and exponent (-7 to 7) it is possible that rounding errors occur.

<passwd>^(str)

SIM PIN2. String parameter which can contain any combination of characters. The maximum string length is limited to 8 characters. If this value is exceeded, the command terminates with an error message. If the PIN2 is incorrect, a CME error (+CME ERROR: incorrect password) is output.

Example

To change currency and/or price per unit you have two ways:

You can enter PIN2 along with the [AT+CPUC](#) command:

```
AT+CPUC="EUR", "0.10", "8888" (where "8888" = PIN2)
OK
```

Alternatively, you can first use the [AT+CPIN2](#) command to enter PIN2. When you execute the [AT+CPUC](#) command, subsequently, take into account that PIN2 authentication expires after 300ms (see notes in [AT+CPIN2](#)).

```
AT+CPUC="EUR", "0.10"
OK Successful
AT+CPUC="EUR", "0.10"
+CME ERROR: SIM PIN2 required Attempt not successful. PIN2 authentication has expired.
```


9.12 AT+CSSN Supplementary service notifications

Syntax

Test Command

AT+CSSN=?

Response(s)

+CSSN: (list of supported<n>s), (list of supported<m>s)
OK

Read Command

AT+CSSN?

Response(s)

+CSSN: <n>, <m>
OK

Write Command

AT+CSSN=<n>[, <m>]

Response(s)

OK
ERROR
+CME ERROR

PIN	ASC0	MUX1	MUX2	MUX3
<input type="radio"/>	<input checked="" type="radio"/>	<input checked="" type="radio"/>	<input checked="" type="radio"/>	<input checked="" type="radio"/>

Reference(s)

GSM 07.07

Unsolicited Result Codes

URC 1

+CSSI: <code 1>

When <n>=1 and a supplementary service notification is received after a mobile originated call setup, intermediate result code "+CSSI: <code 1>" is sent to TE before any other MO call setup result codes

URC 2

+CSSU: <code 2>

When <m>=1 and a supplementary service notification is received during a mobile terminated call setup or during a call, unsolicited result code "+CSSU: <code 2>" is sent to TE.

Command Description

The write command enables or disables the presentation of URCs for supplementary services.

Parameter Description

<n> ^(num)	
0(&F)	Suppress "+CSSI" URCs
1	Activate "+CSSI" URCs

<m> ^(num)	
0(&F)	Suppress "+CSSU" URCs
1	Activate "+CSSU" URCs

<code 1> ^(num)	
3	Waiting call is pending

<code 2> ^(num)	
0	The incoming call is a forwarded call.
5	Held call was terminated

Note

- The URCs will be displayed only if the call concerned is a voice call.

9.13 AT+CUSD Supplementary service notifications

This command allows control of the Unstructured Supplementary Service Data (USSD) according to GSM 02.90. Both network and mobile initiated operations are supported.

Syntax

Test Command

```
AT+CUSD=?
```

Response(s)

```
+CUSD: (list of supported<n>s)  
OK
```

Read Command

```
AT+CUSD?
```

Response(s)

```
+CUSD: <n>  
OK
```

Write Command

```
AT+CUSD=<n>[, <str>[, <dcs>]]
```

Response(s)

```
OK  
+CME ERROR
```

PIN	ASC0	MUX1	MUX2	MUX3
●	●	●	●	●

Reference(s)

```
GSM 07.07, GSM 02.90, GSM 03.90,  
GSM 04.90
```

Unsolicited Result Code

```
+CUSD: <m>[<str>[<dcs>]]
```

URC "+CUSD" indicates an USSD response from the network, or network initiated operation

Command Description

The read command returns the current <n> value

Write command parameter <n> is used to disable/enable the presentation of an unsolicited result code (USSD response from the network, or network initiated operation) "+CUSD: <m>[<str>[<dcs>]]" to the TE.

When <str> is given, a mobile initiated USSD string or a response USSD string to a network initiated operation

is sent to the network. The response USSD string from the network is returned in a subsequent unsolicited result code "+CUSD"

The interaction of this command with other commands based on other GSM supplementary services is described in the GSM standard.

Parameter Description

<n>^(num)

0(&F)	Disable the result code presentation in the TA
1	Enable the result code presentation in the TA
2	Cancel session (not applicable to read command response)

<str>^(str)

String type USSD-string (when <str> parameter is not given, network is not interrogated).

If <dc> indicates that GSM 03.38 default alphabet is used TA converts GSM alphabet into current TE character set according to rules of GSM 07.05 Annex A.

<dc>^(num)

GSM 03.38 Cell Broadcast Data Coding Scheme in integer format (default 15)

<m>^(num)

0	No further user action required (network initiated USSD-Notify, or no further information needed after mobile initiated operation)
1	Further user action required (network initiated USSD-Request, or further information needed after mobile initiated operation). If <m>=1, then the URC ends with ">" to prompt the user for input. The user action is finished with <CTRL-Z> or aborted with <ESC>.
2	USSD terminated by network.

Notes

- For the write command, only <dc>= 15 is supported.
- When a USSD string is sent via ATD, a "AT+CUSD=1" is executed implicitly.

10. GPRS Commands

This chapter describes AT Commands that a TE (Terminal Equipment, e.g. an application running on a controlling PC) may use to control the MC35i acting as GPRS Mobile Termination (MT). Please use chapter "[Using GPRS AT commands \(Examples\)](#)" as a first guidance.

10.1 AT+CGACT PDP context activate or deactivate

Syntax

Test Command

```
AT+CGACT=?
```

Response(s)

```
+CGACT: (list of supported <state>s)  
OK
```

Read Command

```
AT+CGACT?
```

Response(s)

```
+CGACT: <cid>, <state>  
[+CGACT: <cid>, <state>]  
...  
OK
```

Write Command

```
AT+CGACT=[<state>[, <cid>[, <cid>[,... ]]]]
```

Response(s)

```
OK  
ERROR  
+CME ERROR
```

PIN	ASC0	MUX1	MUX2	MUX3
●	●	●	●	●

Reference(s)

GSM 07.07

Command Description

The test command is used for requesting information on the supported PDP context activation states.

The read command returns the current activation states for all the defined PDP contexts.

The write command is used to activate or deactivate the specified PDP context(s). After the command has completed, the MT remains in V.25ter command state. If any PDP context is already in the requested state, the state for that context remains unchanged. If the MT is not GPRS attached when the activation form of the command is executed, the MT first performs a GPRS attach and then attempts to activate the specified contexts. If no `<cid>`s are specified the activation/deactivation form of the command activates/deactivates all defined contexts. If the MT is not able to activate a context because of a failed attach, command returns with "ERROR" or with "+CME ERROR: unknown" after 385 seconds (timer T3310 expired). If the MT is attached but is not able to activate a context for more than 160 seconds (timer T3380 expired), command returns with "ERROR" or with "+CME ERROR: unspecified GPRS error. In this case AT+CEER returns "+CEER: 51,3,0".

Parameter Description

`<state>`^(num)

Indicates the state of PDP context activation.

0	detached
[1]	attached

`<cid>`^(num)

PDP Context Identifier is a numeric parameter which specifies a particular PDP context definition. The parameter is local to the TE-MT interface and is used in other PDP context-related commands.

1...2

Notes

- `ATH` will deactivate any PDP context.
- If the MT is in dedicated mode, write command returns with "+CME ERROR: operation temporary not allowed".
- A maximum of 2 contexts can be activated at the same time, no matter on which interface. Trying to activate more than 2 contexts will cause "+CME ERROR: operation temporary not allowed". Note that, depending on the provider, the number of activated contexts may be further restricted. In such cases "+CME ERROR: unspecified GPRS error" will be returned and `AT+CEER` returns "+CEER: 50,26,0". Remember that contexts may be activated implicitly by using the `ATD*98#` or `ATD*99#` GPRS compatibility commands without specifying a `<cid>`.
- If an activated context will be deactivated without using the command `AT+CGACT`, then the result code "NO CARRIER" will be issued to indicate the context deactivation. This happens for example if the context deactivation is forced by the network or if deactivation results from a network deregistration with `AT+COPS=2`.

10.2 AT+CGATT GPRS attach or detach

Syntax

Test Command

```
AT+CGATT=?
```

Response(s)

```
+CGATT: (list of supported <state>s)  
OK
```

Read Command

```
AT+CGATT?
```

Response(s)

```
+CGATT: <state>  
OK
```

Write Command

```
AT+CGATT=[<state>]
```

Response(s)

```
OK  
ERROR  
+CME ERROR
```

PIN	ASC0	MUX1	MUX2	MUX3
●	●	●	●	●

Reference(s)

GSM 07.07

Command Description

The test command is used for requesting information on the supported GPRS service states.

The read command returns the current GPRS service state.

The write command is used to attach the MT to, or detach the MT from the GPRS service. After the command has completed, the MT remains in V.25ter command state. If the MT is already in the requested state, the command is ignored and the OK response is returned. Any active PDP contexts will be automatically deactivated when the attachment state changes to detached.

If the MT is not able to attach for more than 5 minutes, command returns with "ERROR" or "+CME ERROR: unknown", but MT is still trying to attach.

If the MT is not able to detach for more than 1 minute, command returns with "ERROR" or "+CME ERROR: unknown", but MT is still trying to detach. If an attach is issued during a running detach, command returns with "ERROR" or "+CME ERROR: unspecified GPRS error".

Parameter Description

`<state>`^(num)

Indicates the state of GPRS attachment.

0 ^(P)	detached
[1]	attached

Notes

- If the MT is in dedicated mode, write command returns with "+CME ERROR: operation temporary not allowed".
- When the module is GPRS attached and a PLMN reselection occurs to a non-GPRS capable network or to a network where the SIM is not subscribed to for using GPRS, the resulting GMM (GPRS mobility management) state according to GSM 24.008 is REGISTERED/NO CELL, meaning that the read command will still show `<state>=1`.

10.3 AT+CGDATA Enter data state

Syntax

Test Command

```
AT+CGDATA=?
```

Response(s)

```
+CGDATA: (list of supported <L2P>s)  
OK
```

Write Command

```
AT+CGDATA=[<L2P>[, <cid>[, <cid>[... ]]]]
```

Response(s)

```
CONNECT  
NO CARRIER  
ERROR  
+CME ERROR
```

PIN	ASC0	MUX1	MUX2	MUX3
●	●	●	●	●

Reference(s)

GSM 07.07

Command Description

The test command is used for requesting information on the supported layer 2 protocols to be used between the TE and MT.

The write command causes the MT to perform all actions which are necessary to establish communication between the TE and the network using one or more GPRS PDP types. This may include performing a GPRS attach and one or more PDP context activations. Commands following the [AT+CGDATA](#) command in the AT command line will not be processed by the MT.

If no [<cid>](#) is given or if there is no matching context definition, the MT will attempt to activate the context with PDP type IP and all other context parameters set to their default values (see [AT+CGDCONT](#), [AT+CGQREQ](#), [AT+CGQMIN](#)).

If the [<L2P>](#) parameter is omitted, the layer 2 protocol is unspecified and PPP will be used.

If the write command is successful, the MT issues the intermediate result code CONNECT and enters V.25ter online data state.

After data transfer is complete, and the layer 2 protocol termination procedure has completed successfully, the command state is reentered and the MT returns the final result code OK.

If the [<L2P>](#) parameter value is unacceptable to the MT, the MT returns ERROR or +CME ERROR.

In the event of erroneous termination or a failure to start up, the command state is reentered and the MT returns NO CARRIER, or if enabled +CME ERROR.

Parameter Description

<L2P>^(str)

Layer 2 protocol to be used between the TE and MT.

["PPP"] layer 2 protocol PPP

"1" layer 2 protocol PPP

<cid>^(num)

Parameter specifies a particular PDP context definition. The parameter is local to the TE-MT interface and is used in other PDP context-related commands.

1...2

Notes

- If the MT is in dedicated mode, write command returns with "+CME ERROR: operation temporary not allowed".
- It is possible to leave the GPRS data mode and enter the command mode by using the V.25ter command [+++](#). By using the command [AT+CGDATA](#) again, the data mode is reentered. Which context is used to return to data mode, depends on the supplied parameter [<cid>](#).
If no [<cid>](#) is specified, this is equivalent to using the V.25ter command [ATO](#), which is usable for GPRS connections too. In this case the first context is used, which is active and which was already in data mode since it was activated (the internal context, which is used for GPRS connection without explicitly specifying a context identifier, has the highest priority).
It is possible, to use [AT+CGDATA](#) to enter the data mode for a context, which was not in data mode since it was activated. With [ATO](#) this is not possible.

10.4 AT+CGDCONT Define PDP Context

Syntax

Test Command

```
AT+CGDCONT=?
```

Response(s)

```
+CGDCONT: (range of supported<cid>s), <PDP_type>, , (list of supported <d_comp>s), (list of supported <h_comp>s)  
OK  
ERROR  
+CME ERROR
```

Read Command

```
AT+CGDCONT?
```

Response(s)

```
+CGDCONT: <cid>, <PDP_type>, <APN>, <PDP_addr>, <d_comp>, <h_comp>  
...  
OK  
ERROR  
+CME ERROR
```

Write Command

```
AT+CGDCONT=[<cid>[, <PDP_type>[, <APN>[, <PDP_addr>]]]]
```

Response(s)

```
OK  
ERROR  
+CME ERROR
```

PIN	ASC0	MUX1	MUX2	MUX3
●	●	●	●	●

Reference(s)

GSM 07.07

Command Description

The test command returns supported values as a compound value.

The read command returns the current settings for each defined PDP context.

The write command specifies the parameters for a PDP context identified by the context identifier <cid>. The number of contexts that may be in a defined state at the same time is given by the range returned by the test command. A special form of the write command (AT+CGDCONT=<cid>) causes the values for context <cid> to become undefined.

Parameter Description

<cid>^(num)

PDP Context Identifier

Parameter specifies a particular PDP context definition. The parameter is local to the TE-MT interface and is used in other PDP context-related commands.

1...2

<PDP_type>^(str)

Packet Data Protocol type

Specifies the type of the packet data protocol.

"IP"	Internet Protocol (IETF STD 5)
------	--------------------------------

<APN>^(str)

Access Point Name

The logical name that is used to select the GGSN or the external packet data network. If the value is null or omitted, then the subscription value will be requested.

<PDP_addr>^(str)

Packet Data Protocol address

Identifies the MT in the address space applicable to PDP (e.g. IP V4 address for PDP type IP). If the value is null or omitted, then a value may be provided by the TE during the PDP startup procedure or, failing that, a dynamic address will be requested. The read command will continue to return the null string even if an address has been allocated during the PDP startup procedure. The allocated address may be read using [AT+CGPADDR](#).

<d_comp>^(num)

Data Compression

Controls the PDP data compression (applicable for Subnetwork Dependent Convergence Protocol (SNDTCP) only) 3GPP TS 44.065

[0]	off
-----	-----

<h_comp>^(num)

Header Compression

Controls the PDP header compression 3GPP TS 44.065, 3GPP TS 25.323

[0]	off
-----	-----

Notes

- The MT supports PDP type IP only.
- [AT&F](#) and [ATZ](#) will undefine every context which is not active or not online.

10.5 AT+CGPADDR Show PDP address

Syntax

Test Command

```
AT+CGPADDR=?
```

Response(s)

```
+CGPADDR: (list of supported <cid>s)  
OK
```

Write Command

```
AT+CGPADDR=[<cid>[<cid>[... ]]]
```

Response(s)

```
+CGPADDR: <cid>, <PDP_address>  
+CGPADDR: ...  
OK  
ERROR  
+CME ERROR
```

PIN	ASC0	MUX1	MUX2	MUX3
●	●	●	●	●

Reference(s)

GSM 07.07

Command Description

The test command returns a list of defined <cid>s.

The write command returns a list of PDP addresses for the specified context identifiers.

Parameter Description

<cid>^(num)

a numeric parameter which specifies a particular PDP context definition (see [AT+CGDCONT](#) command).

<PDP_address>^(str)

a string that identifies the MT in the address space applicable to the PDP. The address may be static or dynamic.

Note

- If no <cid> is specified, the write command will return a list of all defined contexts.

10.6 AT+CGQMIN Quality of Service Profile (Minimum acceptable)

Syntax

Test Command

```
AT+CGQMIN=?
```

Response(s)

```
+CGQMIN: <PDP_type>, (list of supported <precedence>s), (list of supported <delay>s), (list of supported <reliability>s), (list of supported <peak>s), (list of supported <mean>s)  
OK  
ERROR  
+CME ERROR
```

Read Command

```
AT+CGQMIN?
```

Response(s)

```
+CGQMIN: <cid>, <precedence>, <delay>, <reliability>, <peak>, <mean>  
...  
OK  
ERROR  
+CME ERROR
```

Write Command

```
AT+CGQMIN=[<cid>[, <precedence>[, <delay>[, <reliability>[, <peak>[, <mean>]]]]]
```

Response(s)

```
OK  
ERROR  
+CME ERROR
```

PIN	ASC0	MUX1	MUX2	MUX3
●	●	●	●	●

Reference(s)

GSM 07.07

Command Description

The test command returns values supported as a compound value. If the MT supports several PDP types, the parameter value ranges for each PDP type are returned on a separate line.

The read command returns the current settings for each defined context. If no minimum profile was explicitly specified for a context, simply OK will be returned, but default values will be used for that context.

This command allows the TE to specify a minimum acceptable profile which is checked by the MT against the negotiated profile returned in the Activate PDP Context Accept message.

The set command specifies a profile for the context identified by the (local) context identification parameter,

<cid>.

A special form of the set command, AT+CGQMIN= <cid> causes the minimum acceptable profile for context number <cid> to become undefined. In this case no check is made against the negotiated profile.

AT&F and ATZ will undefine the minimum QoS profiles of every context which is not active or not online.

Parameter Description

<cid>^(num)

Parameter specifies a particular PDP context definition. The parameter is local to the TE-MT interface and is used in other PDP context-related commands.

1...2

<precedence>^(num)

Precedence class

[0]	network subscribed value
1	High Priority Service commitments shall be maintained ahead of precedence classes 2 and 3
2	Normal priority Service commitments shall be maintained ahead of precedence class 3
3	Low priority Service commitments shall be maintained

<delay>^(num)

Delay class

The delay parameter defines the end-to-end transfer delay incurred in the transmission of SDUs through the GPRS network(s).

[0]	network subscribed value
1..4	SDU size: 128 octets:

Delay Class	Mean Transfer Delay	95 percentile
1 (Predictive)	<0.5	<1.5
2 (Predictive)	<5	<25
3 (Predictive)	<50	<250
4 (Best Effort)	Unspecified	

SDU size: 1024 octets:

Delay Class	Mean Transfer Delay	95 percentile
1 (Predictive)	<0.5	<1.5
2 (Predictive)	<5	<25
3 (Predictive)	<50	<250
4 (Best Effort)	Unspecified	

<reliability>^(num)

Reliability class

[0]	network subscribed value
1	Non real-time traffic, error-sensitive application that cannot cope with data loss
2	Non real-time traffic, error-sensitive application that can cope with infrequent data loss
3	Non real-time traffic, error-sensitive application that can cope with data loss, GMM/SM, and SMS
4	Real-time traffic, error-sensitive application that can cope with data loss
5	Real-time traffic, error non-sensitive application that can cope with data loss

<peak>^(num)

Peak throughput class (in octets per second).

[0]	network subscribed value
1	Up to 1 000 (8 kbit/s).
2	Up to 2 000 (16 kbit/s).
3	Up to 4 000 (32 kbit/s).
4	Up to 8 000 (64 kbit/s).
5	Up to 16 000 (128 kbit/s).
6	Up to 32 000 (256 kbit/s).
7	Up to 64 000 (512 kbit/s).
8	Up to 128 000 (1024 kbit/s).
9	Up to 256 000 (2048 kbit/s).

<mean>^(num)

Mean throughput class(in octets per hour).

[0]	network subscribed value
1	100 (~0.22 bit/s)
2	200 (~0.44 bit/s)
3	500 (~1.11 bit/s)
4	1 000 (~2.2 bit/s)
5	2 000 (~4.4 bit/s)
6	5 000 (~11.1 bit/s)
7	10 000 (~22 bit/s)
8	20 000 (~44 bit/s)
9	50 000 (~111 bit/s)
10	100 000 (~0.22 kbit/s)
11	200 000(~0.44 kbit/s)
12	500 000(~1.11 kbit/s)

13	1 000 000 (~2.2 kbit/s)
14	2 000 000 (~4.4 kbit/s)
15	5 000 000 (~11.1 kbit/s)
16	10 000 000 (~22 kbit/s)
17	20 000 000 (~44 kbit/s)
18	50 000 000 (~111 kbit/s)
31	best effort

<PDP_type>^(str)

Packet Data Protocol Type

“IP“

Notes

- If parameters are not defined, the parameter default values depend on the HLR-stored subscribed default values.
- Definitions of parameters in GSM 02.60 and GSM 03.60 paragraph 15.2 "Quality of Service Profile".

Example

If some of the QoS parameters are omitted, they will keep their current value (or the default value if not specified so far), e.g.:

```
AT+CGDCONT=1,'ip'  
OK  
AT+CGQMIN=  
OK  
AT+CGQMIN?  
OK  
AT+CGQMIN=1,0  
OK  
AT+CGQMIN?  
+CGQMIN:1,0,0,0,0,0  
OK  
AT+CGQMIN=1,0,0,0,1  
OK  
AT+CGQMIN?  
+CGQMIN:1,0,0,0,1,0  
OK  
AT+CGQMIN=1,1  
OK  
AT+CGQMIN?  
+CGQMIN:1,1,0,0,1,0  
OK
```

10.7 AT+CGQREQ Quality of Service Profile (Requested)

Syntax

Test Command

AT+CGQREQ=?

Response(s)

+CGQREQ: <PDP_type>, (list of supported <precedence>s), (list of supported <delay>s), (list of supported <reliability>s), (list of supported <peak>s), (list of supported <mean>s)
OK

Read Command

AT+CGQREQ?

Response(s)

+CGQREQ: <cid>, <precedence>, <delay>, <reliability>, <peak>, <mean>
[+CGQREQ: <cid>, <precedence>, <delay>, <reliability>, <peak>, <mean>]
...

Write Command

AT+CGQREQ=[<cid>[, <precedence>[, <delay>[, <reliability>[, <peak>[, <mean>]]]]]]

Response(s)

OK
ERROR
+CME ERROR

PIN ASC0 MUX1 MUX2 MUX3



Reference(s)

GSM 07.07

Command Description

The test command returns values supported as a compound value. If the MT supports several PDP types, the parameter value ranges for each PDP type are returned on a separate line.

The read command returns the current settings for each defined context. If no requested profile was explicitly specified for a context, simply OK will be returned, but default values will be used for that context.

This command allows the TE to specify a Quality of Service Profile that is used when the MT sends an Activate PDP Context Request message to the network.

The set command specifies a profile for the context identified by the (local) context identification parameter, <cid>.

A special form of the set command, +CGQREQ=<cid> causes the requested profile for context number <cid> to become undefined.

AT&F and ATZ will undefine the QoS profiles of every context which is not active or not online.

Parameter Description

<cid>^(num)

Parameter specifies a particular PDP context definition. The parameter is local to the TE-MT interface and is used in other PDP context-related commands.

1...2

<precedence>^(num)

Precedence class

- [0] network subscribed value
- 1 High Priority
Service commitments shall be maintained ahead of precedence classes 2 and 3
- 2 Normal priority
Service commitments shall be maintained ahead of precedence class 3
- 3 Low priority
Service commitments shall be maintained

<delay>^(num)

Delay class

This parameter defines the end-to-end transfer delay incurred in the transmission of SDUs through the GPRS network(s).

- [0] network subscribed value
- 1..4 with SDU size = 128 octets:

Delay Class	Mean Transfer Delay	95 percentile
1 (Predictive)	<0.5	<1.5
2 (Predictive)	<5	<25
3 (Predictive)	<50	<250
4 (Best Effort)	Unspecified	-

with SDU size = 1024 octets:

Delay Class	Mean Transfer Delay	95 percentile
1 (Predictive)	<0.5	<1.5
2 (Predictive)	<5	<25
3 (Predictive)	<50	<250
4 (Best Effort)	Unspecified	-

<reliability>^(num)

Reliability class

- [0] network subscribed value

1	Non real-time traffic, error-sensitive application that cannot cope with data loss
2	Non real-time traffic, error-sensitive application that can cope with infrequent data loss
3	Non real-time traffic, error-sensitive application that can cope with data loss, GMM/SM, and SMS
4	Real-time traffic, error-sensitive application that can cope with data loss
5	Real-time traffic, error non-sensitive application that can cope with data loss

<peak>^(num)

Peak throughput class
in octets per second

[0]	network subscribed value
1	Up to 1 000 (8 kbit/s)
2	Up to 2 000 (16 kbit/s)
3	Up to 4 000 (32 kbit/s)
4	Up to 8 000 (64 kbit/s)
5	Up to 16 000 (128 kbit/s)
6	Up to 32 000 (256 kbit/s)
7	Up to 64 000 (512 kbit/s)
8	Up to 128 000 (1024 kbit/s)
9	Up to 256 000 (2048 kbit/s)

<mean>^(num)

Mean throughput class
in octets per hour

[0]	network subscribed value
1	100 (~0.22 bit/s)
2	200 (~0.44 bit/s)
3	500 (~1.11 bit/s)
4	1 000 (~2.2 bit/s)
5	2 000 (~4.4 bit/s)
6	5 000 (~11.1 bit/s)
7	10 000 (~22 bit/s)
8	20 000 (~44 bit/s)
9	50 000 (~111 bit/s)
10	100 000 (~0.22 kbit/s)
11	200 000(~0.44 kbit/s)
12	500 000(~1.11 kbit/s)
13	1 000 000 (~2.2 kbit/s)
14	2 000 000 (~4.4 kbit/s)

15	5 000 000 (~11.1 kbit/s)
16	10 000 000 (~22 kbit/s)
17	20 000 000 (~44 kbit/s)
18	50 000 000 (~111 kbit/s)
31	best effort

<PDP_type>^(str)

Packet Data Protocol type

“IP“

Notes

- If parameters are not defined, the parameter default values depend on the HLR-stored subscribed default values.
- Definitions of parameters in GSM 02.60 and GSM 03.60 paragraph 15.2 "Quality of Service Profile".

Example

If some of the QoS parameters are omitted, they will keep their current value (or the default value if not specified so far), e.g.:

```
AT+CGDCONT=1,'ip'  
OK  
AT+CGQREQ=  
OK  
AT+CGQREQ?  
OK  
AT+CGQREQ=1,0  
OK  
AT+CGQMIN?  
+CGQREQ:1,0,0,0,0,0  
OK  
AT+CGQREQ=1,0,0,0,1  
OK  
AT+CGQREQ?  
+CGQREQ:1,0,0,0,1,0  
OK  
AT+CGQREQ=1,1  
OK  
AT+CGQREQ?  
+CGQREQ:1,1,0,0,1,0  
OK
```

10.8 AT+CGREG GPRS network registration status

Syntax

Test Command

```
AT+CGREG=?
```

Response(s)

```
+CGREG: (list of supported <n>s)  
OK
```

Read Command

```
AT+CGREG?
```

Response(s)

```
+CGREG: <n>, <stat>  
OK
```

Write Command

```
AT+CGREG=[<n>]
```

Response(s)

```
OK  
ERROR  
+CME ERROR
```

PIN	ASC0	MUX1	MUX2	MUX3
●	●	●	●	●

Reference(s)

GSM 07.07

Unsolicited Result Code

```
+CGREG: <stat>
```

Indicates a change in the MT's GPRS network registration status.

Command Description

The read command returns the status of result code presentation and an integer `<stat>` which shows whether the network has currently indicated the registration of the MT.

The write command controls the presentation of an unsolicited result code "+CGREG" when `<n>=1` and there is a change in the MT's GPRS network registration status.

Parameter Description

<code><n></code> ^(num)	
0 ^(P)	disable network registration unsolicited result code
1	enable network registration unsolicited result code "+CGREG"
<code><stat></code> ^(num)	
0	not registered, ME is not currently searching an operator to register to the MS is in GMM state GMM-NUL or GMM-DEREGISTERED-INITIATED. The GPRS service is disabled, the MS is allowed to attach for GPRS if requested by the user.
1	registered, home networkThe MS is in GMM state GMM-REGISTERED or GMM-ROUTING-AREA-UPDATING-INITIATED INITIATED on the home PLMN
2	not registered, but ME is currently trying to attach or searching an operator to register to. The MS is in GMM state GMM-DEREGISTERED or GMM-REGISTERED-INITIATED. The GPRS service is enabled, but an allowable PLMN is currently not available. The MS will start a GPRS attach as soon as an allowable PLMN is available
3	registration denied. The MS is in GMM state GMM-NUL. The GPRS service is disabled, the MS is not allowed to attach for GPRS if requested by the user
4	unknown
5	registered, roaming. The MS is in GMM state GMM-REGISTERED or GMM-ROUTING-AREA-UPDATING-INITIATED on a visited PLMN

Note

- When the module is GPRS attached and a PLMN reselection occurs to a non-GPRS capable network or to a network where the SIM is not subscribed to for using GPRS, the resulting GMM (GPRS mobility management) state according to GSM 24.008 is REGISTERED/NO CELL, meaning that the read command will still show `<stat>=1` or `<stat>=5`.

10.9 AT+CGSMS Select service for MO SMS messages

Syntax

Test Command

```
AT+CGSMS=?
```

Response(s)

```
+CGSMS: (list of supported <service>s)  
OK
```

Read Command

```
AT+CGSMS?
```

Response(s)

```
+CGSMS: <service>  
OK
```

Write Command

```
AT+CGSMS=[<service>]
```

Response(s)

```
OK  
ERROR  
+CME ERROR
```

PIN	ASC0	MUX1	MUX2	MUX3
●	●	●	●	●

Reference(s)

GSM 07.07

Command Description

The test command is used for requesting information on which services and service preferences can be set by using the [AT+CGSMS](#) write command

The read command returns the currently selected service or service preference.

The write command is used to specify the service or service preference that the MT will use to send MO SMS messages. If parameter [<service>](#) is not given, the current value remains unchanged.

Parameter Description

[<service>](#)^(num)

A numeric parameter which indicates the service or service preference to be used

0	GPRS
---	------

- | | |
|-----|--|
| 1 | circuit switched |
| 2 | GPRS preferred (use circuit switched if mobile is not GPRS attached) |
| [3] | circuit switched preferred (use GPRS if circuit switched is not available) |

Note

- Parameter cannot be stored using [AT&W](#)

10.10 AT^SGACT Query all PDP context activations

Syntax

Test Command

```
AT^SGACT=?
```

Response(s)

```
^SGACT: (range of supported <ifc>s) , (range of supported <state>s)  
OK
```

Read Command

```
AT^SGACT?
```

Response(s)

```
[^SGACT: <ifc>, <cid>, <state>]  
[^SGACT: <ifc>, <cid>, <state>]  
[^SGACT: ...]  
OK
```

Exec Command

```
AT^SGACT
```

Response(s)

```
^SGACT: <sum>  
OK
```

PIN	ASC0	MUX1	MUX2	MUX3
●	●	●	●	●

Reference(s)

SIEMENS

Command Description

The test command returns supported interfaces and states.

The read command lists the activation states for all activated PDP contexts of the ME. Contexts, which are created internally by the GPRS modem compatibility commands, will displayed only, if they are activated. The Output of this command is unsorted.

The exec command returns the sum of all activated PDP contexts of the ME.

Parameter Description

`<ifc>`^(num)

Interface

Specifies the interface on which a particular PDP context was defined. Every PDP context defined with the command `AT+CGDCONT` or internally by the GPRS modem compatibility commands is identified one-to-one by its (local) context identifier and the interface on which it was defined. The range of supported interfaces is returned by the test command.

0	RS232(0) or Multiplex channel 1
1	Multiplex channel 2
2	Multiplex channel 3

`<cid>`^(num)

PDP context identifier

The interface local identifier which was used to define a PDP context using the command `AT+CGDCONT` or which was created internally by using the GPRS modem compatibility commands. The range of supported values is returned by the `AT+CGDCONT` test command. A value of "0" is used by the GPRS modem compatibility commands if no context identifier was specified as the command was invoked.

`<state>`^(num)

PDP context activation state

Indicates the state of the PDP context activation.

0	deactivated
1	activated

`<sum>`^(num)

The sum of all activated PDP contexts of the ME.

10.11 AT^SGAUTH Set type of authentication for PPP connection

Syntax

Test Command

AT^SGAUTH=?

Response(s)

^SGAUTH: (list of supported <auth>s)

OK

ERROR

+CME ERROR

Read Command

AT^SGAUTH?

Response(s)

^SGAUTH: <auth>

OK

ERROR

+CME ERROR

Write Command

AT^SGAUTH=<auth>

Response(s)

OK

ERROR

+CME ERROR

PIN	ASC0	MUX1	MUX2	MUX3
<input type="radio"/>	<input checked="" type="radio"/>	<input checked="" type="radio"/>	<input checked="" type="radio"/>	<input checked="" type="radio"/>

Reference(s)

SIEMENS

Parameter Description

<auth>^(num)

Indicates types of supported authentication.

0	none
1	PAP
2	CHAP
3 ^(P)	PAP and CHAP

10.12 AT^SGCONF Configuration of GPRS related Parameters

Syntax

Test Command

```
AT^SGCONF=?
```

Response(s)

```
^SGCONF: (list of supported <llc_pdu_length>s), (list of supported <class>es)  
OK
```

Read Command

```
AT^SGCONF?
```

Response(s)

```
^SGCONF: <llc_pdu_length>, <class>  
OK
```

Write Command

```
AT^SGCONF=[<llc_pdu_length>][, <class>]
```

Response(s)

```
OK  
ERROR  
+CME ERROR
```

PIN	ASC0	MUX1	MUX2	MUX3
<input type="radio"/>	<input checked="" type="radio"/>	<input checked="" type="radio"/>	<input checked="" type="radio"/>	<input checked="" type="radio"/>

Reference(s)

SIEMENS

Parameter Description

<llc_pdu_length>^(num)

LLC-PDU-length

0 no negotiation with network (500 will be used)

140...1520^(P) lower values diminish performance

<class>^(num)

GPRS Multislot Class. The parameter can be changed only when the MT is detached, otherwise "CME ERROR: operation temporary not allowed" will be returned. The value can be one of the classes indicated with the Test command.

Notes

- +CME ERROR: invalid index: Parameter is out of range
- +CME ERROR: operation temporary not allowed: The command is blocked as long as GPRS is already in use (as long as mobile is GPRS attached).
- Writing to user profile with [AT&W](#) and restoring with [AT&F](#) are not supported.

<cid>^(num)

Parameter specifies a particular PDP context definition (see [AT+CGDCONT](#) command). If no context is specified, an internal context 0 with default properties is used (see [AT+CGDCONT](#), [AT+CGQREQ](#) and [AT+CGQMIN](#)).

1...2

Notes

- If MC35i is in dedicated mode, command returns with "+CME ERROR: phone busy".
- [ATD](#) is used as a standard V.25ter AT Command, too.

10.14 ATD*98# Request GPRS IP service

Syntax

Exec Command

```
ATD*98[* <cid>]#
```

Response(s)

```
CONNECT
```

```
NO CARRIER
```

PIN	ASC0	MUX1	MUX2	MUX3
●	●	●	◐	◐

Reference(s)

GSM 07.07

Command Description

This command causes the MT to perform whatever actions are necessary to establish a communication between the TE and the external PDN.

The V.25ter 'D' (Dial) command causes the MT to enter the V.25ter online data state and, with the TE, to start the layer 2 protocol.

GPRS attachment and PDP context activation procedures may take place prior to or during the PDP startup if they have not already been performed using the [AT+CGATT](#) and [AT+CGACT](#) commands. If the context to be used is already activated, it will be deactivated first. This ensures that the right context parameters will be used (e.g. QoS changes since the last context activation).

To confirm acceptance of the command before entering the V.25ter online data state command will respond with CONNECT.

When the layer 2 protocol has terminated, either as a result of an orderly shut down of the PDP or an error, the MT enters V.25ter command state and returns NO CARRIER.

Parameter Description

<cid>^(num)

Parameter specifies a particular PDP context definition (see [AT+CGDCONT](#) command). If no context is specified, an internal context 0 with default properties is used (see [AT+CGDCONT](#), [AT+CGQREQ](#) and [AT+CGQMIN](#)).

1...2

Notes

- If MC35i is in dedicated mode, command returns with "+CME ERROR: phone busy".
- [ATD](#) is used as a standard V.25ter AT Command, too.

10.15 ATH Manual rejection of a network request for PDP context activation

Syntax

```
Exec Command
ATH
Response(s)
OK
```

PIN	ASC0	MUX1	MUX2	MUX3
<input type="radio"/>	<input type="radio"/>	<input type="radio"/>	<input type="radio"/>	<input type="radio"/>

```
Reference(s)
GSM 07.07
```

Command Description

The V.25ter [ATH](#) command may be used to deactivate all PDP contexts which are active or online on the same interface.

Notes

- In contrast to GSM 07.07 it is possible to cancel a connection with [ATH](#) after a break. This is done for compatibility reasons due to the "dial-up network" drivers of Microsoft Windows.
- [ATH](#) is used as a standard V.25ter AT Command, too.

10.16 Using GPRS AT commands (Examples)

Examples

EXAMPLE 1

Defining and using a Context Definition ID (CID):

Every time a CID is used as a parameter for a GPRS command the CID has to be defined before by using the [AT+CGDCONT](#) command. To get the parameter of a CID use the [AT+CGDCONT](#) read option. If the response of 'AT+CGDCONT?' is OK only, there is no CID defined.

```
AT+CGDCONT?
```

```
OK
```

```
There is no CID defined
```

All parameters of the CID are initiated by NULL or not present values, and the CID itself is set to be undefined. To define a CID use the [AT+CGDCONT](#) command with at least one CID parameter. At the moment the mobile supports CID 1 and CID 2 by using the [AT+CGDCONT](#) command.

Define CID 1 and set the PDP type to IP, access point name and IP address are not set:

```
AT+CGDCONT=1,"IP"
```

```
OK
```

Define CID 2 and sets PDP type, APN and IP addr:

```
AT+CGDCONT=2,"IP","internet.t-d1.gprs",111.222.123.234
```

```
OK
```

A following read command will respond:

```
AT+CGDCONT?
```

```
+CGDCONT:1,"IP","","",0,0
```

```
+CGDCONT:2,"IP","internet.t-d1.gprs",111.222.123.234
```

```
OK
```

Set the CID 1 to be undefined:

```
AT+CGDCONT=1
```

```
OK
```

A following read command will respond:

```
AT+CGDCONT?
```

```
+CGDCONT:2,"IP","internet.t-d1.gprs",111.222.123.234
```

```
OK
```

EXAMPLE 2

Quality of Service (QoS) is a special parameter of a CID which consists of several parameters itself. The QoS consists of

- the precedence class
- the delay class
- the reliability class
- the peak throughput class
- the mean throughput class

and is divided in "requested QoS" and "minimum acceptable QoS".

All parameters of the QoS are initiated by default to the "network subscribed value (= 0)" but the QoS itself is set to be undefined. To define a QoS use the [AT+CGQREQ](#) or [AT+CGQMIN](#) command.

Overwrite the precedence class of QoS of CID 1 and set the QoS of CID 1 to be present:

```
AT+CGQREQ=1,2
OK
```

A following read command will respond:

```
AT+CGQREQ?
+CGQREQ: 1,2,0,0,0,0
OK
```

All QoS values of CID 1 are set to network subscribed now, except precedence class which is set to 2. Now set the QoS of CID 1 to not present:

```
AT+CGQREQ=1
OK
```

Once defined, the CID it can be activated. To activate CID 2 use:

```
AT+CGACT=1,2
OK
```

If the CID is already active, the mobile responds OK at once.

If no CID and no STATE is given, all defined CIDs will be activated by:

```
AT+CGACT=
OK
```

If no CID is defined the mobile responds +CME ERROR: invalid index

Remark: If the mobile is NOT attached by [AT+CGATT=1](#) before activating, the attach is automatically done by the [AT+CGACT](#) command.

After defining and activating a CID it may be used to get online by:

```
AT+CGDATA="PPP",1
CONNECT
```

The mobile is connected using the parameters of CID 1.

```
AT+CGDATA=
CONNECT
```

The mobile is connected using default parameters (<L2P>="PPP" and <cid> as described for command [AT+CGDATA](#)).

The mobile supports Layer 2 Protocol (L2P) PPP only.

Remark: If the mobile is NOT attached by [AT+CGATT=1](#) and the CID is NOT activated before connecting, attaching and activating is automatically done by the [AT+CGDATA](#) command.

Some providers (e.g. D2 or E-Plus) require to use an APN to establish a GPRS connection. So if you use the Microsoft Windows Dial-Up Network and ATD*9... to connect to GPRS you must provide the context definition as part of the modem definition (Modem properties/Connection/Advanced.../Extra settings). As an alternative, you can define and activate the context in a terminal program (e.g. Microsoft Hyperterminal) and then use the Dial-Up Network to send only the [ATD](#) command.

10.17 Using the GPRS dial command ATD

Example

In addition to the GPRS AT commands you can use the "D" command to dial into to the GPRS network.

There are two GPRS Service Codes for the ATD command: Values 98 and 99.

Examples:

ATD*99# CONNECT	Establish a connection by service code 99.
ATD*99*123.124.125.126*PPP*1# CONNECT	Establish a connection by service code 99, IP address 123 and L2P = PPP and using CID 1. The CID has to be defined by AT+CGDCONT .
ATD*99**PPP# CONNECT	Establish a connection by service code 99 and L2P = PPP.
ATD*99***1# CONNECT	Establish a connection by service code 99 and using CID 1.
ATD*99**PPP*1# CONNECT	Establish a connection by service code 99 and L2P = PPP and using CID 1. The CID has to be defined by AT+CGDCONT .
ATD*98# CONNECT	Establish a connection by service code 98.
ATD*98*1# CONNECT	Establish an IP connection by service code 98 using CID 1. The CID has to be defined by AT+CGDCONT .

11. FAX Commands

The following commands can be used for FAX transmission. If the ME is acting as a Fax-Modem to a PC-based application (e.g. "WinFax") it is necessary to select the proper Service Class (Fax Class) provided by the ME. The ME reports its Service Class capabilities, both the current setting and the range of services available. This is provided by the `AT+FCLASS` command.

Service Classes supported by ME:

<code>AT+FCLASS</code> Parameter	Service class	Reference, Standard
0	data modem	e.g. TIA/EIA-602 or ITU V.25ter
1	Service Class 1	EIA/TIA-578-A
2	manufacture specific	this document and EIA PN-2388 (draft)

The following AT commands are dummy commands:

`AT+FAA` Auto Answer mode

`AT+FECM` Error Correction Mode control

`AT+FLNFC` Page Length format conversion

`AT+FLPL` Indicate document available for polling

`AT+FMINS` Minimum Phase C speed

`AT+FRBC` Phase C data receive byte count

`AT+FREL` Phase C received EOL alignment

`AT+FSPL` Enable polling

`AT+FTBC` Phase C data transmit byte count

`AT+FWDFC` Page width format conversion

Invoking these commands will not cause ERROR result codes, but these commands have no functionality.

11.1 FAX parameters

Parameter Description

`<bf>`^(num)

Binary File Transfer Mode

Note: Only the default value needs to be implemented. Use test command to check which parameter values are really possible!

[0]	disable BFT
1	enable BFT

`
`^(num)

Bit Rate

0	2400 bit/s, V.27ter
1	4800 bit/s, V.27ter
2	7200 bit/s, V.29
[3]	9600 bit/s, V.29

<df>^(num)

Data Compression Format

Note: Only the default value needs to be implemented. Use test command to check which parameter values are really possible!

[0]	1-D modified Huffman
1	2-D modified read
2	2-D uncompressed mode

<ec>^(num)

Error Correction Mode

Note: Only the default value needs to be implemented. Use test command to check which parameter values are really possible!

[0]	disable ECM
1	enable ECM, 64 bytes/frame
2	enable ECM, 256 bytes/frame

<ln>^(num)

Page Length

0	A4, 297mm
1	B4, 364mm
[2]	unlimited length

<mod>^(num)

modulation mode

3	V21 Ch2 - 300 bps
24	V.27ter - 2400 bps
27	V.27ter - 4800 bps
48	V.27ter - 7200 bps
72	V.29 - 7200 bps
96	V.29 - 9600 bps

<st>^(num)

Scan Time/Line

Note: Only the default value needs to be implemented. Use test command to check which parameter values are really possible!

[0]	0 ms (at VR= normal)
1	5 ms
2	10 ms
3	10 ms
4	20 ms
5	20 ms

6	40 ms
7	40 ms

<vr>^(num)

Vertical Resolution

0	normal, 98 lpi
[1]	fine, 196 lpi

<wd>^(num)

Page Width

[0]	1728 pixels in 215mm
1	2048 pixels in 255 mm
2	2432 pixels in 303 mm
3	1216 pixels in 151 mm
4	864 pixels in 107 mm

Note

- Only the default value needs to be implemented. Use test command to check which parameter values are really possible

11.2 AT+FBADLIN Bad Line Threshold

Syntax

Read Command

```
AT+FBADLIN?
```

Response(s)

```
<badlin>
```

```
OK
```

Write Command

```
AT+FBADLIN=<badlin>
```

Response(s)

```
OK
```

```
If error is related to ME functionality
```

```
ERROR
```

PIN	ASC0	MUX1	MUX2	MUX3
<input type="radio"/>	<input checked="" type="radio"/>	<input checked="" type="radio"/>	<input type="radio"/>	<input type="radio"/>

Reference(s)

```
EIA PN-2388
```

Command Description

This command defines the Copy-Quality-OK-threshold. If `<badlin>` consecutive lines have pixel count errors in normal resolution (98 dpi) mode, then the copy quality is unacceptable. If `<badlin>` * 2 consecutive lines have pixel count errors in fine resolution (196 dpi) mode, then the copy quality is unacceptable. "Copy Quality Not OK" occurs if either the error percentage is too high or too many consecutive lines contain errors. A value of 0 implies that error checking is not present or disabled.

Parameter Description

`<badlin>`^(num)

bad lines

0...10^(P)...255

Note

- Used for Fax Class 2 only

11.3 AT+FBADMUL Error Threshold Multiplier

Syntax

Read Command

AT+FBADMUL?

Response(s)

<badmul>

OK

Write Command

AT+FBADMUL=<badmul>

Response(s)

OK

If error is related to ME functionality:

ERROR

PIN ASC0 MUX1 MUX2 MUX3

Reference(s)

EIA PN-2388

Command Description

This command defines the "Copy-Quality-OK" multiplier. The number of lines received with a bad pixel count is multiplied by this number. If the result exceeds the total number of lines on the page the error rate is considered too high. A threshold multiplier value of 20 corresponds to a 5 per cent error rate. A value of 0 implies that error checking is not present or disabled.

Parameter Description

<badmul>^(num)

0...20^(P)...255

Note

- Used for Fax Class 2 only

11.4 AT+FBOR Query data bit order

Syntax

Test Command

AT+FBOR=?

Response(s)

(list of supported <bor>s)

OK

Read Command

AT+FBOR?

Response(s)

<bor>

OK

Write Command

AT+FBOR=<bor>

Response(s)

OK

PIN ASC0 MUX1 MUX2 MUX3

Reference(s)

EIA PN-2388

Command Description

Query the bit order for receive-mode. The mode is set by the ME depending on the selected Service Class, see "[AT+FCLASS](#) Fax: Select, read or test service class".

Parameter Description

<bor>^(num)

bit order modes

0 Direct bit order for both Phase C and for Phase B/D data.

[1] Reversed bit order for Phase C data, direct Bit Order for Phase B/D data.

Note

- Used for Fax Class 2 only

11.5 AT+FCIG Query or set the Local Polling ID

Syntax

Test Command

```
AT+FCIG=?
```

Response(s)

(max. length of Local Polling ID string) (range of supported ASCII character values)
OK

Read Command

```
AT+FCIG?
```

Response(s)

```
<id>  
OK
```

Write Command

```
AT+FCIG=<id>
```

Response(s)

```
OK
```

PIN	ASC0	MUX1	MUX2	MUX3
<input type="radio"/>	<input checked="" type="radio"/>	<input checked="" type="radio"/>	<input type="radio"/>	<input type="radio"/>

Reference(s)

EIA PN-2388

Parameter Description

<id>^(num)

Local Polling ID string, max. length and possible content as reported by test command. Default value is empty string ("").

Notes

- Used for Fax Class 2 only
- See also [AT+FLID](#) Query or set the Local Id setting capabilities.

11.6 AT+FCLASS Fax: Select, read or test service class

Syntax

Test Command

AT+FCLASS=?

Response(s)

(list of supported <n>s)

OK

Read Command

AT+FCLASS?

Response(s)

<n>

OK

Write Command

AT+FCLASS=<n>

Response(s)

OK

PIN ASC0 MUX1 MUX2 MUX3

Reference(s)

EIA/TIA-592-A

Command Description

The ME is set to a particular mode of operation (data, fax). This causes the MA to process information in a manner suitable for that type of information.

Parameter Description

<n>^{(num)(&W)(&V)}

[0] ^(&F)	data (e.g. EIA/TIA-602 or ITU V.25ter)
1	Fax class 1 (EIA/TIA-578-A, Service Class 1)
2	Fax class 2 (EIA/TIA SP-2388, an early draft version of EIA/TIA-592-A - Service class 2.1)

Notes

- Using Error Correcting Mode (ECM) when sending FAXes over GSM should be avoided

- If `<n>` is set to 1 or 2, all incoming calls will be answered as fax calls with `ATA`, if `ATA` is issued on multiplexer channel 1 resp. ASC0. For calls explicitly signalled as voice or data calls, this procedure will fail with result code "NO CARRIER", but the call in question will continue to ring.
It is possible to change the setting of `<n>` to 0 while the call is ringing, and accept the call normally afterwards with `ATA`.

11.7 AT+FCQ Copy Quality Checking

Syntax

Test Command

AT+FCQ=?

Response(s)

(list of supported copy quality checking <cq>s)

OK

Read Command

AT+FCQ?

Response(s)

<cq>

OK

Write Command

AT+FCQ=<cq>

Response(s)

OK

PIN ASC0 MUX1 MUX2 MUX3

Reference(s)

EIA PN-2388

Command Description

This command controls Copy Quality checking when receiving a fax.

Parameter Description

<cq>^(num)

0	No copy quality checking. The ME will generate Copy Quality OK (MCF) responses to complete pages.
[1]	ME can check 1-D phase data. The connected application must check copy quality for 2-D phase C data.

Note

- Used for Fax Class 2 only

11.8 AT+FCR Capability to receive

Syntax

Write Command

```
AT+FCR=<cr>
```

Response(s)

```
OK
```

PIN	ASC0	MUX1	MUX2	MUX3
-----	------	------	------	------

<input type="radio"/>	<input checked="" type="radio"/>	<input checked="" type="radio"/>	<input type="radio"/>	<input type="radio"/>
-----------------------	----------------------------------	----------------------------------	-----------------------	-----------------------

Reference(s)

EIA PN-2388

Parameter Description

<cr>^(num)

[0]	ME will not receive message data. This can be used when the application has insufficient storage. The ME can send and can be polled for a file.
1	ME can receive message data.

Note

- Used for Fax Class 2 only

11.9 AT+FDCC Query or set capabilities

Syntax

Test Command

AT+FDCC=?

Response(s)

(list of <vr>s), (list of
s), (list of <wd>s), (list of <ln>s), (list of <df>s), (list of <ec>s), (list of <bf>s),
(list of <st>s)
OK

Read Command

AT+FDCC?

Response(s)

<vr>,
, <wd>, <ln>, <df>, <ec>, <bf>, <st>
OK

Write Command

AT+FDCC=<vr>,
, <wd>, <ln>, <df>, <ec>, <bf>, <st>

Response(s)

OK

PIN	ASC0	MUX1	MUX2	MUX3
<input type="radio"/>	<input checked="" type="radio"/>	<input checked="" type="radio"/>	<input type="radio"/>	<input type="radio"/>

Reference(s)

EIA PN-2388

Command Description

This command allows the connected application to sense and constrain the capabilities of the facsimile DCE (=ME), from the choices defined in CCITT T.30 Table 2.

Notes

- For further information see [AT+FDIS](#).
- Used for Fax Class 2 only

11.10 AT+FDFFC Data Compression Format Conversion

Syntax

Test Command

AT+FDFFC=?

Response(s)

(list of <df>s)

OK

Read Command

AT+FDFFC?

Response(s)

<df>

OK

Write Command

AT+FDFFC=<df>

Response(s)

OK

PIN	ASC0	MUX1	MUX2	MUX3
<input type="radio"/>	<input checked="" type="radio"/>	<input checked="" type="radio"/>	<input type="radio"/>	<input type="radio"/>

Reference(s)

EIA PN-2388

Command Description

This parameter determines the ME response to a mismatch between the data format negotiated for the fax session, reported by the <df> subparameter, and the Phase C data desired by the controlling application, indicated by the optional AT+FDT <df> subparameter, or the AT+FDIS <df> subparameter for AT+FDR operation.

Parameter Description

<df>^(num)

[0]

Mismatch checking is always disabled. The controlling application has to check the <df> subparameter and transfer matching data.

Notes

- For further information see [AT+FDIS](#).
- Used for Fax Class 2 only.

11.11 AT+FDIS Query or set session parameters

Syntax

Test Command

AT+FDIS=?

Response(s)

(list of <vr>s), (list of
s), (list of <wd>s), (list of <ln>s), (list of <df>s), (list of <ec>s), (list of <bf>s),
(list of <st>s)
OK

Read Command

AT+FDIS?

Response(s)

<vr>,
, <wd>, <ln>, <df>, <ec>, <bf>, <st>
OK

Write Command

AT+FDIS=<vr>,
, <wd>, <ln>, <df>, <ec>, <bf>, <st>

Response(s)

OK

PIN	ASC0	MUX1	MUX2	MUX3
<input type="radio"/>	<input checked="" type="radio"/>	<input checked="" type="radio"/>	<input type="radio"/>	<input type="radio"/>

Reference(s)

EIA PN-2388

Command Description

This command allows the controlling application to sense and constrain the capabilities used for the current session. It uses [AT+FDIS](#) to generate DIS or DTC messages directly, and uses [AT+FDIS](#) and received DIS messages to generate DCS messages.

Note

- Used for Fax Class 2 only

11.12 AT+FDR Begin or continue phase C data reception

Syntax

Exec Command

AT+FDR

Response(s)

CONNECT

or

OK

If error related to ME functionality

ERROR

PIN	ASC0	MUX1	MUX2	MUX3
<input type="radio"/>	<input checked="" type="radio"/>	<input checked="" type="radio"/>	<input type="radio"/>	<input type="radio"/>

Reference(s)

EIA PN-2388

Command Description

The command initiates transition to Phase C data reception.

Note

- Used for Fax Class 2 only

11.13 AT+FDT Data Transmission

Syntax

Exec Command

AT+FDT

Response(s)

CONNECT

Write Command

AT+FDT=<df>, <vr>, <wd>, <ln>

Response(s)

CONNECT

PIN	ASC0	MUX1	MUX2	MUX3
<input type="radio"/>	<input checked="" type="radio"/>	<input checked="" type="radio"/>	<input type="radio"/>	<input type="radio"/>

Reference(s)

EIA PN-2388

Command Description

This command requests the ME to transmit a Phase C page. When the ME is ready to accept Phase C data, it issues the negotiation responses and the CONNECT result code to the application.

In Phase B, the [AT+FDT](#) command releases the ME to proceed with negotiation, and releases the DCS message to the remote station. In Phase C, the [AT+FDT](#) command resumes transmission after the end of a data stream transmitted before.

Note

- Used for Fax Class 2 only

11.14 AT+FET End a page or document

Syntax

```
Write Command
AT+FET=<ppm>

Response(s)
OK
```

PIN	ASC0	MUX1	MUX2	MUX3
<input type="radio"/>	<input checked="" type="radio"/>	<input checked="" type="radio"/>	<input type="radio"/>	<input type="radio"/>

```
Reference(s)
EIA PN-2388
```

Command Description

This command indicates that the current page or partial page is complete. An ERROR response code results if this command is issued while the mode is on-hook.

Parameter Description

<ppm> ^(num)	
Post Page Message Codes	
1	another document next
2	no more pages or documents
4	another page, procedure interrupt
5	another document, procedure interrupt

Note

- Used for Fax Class 2 only

11.15 AT+FK Kill operation, orderly FAX abort

Syntax

```
Exec Command
AT+FK

Response(s)
OK
```

PIN	ASC0	MUX1	MUX2	MUX3
<input type="radio"/>	<input checked="" type="radio"/>	<input checked="" type="radio"/>	<input type="radio"/>	<input type="radio"/>

Command Description

This command causes the TA to terminate the session in an orderly manner.

Note

- Used for Fax Class 2 only

11.16 AT+FLID Query or set the Local Id setting capabilities

Syntax

Test Command

```
AT+FLID=?
```

Response(s)

```
(max. character length of Local ID string) (range of supported ASCII character values)  
OK
```

Read Command

```
AT+FLID?
```

Response(s)

```
<lid>  
OK
```

Write Command

```
AT+FLID=<lid>
```

Response(s)

```
OK
```

PIN	ASC0	MUX1	MUX2	MUX3
<input type="radio"/>	<input checked="" type="radio"/>	<input checked="" type="radio"/>	<input type="radio"/>	<input type="radio"/>

Reference(s)

```
EIA PN-2388
```

Parameter Description

<lid>^(num)

Local ID string

max. length and possible content as reported by test command. Default value is empty string ("").

Notes

- Used for Fax Class 2 only
- See also [AT+FCIG](#) Query or set the Local polling id

11.17 AT+FMDL Identify Product Model

Syntax

Read Command

AT+FMDL?

Response(s)

Gipsy Soft Protocolstack
OK

PIN	ASC0	MUX1	MUX2	MUX3
<input type="radio"/>	<input checked="" type="radio"/>	<input checked="" type="radio"/>	<input type="radio"/>	<input type="radio"/>

Reference(s)

SIEMENS

Command Description

Send the model identification to the TA.

Note

- Used for Fax Class 2 only

11.18 AT+FMFR Request Manufacturer Identification

Syntax

```
Read Command
AT+FMFR?

Response(s)
SIEMENS
OK
```

PIN	ASC0	MUX1	MUX2	MUX3
<input type="radio"/>	<input checked="" type="radio"/>	<input checked="" type="radio"/>	<input type="radio"/>	<input type="radio"/>

```
Reference(s)
SIEMENS
```

Command Description

Send the manufacturer identification to the TA.

Note

- Used for Fax Class 2 only

11.19 AT+FOPT Set bit order independently

Syntax

Write Command

```
AT+FOPT=<opt>
```

Response(s)

```
OK
```

PIN	ASC0	MUX1	MUX2	MUX3
<input type="radio"/>	<input checked="" type="radio"/>	<input checked="" type="radio"/>	<input type="radio"/>	<input type="radio"/>

Reference(s)

SIEMENS

Command Description

Model specific command to set bit order independently of the understanding which is "mirrored" and which is direct.

Parameter Description

<opt>^(num)

0	non-standard
1	standard

Note

- Used for Fax Class 2 only

11.20 AT+FPHCTO DTE Phase C Response Timeout

Syntax

Read Command

AT+FPHCTO?

Response(s)

<tout>

OK

Write Command

AT+FPHCTO=<tout>

Response(s)

OK

If error is related to ME functionality

ERROR

PIN ASC0 MUX1 MUX2 MUX3

Reference(s)

EIA PN-2388

Command Description

The time-out value <tout> determines how long the DCE will wait for a command after reaching the end of data when transmitting in Phase C. When time-out is reached, the DCE assumes that there are no more pages or documents to send.

Parameter Description

<tout>^(num)

Timeout

Value in 100ms units

0...30^(P)...255

Note

- Used for Fax Class 2 only

11.21 AT+FREV Identify Product Revision

Syntax

Read Command

AT+FREV?

Response(s)

V2.550

OK

PIN

ASC0

MUX1

MUX2

MUX3



Reference(s)

SIEMENS

Command Description

Sends the revision identification to the TA.

Note

- Used for Fax Class 2 only

11.22 AT+FRH Receive Data Using HDLC Framing

Syntax

Write Command

```
AT+FRH=<mod>
```

Response(s)

```
CONNECT
```

```
If error related to ME functionality
```

```
ERROR
```

PIN	ASC0	MUX1	MUX2	MUX3
<input type="radio"/>	<input checked="" type="radio"/>	<input checked="" type="radio"/>	<input type="radio"/>	<input type="radio"/>

Reference(s)

TIA/EIA-578

Command Description

This command causes the TA to receive frames using the HDLC protocol and the modulation defined below. An ERROR response code results if this command is issued while the modem is on-hook.

Note

- Used for Fax Class 1 only

11.23 AT+FRM Receive Data

Syntax

Test Command

AT+FRM=?

Response(s)

(list of <mod>s)

OK

Write Command

AT+FRM=<mod>

Response(s)

CONNECT

If error is related to ME functionality:

ERROR

PIN	ASC0	MUX1	MUX2	MUX3
<input type="radio"/>	<input checked="" type="radio"/>	<input checked="" type="radio"/>	<input type="radio"/>	<input type="radio"/>

Reference(s)

TIA/EIA-578

Command Description

This command causes the TA to enter the receiver-mode using the modulation defined below. An ERROR response code results if this command is issued while the modem is on-hook.

Notes

- Used for Fax Class 1 only
- <mod>= 3 is not possible

11.24 AT+FRS Receive Silence

Syntax

Write Command

```
AT+FRS=<time>
```

Response(s)

```
OK
```

```
If error related to ME functionality
```

```
ERROR
```

PIN	ASC0	MUX1	MUX2	MUX3
<input type="radio"/>	<input checked="" type="radio"/>	<input checked="" type="radio"/>	<input type="radio"/>	<input type="radio"/>

Reference(s)

TIA/EIA-578

Command Description

<time>=n causes the TA to report an OK result code to the TE after <time> 10 millisecond intervals of silence have been detected on the line. This command is aborted if any character is received by the DTE. The modem discards the aborting character and issues an OK result code. An ERROR response code results if this command is issued while the mode is on-hook

Parameter Description

<time>^(num)

no. of 10 millisecond intervals

0...255

Note

- Used for Fax Class 1 only

11.25 AT+FTH Transmit Data Using HDLC Framing

Syntax

Write Command

AT+FTH=<mod>

Response(s)

CONNECT

PIN	ASC0	MUX1	MUX2	MUX3
<input type="radio"/>	<input checked="" type="radio"/>	<input checked="" type="radio"/>	<input type="radio"/>	<input type="radio"/>

Reference(s)

TIA/EIA-578

Command Description

This command causes the TA to transmit data using HDLC protocol and the modulation mode defined below. An ERROR response code results if this command is issued while the modem is on-hook

Notes

- Used for Fax Class 1 only
- Only <mod>= 3 is possible

11.26 AT+FTM Transmit Data

Syntax

Test Command

AT+FTM=?

Response(s)

(list of <mod>s)

OK

Write Command

AT+FTM=<mod>

Response(s)

CONNECT

If error is related to ME functionality

ERROR

PIN	ASC0	MUX1	MUX2	MUX3
<input type="radio"/>	<input checked="" type="radio"/>	<input checked="" type="radio"/>	<input type="radio"/>	<input type="radio"/>

Reference(s)

TIA/EIA-578

Command Description

This command causes the TA to transmit data using the modulation mode defined below. An ERROR response code results if this command is issued while the modem is on-hook.

Notes

- Used for Fax Class 1 only
- <mod>= 3 is not possible

11.27 AT+FTS Stop Transmission and Wait

Syntax

Write Command

```
AT+FTS=<time>
```

Response(s)

An ERROR response code results if this command is issued while the modem is on-hook.

PIN	ASC0	MUX1	MUX2	MUX3
<input type="radio"/>	<input checked="" type="radio"/>	<input checked="" type="radio"/>	<input type="radio"/>	<input type="radio"/>

Reference(s)

TIA/EIA-578

Command Description

This command causes the TA to terminate a transmission and wait for <time> 10 millisecond intervals before responding with the OK result code to the DTE.

Parameter Description

<time>^(num)

no. of 10 millisecond intervals

0...85

Note

- Used for Fax Class 1 only

11.28 AT+FVRF Vertical resolution format conversion

Syntax

Test Command

```
AT+FVRF=?
```

Response(s)

(list of supported <vrfc>s)

OK

Read Command

```
AT+FVRF?
```

Response(s)

<vrfc>

OK

Write Command

```
AT+FVRF=<vrfc>
```

Response(s)

OK

PIN	ASC0	MUX1	MUX2	MUX3
<input type="radio"/>	<input checked="" type="radio"/>	<input checked="" type="radio"/>	<input type="radio"/>	<input type="radio"/>

Reference(s)

EIA PN-2388

Command Description

This command determines the DCE response to a mismatch between the vertical resolution negotiated for the facsimile session and the Phase C data desired by the DTE.

Parameter Description

<vrfc>^(num)

0	Disable mismatch checking.
[2]	Enable mismatch checking, with resolution conversion of 1-D data in the DCE, and an implied AT+FK command executed on 2-D mismatch detection.

Note

- Used for Fax Class 2 only

12. Short Message Service (SMS) Commands

The AT Commands described in this chapter allow an external application to use the Short Message Service with the MC35i.

12.1 SMS parameters

Parameter Description

`<ackpdu>`^(num)

Format is same for `<pdu>` in case of SMS, but without GSM 24.11 SC address field and parameter shall be bounded by double quote characters like a normal string type parameter

`<alpha>`^{(str)(+CSCS)}

String type alphanumeric representation of `<da>` or `<oa>` corresponding to the entry found in phonebook; implementation of this feature is manufacturer specific

`<cdata>`^(num)

Command Data

GSM 03.40 TP-Command-Data in text mode responses; ME/TA converts each 8-bit octet into two IRA character long hexadecimal numbers (e.g. octet with integer value 42 is presented to TE as two characters 2A (IRA 50 and 65))

`<ct>`^(num)

Command Type

GSM 03.40 TP-Command-Type in integer format

[0]...255

`<da>`^{(num)(+CSCS)}

Destination Address

GSM 03.40 TP- Destination-Address Address-Value field in string format; BCD numbers (or GSM default alpha characters) are converted into characters; type of address given by `<toda>`

`<data>`^{(num)(+CSCS)}

User Data

In case of SMS: GSM 03.40 TP-User-Data in text mode responses; format:

- If `<dcs>` indicates that GSM 03.38 default alphabet is used and `<fo>` indicates that GSM 03.40 TP-User-Data-Header-Indication is not set: ME/TA converts GSM alphabet into current TE character set according to rules covered in Annex A.
- If `<dcs>` indicates that 8-bit or UCS2 data coding scheme is used, or `<fo>` indicates that GSM 03.40 TP-User-Data-Header-Indication is set: ME/TA converts each 8-bit octet into hexadecimal numbers containing two IRA characters (e.g. octet with integer value 42 is presented to TE as two characters 2A (IRA 50 and 65)).

In case of CBS: GSM 03.41 CBM Content of Message in text mode responses; format:

- If `<dcs>` indicates that GSM 03.38 default alphabet is used: ME/TA converts GSM alphabet into current TE character set according to rules covered in Annex A.

- If `<dcs>` indicates that 8-bit or UCS2 data coding scheme is used: ME/TA converts each 8-bit octet into hexadecimal numbers containing two IRA characters.

`<dt>`^(num)

Discharge Time

GSM 03.40 TP-Discharge-Time in time-string format: "yy/MM/dd, hh:mm:ss+zz", where characters indicate year (two last digits), month, day, hour, minutes, seconds and time zone. For example, 6th of May 1994, 22:10:00 GMT+2 hours equals "94/05/06,22:10:00+08"

`<index>`^(num)

Integer type; value in the range of location numbers supported by the associated memory

`<length>`^(num)

Message Length

Integer type value indicating in the text mode (`AT+CMGF=1`) the length of the message body `<data>` (or `<cdata>`) in characters; or in PDU mode (`AT+CMGF=0`), the length of the actual TP data unit in octets (i.e. the RP layer SMSC address octets are not counted in the length) In text mode, the maximum length of an SMS depends on the used coding scheme: It is 160 characters if the 7 bit GSM coding scheme is used, and 140 characters according to the 8 bit GSM coding scheme.

If the SMS message format is "text mode" (`AT+CMGF=1`) and the character set is set to "UCS2" with `AT+CSCS` and the SMS is also coded as "UCS2" (see `<dcs>` of `AT+CSPMP`), then the length is in octets instead of characters.

`<mem1>`^(str)

Memory to be used when listing, reading and deleting messages:

"SM"	SIM message storage
"ME"	Mobile Equipment message storage
"MT" ^(D)	Sum of "SM" and "ME" storages

`<mem2>`^(str)

Memory to be used when writing and sending messages:

"SM"	SIM message storage
"ME"	Mobile Equipment message storage
"MT" ^(D)	Sum of "SM" and "ME" storages

`<mem3>`^(str)

Received messages will be placed in this memory storage if routing to TE is not set. See command `AT+CNMI` with parameter `<mt>=2`.

"SM"	SIM message storage
"MT" ^(D)	Sum of "SM" and "ME" storages

`<mid>`^(num)

Message Identifier

GSM 03.41 CBM Message Identifier in integer format

<mn>^(num)

Message Number

GSM 03.40 TP-Message-Number in integer format

<mr>^(num)

Message Reference

GSM 03.40 TP-Message-Reference in integer format

<oa>^{(num)(+CSCS)}

Originating Address

GSM 03.40 TP-Originating-Address Address-Value field in string format; BCD numbers (or GSM default alphabet characters) are converted into characters; type of address given by <toa>

<page>^(num)

Page Parameter

GSM 03.41 CBM Page Parameter bits 4-7 in integer format

<pages>^(num)

Page Parameter

GSM 03.41 CBM Page Parameter bits 0-3 in integer format

<pdu>^(num)

In the case of SMS: GSM 04.11 SC address followed by GSM 03.40 TPDU in hexadecimal format: ME/TA converts each octet of TP data unit into hexadecimal numbers containing two IRA characters (e.g. octet with integer value 42 is presented to TE as two characters 2A (IRA 50 and 65)). In the case of CBS: <ra> GSM 03.40 TP-Recipient-Address Address-Value field in string format; BCD numbers (or GSM default alphabet characters) are converted into characters; type of address given by <tora>

<ra>^{(num)(+CSCS)}

Recipient Address

GSM 03.40 TP-Recipient-Address Address-Value field in string format; BCD numbers (or GSM default alphabet characters) are converted to characters of the currently selected TE character set (refer to command [AT+CSCS](#)); type of address given by <tora>

<sca>^{(num)(+CSCS)}

Service Center Address

GSM 04.11 RP SC address Address-Value field in string format; BCD numbers (or GSM default alphabet characters) are converted to characters of the currently selected TE character set (refer to command [AT+CSCS](#)); type of address given by <tosca>

<scts>^(num)

Service Centre Time Stamp

GSM 03.40 TP-Service-Centre-Time-Stamp in time-string format (refer <dt>)

`<sn>`^(num)

Serial Number

GSM 03.41 CBM Serial Number in integer format

`<st>`^(num)

Status

GSM 03.40 TP-Status in integer format

0...255

`<stat>`^(str)

Message status

3GPP 27.005 Interface of SMS and CB. Indicates the status of message in memory.

Description	text mode (<code><mode>=1</code>)	PDU mode (<code><mode>=0</code>)	Default
Received unread messages	"REC UNREAD"	0	for SMS reading commands
Received read messages	"REC READ"	1	
Stored unsent messages	"STO UNSENT"	2	for SMS writing commands
Stored sent messages	"STO SENT"	3	
All messages	"ALL"	4	

`<tda>`^(num)

Type of Destination Address

GSM 04.11 TP-Destination-Address Type-of-Address octet in integer format (when first character of `<da>` is + (IRA 43) default is 145, otherwise default is 129)

0...255

`<toa>`^(num)

Type of Originating Address

GSM 04.11 TP-Originating-Address Type-of-Address octet in integer format (default refer `<tda>`)

`<tora>`^(num)

Type of Recipient Address

GSM 04.11 TP-Recipient-Address Type-of-Address octet in integer format (default refer `<tda>`)

`<tosca>`^(num)

Type of Service Center Address

GSM 04.11 RP SC address Type-of-Address octet in integer format (default refer `<tda>`)

12.2 AT+CMGC Send an SMS command

Syntax

Test Command

```
AT+CMGC=?
```

Response(s)

```
OK
```

Write Command

If text mode (see [AT+CMGF=1](#))

```
AT+CMGC=<fo>, <ct>[, <pid>[, <mn>[, <da>[, <toda>]]]]<CR> Text can be entered <CTRL-Z>/<ESC>
```

Response(s)

```
+CMGC: <mr>[, <scts>]
```

If sending fails

```
ERROR
```

```
+CMS ERROR
```

Write Command

If PDU mode (see [AT+CMGF=0](#))

```
AT+CMGC=<length><CR> PDU can be entered <CTRL-Z>/<ESC>
```

Response(s)

```
+CMGC: <mr>[, <ackpdu>]
```

```
OK
```

If sending fails

```
ERROR
```

```
+CMS ERROR
```

PIN	ASC0	MUX1	MUX2	MUX3
●	●	●	●	●

Reference(s)

```
GSM 07.05
```

Notes

- After invoking the commands [AT+CMGW](#), [AT+CMGS](#) or [AT+CMGC](#) it is necessary to wait for the prompt ">" before entering text or PDU. After the prompt a timer will be started to observe the input.
- At baudrates below 19200 it is recommended to use the line termination character only (refer to [ATS3](#), default <CR>) before entering the text or PDU. Use of the line termination character followed by the response formatting character (refer to [ATS4](#), default <LF>) can cause problems

12.3 AT+CMGD Delete SMS message

Syntax

Test Command

```
AT+CMGD=?
```

Response(s)

```
OK
```

Write Command

```
AT+CMGD=<index>
```

Response(s)

```
OK
```

```
ERROR
```

```
+CMS ERROR
```

PIN	ASC0	MUX1	MUX2	MUX3
●	●	●	●	●

Reference(s)

```
GSM 07.05
```

Command Description

Write command deletes message from preferred message storage [<mem1>](#) location [<index>](#).

Notes

- If there is no SMS stored at the selected index, the response is OK too.
- This command should be used only after the SMS data from the SIM have been read successfully for the first time. This may take up to 30 seconds after ^SYSSTART depending on the SIM used. A SMS delete attempt before the SIM is ready will result in "+CME Error: 14" (SIM busy).
- We recommend to take advantage of the "^SSIM READY" URC. If enabled with [AT^SSET](#), this URC acknowledges to the user that SIM data is accessible after SIM PIN authentication. It will be delivered once the ME has completed reading data from the SIM card.

12.4 AT+CMGF Select SMS message format

Syntax

Test Command

```
AT+CMGF=?
```

Response(s)

```
+CMGF: (list of supported <mode>s)
```

```
OK
```

Read Command

```
AT+CMGF?
```

Response(s)

```
+CMGF: <mode>
```

```
OK
```

Write Command

```
AT+CMGF=<mode>
```

Response(s)

```
OK
```

PIN	ASC0	MUX1	MUX2	MUX3
<input type="radio"/>	<input checked="" type="radio"/>	<input checked="" type="radio"/>	<input checked="" type="radio"/>	<input checked="" type="radio"/>

Reference(s)

```
GSM 07.05
```

Command Description

The write command specifies the input and output format of the short messages.

Parameter Description

<mode>^{(num)(&W)(&V)}

[0] ^(&F)	PDU mode
-------------------------	----------

1	Text mode
---	-----------

12.5 AT+CMGL List SMS messages from preferred store

Syntax

Test Command

AT+CMGL=?

Response(s)

+CMGL: (list of supported <stat>s)
OK

Exec Command

AT+CMGL

Response(s)

+CMGL: (see write command for default of <stat>)
OK

Write Command

AT+CMGL=<stat>

Response(s)

Output if text mode (AT+CMGF=1) and command successful:

For SMS- SUBMITs and/or SMS-DELIVERs

+CMGL: <index>, <stat>, <oa>/<da>, [<alpha>], [<scts>][, <toa>/<tda>, <length>]
<data>
[...]
OK

For SMS-STATUS-REPORTs

+CMGL: <index>, <stat>, <fo>, <mr>, [<ra>], [<tora>], <scts>, <dt>, <st>
[...]
OK

For SMS-Commands

+CMGL: <index>, <stat>, <fo>, <ct>
[...]
OK

Output if PDU mode AT+CMGF=0 and command successful:

For SMS-SUBMITs and/or SMS-DELIVERs

+CMGL: <index>, <stat>, [<alpha>], <length>
<pdu>
[...]
OK

If error is related to ME functionality

ERROR
+CMS ERROR

PIN	ASC0	MUX1	MUX2	MUX3
●	●	●	●	●

Reference(s)
GSM 07.05

Command Description

The execute command is the same as the write command with the given default for `<stat>`.

The write command returns messages with status value `<stat>` from message storage `<mem1>` to the TE. If status of the message is 'received unread', status in the storage changes to 'received read'.

Notes

- The selected `<mem1>` can contain different types of SMS (e.g. SMS-DELIVERs, SMS-SUBMITs, SMS-STATUS-REPORTs and SMS-COMMANDs), the response may be a mix of the responses of different SM types. TE application can recognize the response format by examining the third response parameter.
- The parameters `<ra>` and `<tora>` will only be displayed if parameter `<ra>` of the `AT^SSCONF` command is set to 1.
- This command can be used only after the SMS data from the SIM have been read successfully for the first time. Reading starts after successful SIM authentication has been performed, and may take up to 30 seconds depending on the SIM used. While the read process is in progress, an attempt to use any of the SMS read commands will result in "+CME Error: 14" (SIM busy)
- We recommend to take advantage of the "^SSIM READY" URC. If enabled with `AT^SSET`, this URC acknowledges to the user that SIM data is accessible after SIM PIN authentication. It will be delivered once the ME has completed reading data from the SIM card.

12.6 AT+CMGR Read SMS messages

Syntax

Test Command

```
AT+CMGR=?
```

Response(s)

```
OK
```

Write Command

```
AT+CMGR=<index>
```

Response(s)

Output if text mode (**AT+CMGF=1**) and command successful:

For SMS-DELIVER

```
+CMGR: <stat>, <oa>, [<alpha>], <scts>[, <tooa>, <fo>, <pid>, <dcsc>, <sca>, <tosca>, <length>]
<data>
```

```
[...]
```

```
OK
```

For SMS-SUBMIT

```
+CMGR: <stat>, <da>, [<alpha>][, <toda>, <fo>, <pid>, <dcsc>, [<vp>], <sca>, <tosca>, <length>]
<data>
```

```
[...]
```

```
OK
```

For SMS-STATUS-REPORT

```
+CMGR: <stat>, <fo>, <mr>, [<ra>], [<tora>], <scts>, <dt>, <st>
<data>
```

```
[...]
```

```
OK
```

For SMS-Commands

```
+CMGR: <stat>, <fo>, <ct>[, <pid>, [<mn>], [<da>], [<toda>], <length>]
<data>
```

```
[...]
```

```
OK
```

Output if PDU mode (**AT+CMGF=0**) and command successful:

For SMS-SUBMITs and/or SMS-DELIVERs

```
+CMGR: <stat>, [<alpha>], <length>
<pdu>
```

```
[...]
```

```
OK
```

```
ERROR
```

```
+CMS ERROR
```

PIN	ASC0	MUX1	MUX2	MUX3
●	●	●	●	●

Reference(s)
GSM 07.05

Command Description

The write command returns SMS message with location value `<index>` from message storage `<mem1>` to the TE. If status of the message is 'received unread', status in the storage changes to 'received read'.

Notes

- Response if `AT+CMGR` is used to read an empty record index: `+CMGR: 0,,0`
- Response if `AT+CMGR` is used to read a non-existent record index: `+CMS ERROR: invalid memory index`
- The parameters `<ra>` and `<tora>` will only be displayed if parameter `<ra>` of the `AT^SSCONF` command is set to 1.
- This command can be used only after the SMS data from the SIM have been read successfully for the first time. Reading starts after successful SIM authentication has been performed, and may take up to 30 seconds depending on the SIM used. While the read process is in progress, an attempt to use any of the SMS read commands will result in "+CME Error: 14" (SIM busy)
- We recommend to take advantage of the "^SSIM READY" URC. If enabled with `AT^SSET`, this URC acknowledges to the user that SIM data is accessible after SIM PIN authentication. It will be delivered once the ME has completed reading data from the SIM card.

12.7 AT+CMGS Send SMS message

Syntax

Test Command

```
AT+CMGS=?
```

Response(s)

```
OK
```

Write Command

If text mode (see [AT+CMGF=1](#))

```
AT+CMGS=<da>[, <toda>]<CR> Text can be entered. <CTRL-Z>/<ESC>
```

Response(s)

```
+CMGS: <mr>[, <scts>]
```

```
OK
```

If sending fails see notes below.

Write Command

If PDU mode (see [AT+CMGF=0](#))

```
AT+CMGS=<length><CR> PDU can be entered. <CTRL-Z>/<ESC>
```

Response(s)

```
+CMGS: <mr>[, <ackpdu>]
```

```
OK
```

If sending fails see notes below.

PIN	ASC0	MUX1	MUX2	MUX3
●	●	●	●	●

Reference(s)

```
GSM 07.05
```

Command Description

The write command transmits a short message from TE to network (SMS-SUBMIT).

After invoking the write command wait for the prompt ">" and then start to write the message. To send the message simply enter <CTRL-Z>. After the prompt a timer will be started to observe the input.

To abort sending use <ESC>. Abortion is acknowledged with "OK", though the message will not be sent.

The message reference <mr> is returned to the TE on successful message delivery. The value can be used to identify the message in a delivery status report provided as an unsolicited result code.

Notes

- If sending fails, for example, if a message is too long, the result code depends on the current setting of the [AT^SM20](#) command:

If the `AT^SM20 <CmgwMode>` equals 1 (factory default) any failure to send a message is responded with "OK". Users should be aware, that despite the "OK" response, the message will not be sent to the subscriber. If the `AT^SM20 <CmgwMode>` equals 0 any failure to send a message is responded with "ERROR".

- If sending fails due to timeout, then
`AT^SM20 <CmgwMode>=1` causes "+CMS ERROR: Unknown error" to be returned;
`AT^SM20 <CmgwMode>=0` causes "+CMS ERROR: timer expired" to be returned.
- Note that some providers do not recognize an @ symbol used in a short message. A widely used alternative is typing "*" as defined in GSM 03.40 (GPP TS 23.40).
- All characters entered behind the prompt ">" will be recognized as GSM characters. For example, "Backspace" (ASCII character 8) does not delete a character, but will be inserted into the short message as an additional physical character. As a result, the character you wanted to delete still appears in the text, plus the GSM code equivalent of the Backspace key.
- In text mode, the maximum length of an SMS depends on the used coding scheme: It is 160 characters if the 7 bit GSM coding scheme is used, and 140 characters according to the 8 bit GSM coding scheme.
- At baudrates lower than 19200 it is recommended to use the line termination character only (refer to <n> of `ATS3`, default <CR>) before entering text or PDU. Use of the line termination character followed by the response formatting character (see <n> of `ATS4`, default <LF>) can cause problems.

12.8 AT+CMGW Write SMS messages to memory

Syntax

Test Command

AT+CMGW=?

Response(s)

OK

Exec Command

If text mode (see [AT+CMGF=1](#)):

AT+CMGW

Response(s)

<CR> Text can be entered. <CTRL-Z>/<ESC>

+CMGW: <index>

OK

If writing fails

ERROR

+CMS ERROR

Write Command

If text mode (see [AT+CMGF=1](#)):

AT+CMGW=<oa>/<da>[, [<toa>/<toda>][, <stat>]]<CR> Text can be entered. <CTRL-Z>/<ESC>

Response(s)

+CMGW: <index>

OK

If writing fails see notes below.

Write Command

If PDU mode (see [AT+CMGF=0](#)):

AT+CMGW=<length>[, <stat>]<CR> PDU can be entered. <CTRL-Z>/<ESC>

Response(s)

+CMGW: <index>

OK

If writing fails see notes below.

PIN	ASC0	MUX1	MUX2	MUX3
●	●	●	●	●

Reference(s)

GSM 07.05

Command Description

The execute and write commands transmit SMS (either SMS-DELIVER or SMS-SUBMIT) from TE to memory storage `<mem2>`. Memory location `<index>` of the stored message is returned. Message status will be set to 'stored unsent' unless otherwise given in parameter `<stat>`.

After invoking the execute or write command wait for the prompt ">" and then start to write the message. To save the message simply enter `<CTRL-Z>`. After the prompt a timer will be started to observe the input.

To abort writing use `<ESC>`. Abortion is acknowledged with "OK", though the message will not be saved.

Notes

- If writing fails, for example, if a message is too long, the result code depends on the current setting of the `AT^SM20` command:
If the `AT^SM20 <CmgwMode>=1` (factory default) any failure to send a message is responded with "OK". Users should be aware, that despite the "OK" response, the message will not be written to the selected SMS storage.
If the `AT^SM20 <CmgwMode>` equals 0 any failure to write a message is responded with "ERROR".
- If writing fails due to timeout, then
`AT^SM20 <CmgwMode>=1` causes "+CMS ERROR: Unknown error" to be returned;
`AT^SM20 <CmgwMode>=0` causes "+CMS ERROR: timer expired" to be returned.
- Note that some providers do not recognize an @ symbol used in a short message. A widely used alternative is typing "*" as defined in GSM 03.40 (GPP TS 23.40).
- For baudrates lower than 19200 it is recommended to use the line termination character only (refer to `ATS3= <n>`, default `<CR>`) before entering the text or PDU. Use of the line termination character followed by the response formatting character (see `ATS4= <n>`, default `<LF>`) may cause problems.
- SMS-COMMANDS and SMS-STATUS-REPORTs cannot be stored in text mode.
- All characters entered behind the ">" prompt will be recognized as GSM characters. For example, "Backspace" (ASCII character 8) does not delete a character, but will be inserted into the short message as an additional physical character. As a result, the character you wanted to delete still appears in the text, plus the GSM code equivalent of the Backspace key.
- In text mode, the maximum length of an SMS depends on the used coding scheme: It is 160 characters if the 7 bit GSM coding scheme is used, and 140 characters according to the 8 bit GSM coding scheme.
- The length of 8-bit data coded short messages has to be greater than 0.

12.9 AT+CMSS Send SMS messages from storage

Syntax

Test Command

AT+CMSS=?

Response(s)

OK

Write Command

If text mode ([AT+CMGF=1](#)):

AT+CMSS=<index>[, <da>[, <toda>]]

Response(s)

+CMSS: <mr>[, <scts>]

OK

If sending fails

ERROR

+CMS ERROR

Write Command

If PDU mode ([AT+CMGF=0](#)):

AT+CMSS=<index>[, <da>[, <toda>]]

Response(s)

+CMSS: <mr>[, <ackpdu>]

OK

If sending fails

ERROR

+CMS ERROR

PIN	ASC0	MUX1	MUX2	MUX3
●	●	●	●	●

Reference(s)

GSM 07.05

Command Description

The write command sends message with location value <index> from message storage <mem2> to the network (SMS-SUBMIT or SMS-COMMAND). If new recipient address <da> is given for SMS-SUBMIT, it shall be used instead of the one stored with the message. Reference value <mr> is returned to the TE on successful message delivery. Value can be used to identify message upon unsolicited delivery status report result code.

If the optional parameter <da> is given, the old status of the short message at <index> remains unchanged (see <stat>).

12.10 AT+CNMA New SMS message acknowledge to ME/TE, only phase 2+

Syntax

Test Command

AT+CNMA=?

Response(s)

+CNMA: (list of supported <n>s)

OK

Exec Command

AT+CNMA

Response(s)

OK

ERROR

+CMS ERROR

Write Command

AT+CNMA=<n>

Response(s)

OK

ERROR

+CMS ERROR

PIN ASC0 MUX1 MUX2 MUX3

● ● ● ● ●

Reference(s)

GSM 07.05

Command Description

The write / execute command confirms successful receipt of a new message (SMS-DELIVER or SMS-STATUS-REPORT) routed directly to the TE. TA shall not send another +CMT or +CDS result code to TE until previous one is acknowledged. If ME does not receive acknowledgment within required time (network time-out), ME sends RP-ERROR to the network. TA shall automatically disable routing to TE by setting both <mt> and <ds> values of AT+CNMI to zero.

Parameter Description

<n>^(num)

0

Parameter is only required for PDU mode. Command operates similarly as in text mode

Notes

- The execute / write command shall only be used when `AT+CSMS` parameter `<service>` equals 1 (= phase 2+).
- Both the execute and the write command can be used no matter whether text mode or PDU mode is activated.

12.11 AT+CNMI New SMS message indications

Syntax

Test Command

AT+CNMI=?

Response(s)

+CNMI: (list of supported<mode>s), (list of supported<mt>s), (list of supported<bm>s), (list of supported<ds>s), (list of supported<bfr>s)
OK

Read Command

AT+CNMI?

Response(s)

+CNMI: <mode>, <mt>, <bm>, <ds>, <bfr>
OK

Write Command

AT+CNMI=[<mode>][, <mt>][, <bm>][, <ds>][, <bfr>]

Response(s)

OK
ERROR
+CMS ERROR

PIN	ASC0	MUX1	MUX2	MUX3
●	●	●	●	●

Reference(s)

GSM 07.05

Unsolicited Result Codes

URC 1

<mt>=1:

+CMTI: <mem3>, <index>

Indicates that new message has been received

URC 2

<mt>=2 (PDU mode enabled):

+CMT: <length><CR><LF><pdu>

Indicates that new message has been received

URC 3

<mt>=2 (text mode enabled):

+CMT: <oa>, <scts>[, <tooa>, <fo>, <pid>, <dcs>, <sca>, <tosca>, <length>]<CR><LF><data>

Indicates that new message has been received

URC 4

<bm>=2 (PDU mode enabled):

+CBM: <length><CR><LF><pdu>

Indicates that new cell broadcast message has been received

URC 5

<bm>=2 (text mode enabled):

+CBM: <sn>, <mid>, <dcs>, <page>, <pages><CR><LF><data>

Indicates that new cell broadcast message has been received

URC 6

<ds>=1 (PDU mode enabled):

+CDS: <length><CR><LF><pdu>

Indicates that new SMS status report has been received

URC 7

<ds>=1 (text mode enabled):

+CDS: <fo>, <mr>[, <ra>][, <tora>], <scts>, <dt>, <st>

Indicates that new SMS status report has been received

URC 8

<ds>=2:

+CDSI: <mem3>, <index>

Indicates that new SMS status report has been received

Command Description

The write command selects the procedure how the receipt of new SMS messages from the network is indicated to the TE when TE is active, e.g. DTR signal is ON. If TE is inactive (e.g. DTR signal is OFF), message receiving should be done as specified in GSM 03.38. If the DTR signal is not available or the state of the signal is ignored (V.25ter command AT&D0, reliable message transfer can be assured by using AT+CNMA acknowledgment procedure. The rules <mt>=2 and <mt>=3 for storing received SM are possible only if phase 2+ compatibility is activated with AT+CSMS=1. The parameter <ds>=1 is only available in phase 2+

Parameter Description

<mode> ^{(num)&(W)&(V)}	
[0] ^{&(F)}	Buffer unsolicited result codes in the TA. If TA result code buffer is full, indications can be buffered in some other place or the oldest indications may be discarded and replaced with the new received indications.
1	Discard indication and reject new received message unsolicited result codes when TA-TE link is reserved (e.g. in on-line data mode). Otherwise forward them directly to the TE.

- | | |
|---|--|
| 2 | Buffer unsolicited result codes in the TA when TA-TE link is reserved (e.g. in on-line data mode) and flush them to the TE after reservation. Otherwise forward them directly to the TE. |
| 3 | Forward unsolicited result codes directly to the TE. TA-TE link specific inband technique used to embed result codes and data when TA is in on-line data mode. |

`<mt>`^{(num)(&W)(&V)}

Rules for storing received SMS depend on the relevant data coding method (refer to GSM 03.38), preferred memory storage ([AT+CPMS](#)) setting and this value.

Note: If AT command interface is acting as the only display device, the ME must support storage of class 0 messages and messages in the message waiting indication group (discard message)

- | | |
|--------------------------------------|---|
| <code>[0]</code> ^(&F) | No SMS-DELIVER indications are routed to the TE. |
| 1 | If SMS-DELIVER is stored in ME/TA, indication of the memory location is routed to the TE using unsolicited result code. |
| 2 | SMS-DELIVERs, except class 2 messages and messages in the message waiting indication group (store message) are routed directly to the TE using unsolicited result code. |
| 3 | Class 3 SMS-DELIVERs are routed directly to the TE using unsolicited result codes defined in <code><mt>=2</code> . Messages of other data coding schemes result in indication as defined in <code><mt>=1</code> . |

`<bm>`^{(num)(&W)(&V)}

Rules for storing received CBMs depend on the relevant data coding method (refer to GSM 03.38), the setting of Select CBM Types ([AT+CSCB](#)) and this value:

- | | |
|--------------------------------------|--|
| <code>[0]</code> ^(&F) | No CBM indications are routed to the TE. |
| 2 | New CBMs are routed directly to the TE using unsolicited result code. |
| 3 | Class 3 CBMs are routed directly to TE using unsolicited result codes defined in <code><bm>=2</code> . |

`<ds>`^{(num)(&W)(&V)}

- | | |
|--------------------------------------|---|
| <code>[0]</code> ^(&F) | No SMS-STATUS-REPORTs are routed to the TE. |
| 1 | SMS-STATUS-REPORTs are routed to the TE using unsolicited result code. |
| 2 | If SMS-STATUS-REPORT is routed into ME/TA, indication of the memory location is routed to the TE using unsolicited result code. |

`<bfr>`^{(num)(&W)(&V)}

- | | |
|--------------------------------------|---|
| <code>[1]</code> ^(&F) | TA buffer of unsolicited result codes defined within this command is cleared when <code><mode> 1...3</code> is entered. |
|--------------------------------------|---|

`<index>`^(num)

integer type; value in the range of location numbers supported by the associated memory

Notes

- Each time an SMS or Cell Broadcast Message is received, the Ring Line goes Logic "1" for one second.

- Parameters `<mt>=2,3` and `<ds>=1` are only available with GSM phase 2+ (see `AT+CSMS=1`). Incoming SMS or Status Reports have to be acknowledged with `AT+CNMA=0` when using these phase 2+ parameters.
- If the ME operates on different instances (MUX channels 1, 2, 3) avoid different settings for routing and indicating SMS. For example, if messages shall be routed directly to one instance of the TE (set with `AT+CNMI`, `AT^SSDA`), it is not possible to activate the presentation of URCs with `AT+CMER` or `AT+CNMI` on another instance. Any attempt to activate settings that conflict with existing settings on another interface, will result in CME ERROR, or accordingly CMS ERROR.
- Handling of Class 0 short messages: If the host application is provided with a display and `AT^SSDA=1` has been set Class 0 short messages can be displayed immediately. If the host application does not include a display, ME handles Class 0 short messages as though there was no message class, i.e. it will ignore bits 0 and 1 in the `<dc>` and normal rules for exceeded memory capacity shall apply. This approach is compliant with GSM 03.38 .
- The parameters `<ra>` and `<tor>` will only be displayed if `<ra>` of the `AT^SSCONF` command is set to 1.
- If either a SM or a Status Report is not acknowledged, all `AT+CNMI` parameter in all channels will be set to zero.

12.12 AT+CPMS Preferred SMS message storage

Syntax

Test Command

AT+CPMS=?

Response(s)

+CPMS: (list of supported <mem1>s), (list of supported <mem2>s), (list of supported <mem3>s)
OK

Read Command

AT+CPMS?

Response(s)

+CPMS: <mem1>, <used1>, <total1>, <mem2>, <used2>, <total2>, <mem3>, <used3>, <total3>
OK
ERROR
ERROR
+CMS ERROR

Write Command

AT+CPMS=<mem1>[, <mem2>[, <mem3>]]

Response(s)

+CPMS: <used1>, <total1>, <used2>, <total2>, <used3>, <total3>
OK
ERROR
ERROR
+CMS ERROR

PIN	ASC0	MUX1	MUX2	MUX3
●	●	●	●	●

Reference(s)

GSM 07.05

Command Description

The write command selects memory storages <mem1>, <mem2>, <mem3> to be used for reading, writing, etc.

Parameter Description

<used1>^(num)

Number of messages currently in <mem1>

<used2>^(num)

Number of messages currently in <mem2>

<used3>^(num)

Number of messages currently in <mem3>

<total1>^(num)

Number of messages storable in <mem1>

<total2>^(num)

Number of messages storable in <mem2>

<total3>^(num)

Number of messages storable in <mem3>

Notes

- The Mobile Equipment storage "ME" offers space for 25 short messages, see <mem1>.
- "MT" is the sum of "ME" (= 25 locations) and "SM" (capacity varies with SIM card). The indices <index> of the "MT" storage are dependent on the order selected with AT^SSMSS
- The <mem1>, <mem2> and <mem3> parameter will be stored in non-volatile memory.
- The user should be aware that the setting "MT" involves "ME" and "SM", with "ME" being filled up first. If the "ME" storage is full, MC35i will proceed with the "SM" storage.
Incoming Class 1 short messages (ME specific) will be preferably stored to "ME" and may be transferred to the "SM" storage if "ME" is used up.
Incoming Class 2 messages (SIM specific) will be stored to the SIM card only, no matter whether or not there is free "ME" space. As a result, the ^SMGO: 2 indication (see AT^SMGO) may be presented without prior indication of ^SMGO: 1. For more information regarding SIM and ME specific message classes refer to <dcs> and the following specifications: GSM 03.38 and 3GPP TS23038.
- When <mem3> is switched over from "MT" to "SM" all free "ME" locations will be filled with dummy short messages. This procedure can take up to 35 seconds, until all the 25 records are written.
If switching from "MT" to "SM" was not finished due to error or user break, the value of <mem3> remains "MT", but some of the dummy records remain in the "ME" storage. These records have to be deleted manually.
When <mem3> equals "SM", do not delete the dummy messages in the "ME" storage. They will be automatically deleted when you switch back from "SM" to "MT". Again, this may take up to 35 seconds.
If switching from "SM" to "MT" was not finished due to an error or user break, the value of <mem3> remains "SM", but the "ME" storage will no longer be filled with dummy records. New incoming short messages may now be written to the "ME" storage, if "SM" is already full. To avoid this, repeat the AT+CPMS command as soon as possible to switch <mem3> back to "MT". As an alternative, you can manually delete the dummy records and issue AT+CPMS=MT,MT,MT.
- While <mem3> equals "SM" and <mem1> equals "ME" it is possible that, after deleting short messages from "ME", the freed space on "ME" is reclaimed for new incoming short messages, when there is no space left on the "SM" storage. As it is often the clients concern to have received short messages stored only to the SIM card, inconsistent settings should be generally avoided. This can be achieved simply by using the same parameter for all memory indices.
- The indices <index> of the storage are dependent on the order selected with AT^SSMSS.

12.13 AT+CSCA SMS service centre address

Syntax

Test Command

```
AT+CSCA=?
```

Response(s)

```
OK
```

Read Command

```
AT+CSCA?
```

Response(s)

```
+CSCA: <sca>, <tosca>
```

```
OK
```

Write Command

```
AT+CSCA=<sca>[, <tosca>]
```

Response(s)

```
OK
```

PIN	ASC0	MUX1	MUX2	MUX3
●	●	●	●	●

Reference(s)

```
GSM 07.05
```

Command Description

Write command updates the SMSC address, through which mobile originated SMs are transmitted. In text mode, setting is used by send and write commands. In PDU mode, setting is used by the same commands, but only when the length of the SMSC address coded into `<pdu>` parameter equals zero.

Notes

- In case of using no parameter after AT+CSCA= the content of `<sca>` will be deleted
- This command writes the service centre address to non-volatile memo
- The SMS service centre address should be entered as specified by the service provider

12.14 AT+CSCB Select Cell Broadcast Message Indication

Syntax

Test Command

```
AT+CSCB=?
```

Response(s)

```
+CSCB: (list of supported <mode>s)  
OK
```

Read Command

```
AT+CSCB?
```

Response(s)

```
+CSCB: <mode>, <mids>, <dcss>  
OK
```

Write Command

```
AT+CSCB=[<mode>[, <mids>[, <dcss>]]]
```

Response(s)

```
OK
```

PIN	ASC0	MUX1	MUX2	MUX3
●	●	●	●	●

Reference(s)

```
GSM 07.05
```

Command Description

Test command returns supported modes as a compound value.

Write command selects which types of CBMs are to be received by the ME.

Parameter Description

<mode>^(num)

Message mode

[0] Accept messages that are defined in <mids> and <dcss>

1 Forbid messages that are defined in <mids> and <dcss>

<mids>^(str)

Cell Broadcast Message ID specification

- For `<mode>=0`: Six different possible combinations of CBM IDs (e.g. "0,1,5,320-478,922,2000-3000"), default is empty string.
In certain configurations, e.g. if using SIMs that contain data in Elementary File EF-CBMID (Cell Broadcast Message Identifier for Data download) less than six combinations may be available.
To access a SIM's Elementary File data refer to command [AT+CRSM](#).
- For `<mode>=1`: One CBM ID or range of IDs (e.g. "320-478"), default is empty string.

`<dcss>`^(str)

CBM data coding scheme specification

All different possible combinations of CBM data coding schemes (e.g. "0-3,5"). Using default empty string leads to get all CBMs independent of their dcss.

A given `<dcss>` replaces any former value and is used for consecutive requests.

12.15 AT+CSDH Show SMS text mode parameters

Syntax

Test Command

AT+CSDH=?

Response(s)

+CSDH: ((list of supported <show>s)
OK

Read Command

AT+CSDH?

Response(s)

+CSDH: <show>
OK

Write Command

AT+CSDH=<show>

Response(s)

+CSDH: <show>
OK

PIN	ASC0	MUX1	MUX2	MUX3
●	●	●	●	●

Reference(s)

GSM 07.05

Command Description

Write command sets whether or not detailed header information is shown in text mode result codes.

Parameter Description

<show>^{(num)(&W)}

[0]^(&F)

Do not show header values defined in commands [AT+CSCA](#) and [AT+CSMP](#) (<sca>, <tosca>, <fo>, <vp>, <pid> and <dcs>) nor <length>, <toda> or <tooa> in "+CMTI", [AT+CMGL](#), [AT+CMGR](#) result codes for SMS-DELIVERs and SMS-SUBMITs in text mode; for SMS-COMMANDs in +CMGR result code, do not show <pid>, <mn>, <da>, <toda>, <length> or <cdata>

1

Show the values in result codes

12.16 AT+CSMP Set SMS text mode parameters

Syntax

Test Command

```
AT+CSMP=?
```

Response(s)

```
OK
```

Read Command

```
AT+CSMP?
```

Response(s)

```
+CSMP: <fo>, <vp>/ <scts>, <pid>, <dc>
```

```
OK
```

Write Command

```
AT+CSMP=<fo>[, <vp>/<scts>[, <pid>[, <dc>]]]
```

Response(s)

```
+CSMP: <index>
```

```
OK
```

If sending fails

```
ERROR
```

```
+CMS ERROR
```

PIN	ASC0	MUX1	MUX2	MUX3
●	●	●	●	●

Reference(s)

```
GSM 07.05
```

Command Description

The write command selects values for additional parameters needed when SM is sent to the network or placed in a storage when text format message mode is selected.

It is possible to set the validity period starting from when the SM is received by the SMSC (<vp> is in range 0...255) or define the absolute time of the validity period termination (<vp> is a string). The format of <vp> is given by <fo>. If TA supports the enhanced validity period format, see GSM 03.40), it shall be given as a hexadecimal coded string (e.g. <pdu>) with quotes.

Parameter Description

<fo>^(num)

First Octet

depending on the command or result code: first octet of GSM 03.40 SMS-DELIVER, SMS-SUBMIT (default 17), SMS-STATUS-REPORT, or SMS-COMMAND (default 2) in integer format

0...17^(&F)...255

<vp>^(num)

Depending on SMS-SUBMIT <fo> setting: GSM 03.40 TP-Validity-Period either in integer format or in time-string format (refer <dt>)

0...167^(&F)...255

<dcs>^(num)

Data Coding Scheme

GSM 03.38 SMS Data Coding Scheme, or Cell Broadcast Data Coding Scheme in integer format

0^(&F)...247

<pid>^(num)

Protocol Identifier

GSM 03.40 TP-Protocol-Identifier in integer format

0^(&F)...255

Notes

- When storing a SMS DELIVER from the TE to the preferred memory storage in text mode (using the [AT+CMGW](#) write command), <vp> field can be used for <scts>.
- The command writes the parameters to the non-volatile memory.

12.17 AT+CSMS Select Message Service

Syntax

Test Command

AT+CSMS=?

Response(s)

+CSMS: (list of supported<service>s)
OK

Read Command

AT+CSMS?

Response(s)

+CSMS: <service>, <mt>, <mo>, <bm>
OK

Write Command

AT+CSMS=<service>

Response(s)

+CSMS: <mt>, <mo>, <bm>
OK
ERROR
+CMS ERROR

PIN	ASC0	MUX1	MUX2	MUX3
●	●	●	●	●

Reference(s)

GSM 07.05

Parameter Description

<service>^(num)

0	GSM 03.40 and GSM 03.41 (the syntax of SMS AT commands is compatible with GSM 07.05 Phase 2 version 4.7.0; Phase 2+ features which do not require new command syntax may be supported, e.g. correct routing of messages with new Phase 2+ data coding schemes)
1	GSM 03.40 and GSM 03.41 (the syntax of SMS AT commands is compatible with GSM 07.05 Phase 2+ version; the requirement of <service> setting 1 is mentioned under corresponding command descriptions).

<mt>^(num)

Mobile Terminated Messages:

0	Type not supported
1	Type supported

<mo>^(num)

Mobile Originated Messages:

0	Type not supported
1	Type supported

<bm>^(num)

Broadcast Type Messages:

0	Type not supported
1	Type supported

Notes

- If CSMS mode is switched from Phase 2+ to Phase 2 and one or more [AT+CNMI](#) Parameter are Phase 2+ specific a '+CMS ERROR: unknown error' will appear. It is recommended to switch the [AT+CNMI](#) Parameters to Phase 2 specific values before entering Phase 2.
- Phase 2+ (<service>=1) must be set before the following features can be used:
 - Configuring procedures for indicating received short messages with the [AT+CNMI](#) parameters <mt>=2 or <mt>=3 and <ds>=1.
 - Acknowledging incoming short messages with [AT+CNMA](#).
 - Receiving Status Reports and acknowledging them with [AT+CNMA](#).

12.18 AT^SLMS List SMS Memory Storage

Syntax

Test Command

```
AT^SLMS=?
```

Response(s)

```
OK
```

Exec Command

```
AT^SLMS
```

Response(s)

```
^SLMS: "MT",<total3>, <used3>
```

```
^SLMS: "SM",<total1>, <used1>
```

```
^SLMS: "ME",<total2>, <used2>
```

```
OK
```

```
ERROR
```

```
+CMS ERROR
```

PIN	ASC0	MUX1	MUX2	MUX3
●	●	●	●	●

Reference(s)

SIEMENS

Command Description

The execute command indicates the maximum capacity of each SMS storage type and the number of locations currently used.

Parameter Description

<total1>^(num)

Maximum number of messages storable in the SMS memory of the SIM (physical storage "SM")

<total2>^(num)

Maximum number of messages storable in the SMS memory of the Mobile Equipment (physical storage "ME")

<total3>^(num)

Sum of "SM" and "ME", indicated as "MT". Maximum number of all messages storable in the SIM memory and the Mobile Equipment memory.

<used1>^(num)

Number of messages currently stored in the SMS memory of the SIM (physical storage "SM")

<used2>^(num)

Number of messages currently stored in the SMS memory of the Mobile Equipment (physical storage "ME")

<used3>^(num)

Concatenated logical SMS storages of SIM ("SM") and Mobile Equipment ("ME"). Sum of all messages currently stored, indicated as "MT".

12.19 AT^SMGL List SMS messages from preferred store without setting status to REC READ

Syntax

Test Command

AT^SMGL=?

Response(s)

same as [AT+CMGL](#)

Exec Command

AT^SMGL

Response(s)

^SMGL: (For default values of <stat>, see Chapter "[SMS parameters](#).)

OK

Write Command

AT^SMGL=<stat>

Response(s)

same as [AT+CMGL](#)

PIN	ASC0	MUX1	MUX2	MUX3
●	●	●	●	●

Reference(s)

SIEMENS

Command Description

The execute command is the same as the write command, but uses the given default of <stat>.

The write command allows to select a status type and lists, from the message storage <mem1>, all messages that currently have the specified <stat>. The major difference over the standard command [AT+CMGL](#) is that the status of the listed messages remains unchanged (unread remains unread).

Notes

- The selected <mem1> can contain different types of SMS (e.g. SMS-DELIVERs, SMS-SUBMITs, SMS-STATUS-REPORTs and SMS-COMMANDs), the response may be a mix of the responses of different SM types. TE application can recognize the response format by examining the third response parameter.
- This command can be used only after the SMS data from the SIM have been read successfully for the first time. Reading starts after successful SIM authentication has been performed, and may take up to 30 seconds depending on the SIM used. While the read process is in progress, an attempt to use any of the sms read commands will result in "+CME Error: 14" (SIM busy)

- We recommend to take advantage of the "^SSIM READY" URC. If enabled with [AT^SSET](#), this URC acknowledges to the user that SIM data is accessible after SIM PIN authentication. It will be delivered once the ME has completed reading data from the SIM card.

12.20 AT^SMGO Set or query SMS overflow presentation mode or query SMS overflow

Syntax

Test Command

```
AT^SMGO=?
```

Response(s)

```
^SMGO: (list of supported<n>s)  
OK
```

Read Command

```
AT^SMGO?
```

Response(s)

```
^SMGO: <n>, <mode>  
OK  
ERROR  
+CMS ERROR
```

Write Command

```
AT^SMGO=<n>
```

Response(s)

```
OK  
ERROR  
CME ERROR
```

PIN	ASC0	MUX1	MUX2	MUX3
●	●	●	●	●

Reference(s)

SIEMENS

Unsolicited Result Code

SMS buffer change:

```
^SMGO: <mode>
```

Status of SMS buffer has changed.

Command Description

The read command returns overflow presentation mode and SMS overflow status

The write command sets overflow presentation mode

Parameter Description

<n>^{(num)(&W)(&V)}

SMS overflow presentation mode

[0] ^(&F)	disable
1	enable

<mode>^{(num)(&V)}

SMS overflow status

0	space available
1	SMS buffer full (The buffer for received short messages is <mem3>. See AT+CPMS.)
2	Buffer full and new message waiting in SC for delivery to phone

Notes

- Incoming short messages with message class 1 (ME specific short messages) or class 2 (SM specific short messages), see <dc> in GSM 03.38, will be stored either in "ME" or in "SM" storage. Therefore the "^SMGO: 2" indication could occur, without issuing the indication "^SMGO: 1" before. The indication "^SMGO: 1" means that both buffers ("ME" and "SM") are full.
- For more information regarding SIM and ME specific message classes refer to <dc> and the following specifications: GSM 03.38 and 3GPP TS 23.038 .

12.21 AT^SMGR Read SMS message without setting status to REC READ

Syntax

Test Command

```
AT^SMGR=?
```

Response(s)

```
^SMGR :  
OK
```

Write Command

```
AT^SMGR=<index>
```

Response(s)

```
see AT+CMGR
```

PIN	ASC0	MUX1	MUX2	MUX3
●	●	●	●	●

Reference(s)

SIEMENS

Notes

- The [AT^SMGR](#) command is a specific Siemens command with the same syntax as [AT+CMGR](#) Read SMS message. The only difference is that the status "REC UNREAD" of a short message is not overwritten to "REC READ".
- This command can be used only after the sms data from the SIM have been read successfully for the first time. Reading starts after successful SIM authentication has been performed, and may take up to 30 seconds depending on the SIM used. While the read process is in progress, an attempt to use any of the sms read commands will result in "+CME Error: 14" (SIM busy)
- We recommend to take advantage of the "^SSIM READY" URC. If enabled with [AT^SSET](#), this URC acknowledges to the user that SIM data is accessible after SIM PIN authentication. It will be delivered once the ME has completed reading data from the SIM card.

12.22 AT^SSCONF SMS Command Configuration

[AT^SSCONF](#) controls details of some SMS related commands. Please note that [AT^SSCONF](#) settings are stored volatile, i.e. after restart or reset the default values will be restored.

Syntax

Test Command

```
AT^SSCONF=?
```

Response(s)

```
^SSCONF : list of supported <ra>s  
OK
```

Read Command

```
AT^SSCONF?
```

Response(s)

```
^SSCONF : <ra>  
OK
```

Write Command

```
AT^SSCONF=<ra>
```

Response(s)

```
OK
```

PIN	ASC0	MUX1	MUX2	MUX3
<input type="radio"/>	<input checked="" type="radio"/>	<input checked="" type="radio"/>	<input checked="" type="radio"/>	<input checked="" type="radio"/>

Parameter Description

<ra>^(num)

Display recipient address

[0]^(&F)

MC35i does not display <ra> and <tora>. These parameters are used with the result codes of [AT+CMGL](#), [AT^SMGL](#), [AT+CMGR](#), [AT^SMGR](#) and the URC "+CDS".

1

MC35i displays <ra> and <tora>.

12.23 AT^SSDA Set SMS Display Availability

This command allows to notify the MC35i of its controlling application's capability to immediately display incoming SMS on a display.

If the application is able to display incoming SMS, class 0 SMS shall be displayed immediately. However, if it does not, class 0 SMS shall be treated as if no message class is determined (GSM 03.38[17]).

The effect of this command if `<da>=1` is to determine the behavior of parameter `<mt>` of `AT+CNMI`:

If `<da>=1` and `<mt>=1` incoming class 0 SMS need to be acknowledged with `AT+CNMA` (see also `AT+CNMI` and `AT+CSMS`)

If multiplex mode is enabled (`AT+CMUX`) and `<da>=1` with `<mt>=1` is set on any logical channel, all other channels have to use `<mt>=0`.

Syntax

Test Command

```
AT^SSDA=?
```

Response(s)

```
^SSDA: list of supported <da>s  
OK
```

Read Command

```
AT^SSDA?
```

Response(s)

```
^SSDA: <da>  
OK
```

Write Command

```
AT^SSDA=<da>
```

Response(s)

```
OK
```

PIN	ASC0	MUX1	MUX2	MUX3
<input type="radio"/>	<input checked="" type="radio"/>	<input checked="" type="radio"/>	<input checked="" type="radio"/>	<input checked="" type="radio"/>

Reference(s)

SIEMENS

Command Description

The read command returns ME's current capability setting.

Parameter Description

<da>^(num)

Display Availability

0(&F)	Application is not able to display incoming SMS
1	Application is able to display incoming SMS

Note

- If the ME operates on different instances (MUX channels 1, 2, 3) avoid different settings for routing and indicating SMS. For example, if messages shall be routed directly to one instance of the TE (set with [AT+CNMI](#), [AT^SSDA](#)), it is not possible to activate the presentation of URCs with [AT+CMER](#) or [AT+CNMI](#) on another instance. Any attempt to activate settings that conflict with existing settings on another interface, will result in CME ERROR, or accordingly CMS ERROR.

12.24 AT^SSMSS Set Short Message Storage Sequence

Syntax

Test Command

```
AT^SSMSS=?
```

Response(s)

```
^SSMSS: (list of supported) <seq>s
```

Read Command

```
AT^SSMSS?
```

Response(s)

```
^SSMSS: <seq>
```

```
OK
```

Write Command

```
AT^SSMSS=<seq>
```

Response(s)

```
OK
```

PIN	ASC0	MUX1	MUX2	MUX3
<input type="radio"/>	<input checked="" type="radio"/>	<input checked="" type="radio"/>	<input checked="" type="radio"/>	<input checked="" type="radio"/>

Reference(s)

SIEMENS

Command Description

The short message storage "MT" (see [AT+CPMS](#)) is a logical storage. It consists of two physical storages "ME" and "SM". This command allows to select the sequence of addressing this storage.

Parameter Description

<seq>^(num)

MT sequence

0(&F) "MT" storage is "ME" then "SM"

1 "MT" storage is "SM" then "ME"

Note

- Access to the SIM storage is faster. For compatibility with previous software re-leases, the "MT" sequence <seq>=0 is the factory default.

13. SIM related Commands

The AT Commands described in this chapter are related to the Subscriber Identity Modul (SIM) connected to the MC35i.

13.1 AT+CRSM Restricted SIM Access

AT+CRSM allows the TE to access the Elementary Files on the SIM. Access to the SIM database is restricted to the commands which are listed at [<command>](#).

All parameters of **AT+CRSM** are used as specified by GSM 11.11 [21].

As response to the command the MC35i sends the current SIM information parameters and response data. Error result code "+CME ERROR" may be returned if the command cannot be passed to the SIM, e.g. if the SIM is not inserted. However, errors related to SIM data are reported in [<sw1>](#) and [<sw2>](#) parameters as defined in GSM 11.11 [21].

AT+CRSM requires PIN authentication. However, using [<command>](#) "READ BINARY" and [<command>](#) "READ RECORD" is possible before PIN authentication and if the SIM is blocked (state after three failed PIN authentication attempts) to access the contents of the following Elementary Files:

EF Symbol	EF Name	EF ID (hex.)	EF ID (dec.)
EF _{ICCID}	ICC identification	2FE2	12258
EF _{ELP}	Extended language preference	2F05	12037
EF _{LP}	Language preference	6F05	28421
EF _{SPN}	Service provider name	6F46	28486
EF _{AD}	Administrative data	6FAD	28589
EF _{Phase}	Phase identification	6FAE	28590
EF _{ECC}	Emergency call codes	6FB7	28599

Syntax

Test Command

```
AT+CRSM=?
```

Response(s)

```
OK
```

Write Command

```
AT+CRSM=<command>[, <fileID>[, <P1>, <P2>, <P3>[, <data>]]]
```

Response(s)

```
+CRSM: <sw1>,<sw1>,<response>
```

```
OK
```


Write Command

(Continued)

AT+CRSM=<command>[, <fileID>[, <P1>, <P2>, <P3>[, <data>]]]

Response(s)

ERROR
+CME ERROR: <err>

PIN ASC0 MUX1 MUX2 MUX3



Reference(s)

GSM 07.07

Parameter Description

<command>^(num)

SIM command number.

176	READ BINARY
178	READ RECORD
192	GET RESPONSE
214	UPDATE BINARY
220	UPDATE RECORD
242	STATUS

<fileID>^(num)

Identifier for an elementary data file on SIM, if used by <command>.

<P1>^(num)

Parameter to be passed on by the MC35i to the SIM.

0...255

<P2>^(num)

Parameter to be passed on by the MC35i to the SIM.

0...255

<P3>^(num)

Parameter to be passed on by the MC35i to the SIM.

0...255

<data>^(str)

Information which shall be written to the SIM (hexadecimal character format).

<sw1>^(num)

Status information from the SIM about the execution of the actual command. It is returned in both cases, on successful or failed execution of the command.

0...255

<sw2>^(num)

Status information from the SIM about the execution of the actual command. It is returned in both cases, on successful or failed execution of the command.

0...255

<response>^(str)

Response data in case of a successful completion of the previously issued command.

"STATUS" and "GET RESPONSE" commands return data, which gives information about the currently selected elementary data field. This information includes the type of file and its size.

After "READ BINARY" or "READ RECORD" commands the requested data will be returned.

<response> is empty after "UPDATE BINARY" or "UPDATE RECORD" commands.

13.2 AT^SCKS Query SIM and Chip Card Holder Status

This command controls the SIM connection presentation mode and queries the connection status of the SIM and the card holder tray of the MC35i.

Syntax

Test Command

```
AT^SCKS=?
```

Response(s)

```
^SCKS: (list of supported <mode>s)  
OK
```

Read Command

```
AT^SCKS?
```

Response(s)

```
^SCKS: <mode>, <SimStatus>  
OK  
ERROR  
+CME ERROR: <err>
```

Write Command

```
AT^SCKS=<mode>
```

Response(s)

```
OK  
ERROR  
+CME ERROR: <err>
```

PIN	ASC0	MUX1	MUX2	MUX3
<input type="radio"/>	<input checked="" type="radio"/>	<input checked="" type="radio"/>	<input checked="" type="radio"/>	<input checked="" type="radio"/>

Reference(s)

SIEMENS

Unsolicited Result Code

```
^SCKS: <SimStatus>
```

During startup, and if the MC35i's SIM connection status has changed an unsolicited result code (URC) is issued.

Command Description

The read command returns the URC presentation mode and the status of the SIM card connection.

The write command enables or disables the presentation of URCs to report whether or not the SIM card is connected.

If the ME is powered down or reset ([AT+CFUN](#) or [AT^SMSO](#)) the current presentation mode setting `<mode>` will not be retained. Therefore the setting `<mode>=1` needs to be restored after power on the MC35i or may be saved in the user profile ([AT&W](#)).

Parameter Description

<code><mode></code> ^{(num)(&W)(&V)}	
0 ^(&F)	Suppress unsolicited result codes
1	Output unsolicited result codes

<code><SimStatus></code> ^{(num)(&V)}	
0	Card holder tray removed or SIM connection error
1	SIM inserted(refer to note)
2	The SIM interface HW has been deactivated to prevent possible damage (e.g. if a SIM with invalid or unsupported electrical specifications has been detected). The SIM interface can be reactivated only with a restart of the module, e.g. with " AT+CFUN= n,1 ".

Note

- `<SimStatus>` reflects the status of the SIM and the card holder tray. Therefore if an empty SIM card tray is inserted, two URCs will be presented, indicating the status 1 followed by 0, i.e. a SIM is inserted into the card holder tray but no SIM connection could be established.

Example

<code>AT^SCKS=1</code>	Activates the presentation of unsolicited result codes
<code>OK</code>	

Now, after inserting an empty card tray the following URCs appear:

<code>^SCKS: 1</code>	Tray connected
<code>^SCKS: 0</code>	No SIM card found

13.3 AT^SSET Indicate SIM data ready

After power on and personalization (PIN entry if required) the ME starts reading data from SIM. With this command it is possible to enable URC "[^SSIM READY](#)" indication on the corresponding serial channel when this process has been completed. Afterwards all commands that depends on SIM data fields can be used, e.g. the SMS and phone book commands.

[AT^SSET](#) setting is storable via [AT+W](#).

Syntax

Test Command

```
AT^SSET=?
```

Response(s)

```
^SSET: (list of supported <n>s)  
OK
```

Read Command

```
AT^SSET?
```

Response(s)

```
^SSET: <n>  
OK  
ERROR  
+CME ERROR: <err>
```

Write Command

```
AT^SSET=[<n>]
```

Response(s)

```
OK  
ERROR  
+CME ERROR: <err>
```

PIN	ASC0	MUX1	MUX2	MUX3
<input type="radio"/>	<input checked="" type="radio"/>	<input checked="" type="radio"/>	<input checked="" type="radio"/>	<input checked="" type="radio"/>

Reference(s)

SIEMENS

Unsolicited Result Code

```
^SSIM READY
```

The URC acknowledges to the user that SIM data is accessible. Before that, any attempt to access one of the phonebooks, view SMS or access SIM data will result in "+CME ERROR: 14" (SIM busy).

Parameter Description

<n> (num)(&W)(&V)

SIM ready presentation mode

0(&F)

disable URC "^SSIM READY" indication.

1

enable URC "^SSIM READY" indication.

13.4 AT^SCID Display SIM card identification number

Syntax

Test Command

```
AT^SCID=?
```

Response(s)

```
OK
```

Exec Command

```
AT^SCID
```

Response(s)

```
^SCID: <cid>
```

```
OK
```

```
ERROR
```

```
+CME ERROR: <err>
```

PIN	ASC0	MUX1	MUX2	MUX3
<input type="radio"/>	<input checked="" type="radio"/>	<input checked="" type="radio"/>	<input checked="" type="radio"/>	<input checked="" type="radio"/>

Reference(s)

```
SIEMENS
```

Command Description

TA returns the card identification number in SIM (SIM file EF_{ICCID}, see GSM 11.11 Chap.10.1.1) as string type.

Parameter Description

<cid>^(str)

card identification number of SIM card

13.5 AT+CXXCID Display card ID

Syntax

Test Command

```
AT+CXXCID=?
```

Response(s)

```
OK
```

Exec Command

```
AT+CXXCID
```

Response(s)

```
+CXXCID: <cid>
```

```
OK
```

```
ERROR
```

```
+CME ERROR: <err>
```

PIN	ASC0	MUX1	MUX2	MUX3
<input type="radio"/>	<input checked="" type="radio"/>	<input checked="" type="radio"/>	<input checked="" type="radio"/>	<input checked="" type="radio"/>

Reference(s)

```
SIEMENS
```

Command Description

TA returns the card identification number in SIM (SIM file EF ICCID, see GSM 11.11 Chap.10.1.1) as string type.

Note

- See also: [AT^SCID](#).

14. SIM Application Toolkit (SAT) Commands

This chapter offers a brief reference of commands and responses related to the MC35i's SIM Application Toolkit (SAT) implementation. Detailed information is available with the document "Remote-SAT User Guide" [5]. Please contact the Wireless Modules Application Engineering Department at Siemens AG for details.

ETSI specification GSM 11.14 [22] defines SAT in detail.

SAT allows for the execution of applications provided by a Subscriber Identity Module (SIM). Usually SIM cards are used for storing GSM network provider and user specific data, e.g. phonebook entries and Short Messages (SMS). However, a SIM card may also hold a SIM Application.

Since the MC35i has SAT functionality it is able to execute the commands issued by applications implemented on a network provider specific SIM card.

Two groups of commands are used between the ME and the SIM Application:

- Proactive Commands are issued to the MC35i's SAT from the SIM Application, such as "DISPLAY TEXT".
- Envelope Commands are responded to the SIM Application from the MC35i, such as "MENU SELECTION".

14.1 AT^SSTA SAT Interface Activation

Syntax

Test Command

```
AT^SSTA=?
```

Response(s)

```
^SSTA: (list of supported <state>s), (list of supported <Alphabet>s)  
OK
```

Read Command

```
AT^SSTA?
```

Response(s)

```
^SSTA: <state>, <Alphabet>, <allowedInstance>, <SatProfile>  
OK
```

Write Command

```
AT^SSTA=<mode>[, <Alphabet>]
```

Response(s)

```
OK
```

PIN	ASC0	MUX1	MUX2	MUX3
<input type="radio"/>	<input checked="" type="radio"/>	<input checked="" type="radio"/>	<input checked="" type="radio"/>	<input checked="" type="radio"/>

Reference(s)

SIEMENS

Command Description

The read command can be used to request the current operating status and the used alphabet of the Remote-SAT interface.

The write command is used to activate the AT command interface of the SIM Application Toolkit in the MC35i and needs to be issued after every power on. However, removing and inserting the SIM does not affect the activation status.

SAT commands which are not using the AT interface (non MMI related SAT commands , e.g. PROVIDE LOCAL INFORMATION) could be executed without activating Remote-SAT.

Parameter Description

`<state>(num)`

MC35i Remote-SAT interface states

0	RESET
1	OFF
2	IDLE
3	PAC
4	WAIT

`<Alphabet>(num)`

0	GSM character set Input of a character requests one byte, e.g. "Y".
1	UCS2 To display the 16 bit value of characters represented in UCS2 alphabet a 4 byte string is required, e.g. "0059" is coding the character "Y". For details please refer to ISO/IEC 10646.

`<allowedInstance>(num)`

0	SAT is already used on another instance (logical channel in case of the multiplex protocol). Only test and read commands can be used.
1	SAT may be started on this instance via the write version of this command.

`<SatProfile>(str)`

SAT profile according to GSM 11.14 [22].
The profile tells the SIM Application which features (e.g. proactive commands) are supported by the SIM Application Toolkit implementation of the MC35i.

`<mode>(num)`

1	Activate Remote-SAT
---	---------------------

Note

- To limit the time Remote-SAT is kept in states PAC or WAIT any ongoing (but unanswered) Proactive Command is automatically aborted after 10 minutes with Terminal Response "ME currently unable to process command" or "No response from user" if applicable. An URC "Terminate Proactive Command" will be send to the external application in this case, too.

14.2 ^SSTN SAT Notification

Reference(s)

SIEMENS

Unsolicited Result Codes

URC 1

Proactive Command notification

^SSTN: <cmdType>

Every time the SIM Application issues a Proactive Command, via the ME, the TA will receive a notification. This indicates the type of Proactive Command issued.

[AT^SSTGI](#) must then be used by the TA to request the parameters of the Proactive Command from the ME. Upon receiving the ^SSTGI response from the ME, the TA must send [AT^SSTR](#) to confirm the execution of the Proactive Command and provide any required user response, e.g. a selected menu item.

URC 2

Terminate Proactive Command notification

^SSTN: <cmdTerminateValue>

When the SIM application has issued a Proactive Command to the ME, it is possible that this command will be terminated later. URC "[^SSTN](#)" is sent with a different Proactive Command type number (added terminate offset 100) to indicate the termination of the specified command.

The state changes to idle. Therefore the TA should avoid sending any further commands related to the terminated Proactive Command, e.g. [AT^SSTGI](#) or [AT^SSTR](#).

URC 3

Notification that SIM Application has returned to main menu

^SSTN: 254

Notification to the TA when the SIM Application has finished a command cycle and again enters its main menu, which was transferred with an URC "[^SSTN: 37](#)" (SET UP MENU) at start up.

This URC should be used to open this menu on the screen.

The TA does not need to respond directly, i.e. [AT^SSTR](#) is not required.

URC 4

SIM reset notification

^SSTN: 255

Notification to the TA if a Proactive Command "REFRESH - SIM Reset" has been issued by the SIM Application, please refer to [AT^SSTGI](#).

This URC should be used to set the TAs application to its initial state since the SIM Application will start from the beginning, too.

The TA does not need to respond directly, i.e. related [AT^SSTGI](#) and [AT^SSTR](#) are neither required nor allowed.

Since the ME is still busy on SIM access the ME may respond with "+CME ERROR: SIM blocked" or "+CME ERROR: SIM busy" on following PIN required AT Commands for a while. Then TA shall retry until the ME responds with "OK". The time needed for this process depends on the SIM and may take more than 10 seconds.

Parameter Description

<cmdType>^(num)

Proactive Command number

<cmdTerminateValue>^(num)

Defined as <cmdType> + terminate offset. The terminate offset equals 100.

14.3 AT^SSTGI SAT Get Information

Regularly this command is used upon receipt of an URC "[^SSTN](#)" to request the parameters of the Proactive Command.

Then the TA is expected to acknowledge the [AT^SSTGI](#) response with [AT^SSTR](#) to confirm that the Proactive Command has been executed. [AT^SSTR](#) will also provide any user information, e.g. a selected menu item. The Proactive Command type value specifies to which "[^SSTN](#)" the command is related.

Syntax

Test Command

AT^SSTGI=?

Response(s)

^SSTGI : (list of supported [<state>s](#)), (list of supported [<cmdType>s](#))
OK

Read Command

AT^SSTGI?

Response(s)

^SSTGI : [<state>](#), [<cmdType>](#)
OK

Write Command

AT^SSTGI=[<cmdType>](#)

Response(s)

OK

PIN	ASC0	MUX1	MUX2	MUX3
<input type="radio"/>	<input checked="" type="radio"/>	<input checked="" type="radio"/>	<input checked="" type="radio"/>	<input checked="" type="radio"/>

Reference(s)

SIEMENS

Parameter Description

[<state>](#)^(num)

MC35i Remote-SAT interface states

0	RESET
1	OFF
2	IDLE
3	PAC
4	WAIT

<cmdType>^(num)

Related Proactive Command

14.4 AT^SSTR SAT Response

The TA is expected to acknowledge the AT^SSTGI response with AT^SSTR to confirm that the Proactive Command has been executed.

AT^SSTR will also provide any user information, e.g. a selected menu item.

Syntax

Test Command

AT^SSTR=?

Response(s)

^SSTR: (list of supported <state>s), (list of supported <cmdType>s)
OK

Read Command

AT^SSTR?

Response(s)

^SSTR: <state>, <cmdType>
OK

Write Command

AT^SSTR=<cmdType>, <status>[, <inputNumber>][, <inputString>]

Response(s)

OK

PIN	ASC0	MUX1	MUX2	MUX3
<input type="radio"/>	<input checked="" type="radio"/>	<input checked="" type="radio"/>	<input checked="" type="radio"/>	<input checked="" type="radio"/>

Reference(s)

SIEMENS

Parameter Description

<state>^(num)

MC35i Remote-SAT interface states

0	RESET
1	OFF
2	IDLE
3	PAC
4	WAIT

<cmdType>^(num)

Number related to Proactive Command or event type according to GSM 11.14 [22].

<status>^(num)

Command status return regarding the type of action that has taken place, e.g. action performed by the user. Values are in accordance with GSM 11.14 [22].

<inputNumber>^(num)

Response number entered by user

<inputString>^(str)

Response string entered by user

15. Phonebook Commands

The AT Commands described in this chapter allow the external application to access the phonebooks located in the MC35i's memory or on the attached Subscriber Identity Modul (SIM).

15.1 Sort Order for Phonebooks

Due to the support of UCS2 for the `<text>` part of phonebook entries, the sort order for phonebook records follows the algorithm published as Unicode Technical Standard #10, "Unicode Collation Algorithm".

A memory-optimized version of the proposed collation tables "[AllKeys]" from Unicode Technical Standard #10 is used in order to determine collation weights for Code points between 0000 and 06FF, and composed keys are used for Code points from ranges 0700 to 33FF, A000 to D7FF and E000 to FFFD. Code Points not referenced in these tables will be assigned a default collation weight with their unicode value as level 1 weight. Decomposition is not supported.

Phonebook entries whose names contain only characters from the GSM07.07 default alphabet are converted internally into their UCS2 equivalents in order to achieve consistent sorting results.

For the user, this means that:

- Punctuation marks and other non-alphabetical characters from the common latin-based character sets, and from the standard GSM character set, will be sorted before any alphabetical characters. The ordering in which these marks appear as compared to other non-alphabetical characters from the same group is determined by their collation weights and does not reflect their code values in the UCS2 or GSM alphabet tables above. Please refer to www.unicode.org for detail.
- Alphabetical characters from the common latin-based character sets, and from the standard GSM character set, will be sorted according to their underlying base characters, plus the collation weights of their accent signs.
- Only collation levels 1 and 2 are regarded, so sorting is not case-sensitive.

Example: the european letters "Å" (GSM 0EH, UCS2 00C5h), "æ" (GSM 1DH, UCS2 00E6h), "ç" (GSM09h, UCS2 00E7h), "a" (GSM 61H, UCS2 0061h) and "b" (GSM 62H, UCS2 0062h) will be sorted in order "a", "Å", "æ" "b", "ç" although their numerical values in GSM and UCS2 suggest a different ordering.

Reference(s)

Unicode Technical Standard #10, "Unicode Collation Algorithm"

15.2 AT+CPBR Read from Phonebook

This command serves to read one or more entries from the phonebook selected with AT command [AT+CPBS](#). It can be used only after the phonebook's data has been read from the SIM successfully. Reading starts after successful SIM authentication has been performed and may take up to 30 seconds depending on the SIM used. While this read process is in progress, an attempt to use any of the phonebook commands will result in "+CME Error: SIM busy". To determine when the initial phonebook reading has been finished the URC "^SSIM READY" shall be used, refer [AT^SSET](#).

Syntax

Test Command

```
AT+CPBR=?
```

Response(s)

```
+CPBR: (1-<maxloc>), <nlength>, <tlength>  
OK  
+CME ERROR
```

Write Command

```
AT+CPBR=<location1>[, <location2>]
```

Response(s)

```
[+CPBR: <location1>, <number>, <type>, <text>]  
[+CPBR: <location2>, <number>, <type>, <text>]  
OK  
+CME ERROR
```

PIN	ASC0	MUX1	MUX2	MUX3
●	●	●	●	●

Reference(s)

GSM 07.07, GSM 11.11

Command Description

The test command returns the location range supported by the current phonebook storage, the maximum length of [<number>](#) field and the maximum length of [<text>](#) field. Note: Length information may not be available while SIM storage is selected. If storage does not offer format information, the format list contains empty parentheses.

The write command determines the phonebook entry to be displayed with [<location1>](#) or a location range from [<location1>](#) to [<location2>](#). Hence, if no [<location2>](#) is given only the entry at [<location1>](#) will be displayed.

If no entries are found at the selected location "OK" will be returned.

Parameter Description

`<location1>`^(num)

The first (lowest) location number within phonebook memory for which the corresponding entry is to be displayed. The supported range is given in the test command response.

If `<location1>` exceeds the upper bound `<maxloc>` (as indicated by the test command), command will respond with "+CME ERROR: INVALID INDEX".

`<location2>`^(num)

The last (highest) location number within phonebook memory for which the corresponding entry is to be displayed. The supported range is given in the test command response.

If both `<location1>` and `<location2>` are in the range indicated by the test command with parameter `<maxloc>`, the list of entries will be output and terminated with "OK".

If `<location2>` exceeds the range indicated by the test command with parameter `<maxloc>`, the list of entries will be output but terminated with "+CME ERROR: INVALID INDEX".

`<number>`^(str)

Phone number in format specified by `<type>`, it may be an empty string.

`<type>`^(num)

Address type

145	dialling string <code><number></code> includes international access code character '+'
209	dialling string <code><number></code> contains printable non-alphabetic non-digit characters saved with the number string. For phonebook entries with this <code><type></code> , dialling from phonebook with <code>ATD<mem><n></code> is not possible. For further detail, check the parameter descriptions for at command <code>AT+CPBW</code> .
129	otherwise

`<text>`^{(str)(+CSCS)}

Text assigned to a phone number. The maximum length for this parameter is given with test command response parameter `<tlength>`.

If using an ASCII terminal characters which are coded differently in ASCII and GSM have to be entered via escape sequences as described in chapter [Supported character sets](#).

`<maxloc>`^(num)

Maximum location number for the currently selected storage. For phonebooks located on the SIM this value depends on the SIM card type.

`<nlength>`^(num)

Maximum length of phone number for "normal" locations. Depending on the storage a limited number of locations with extended memory is available per phonebook. These locations allow storing numbers with twice the standard length, which is $2 \times \text{<nlength>}$ digits for normal numbers, but only `<nlength>` digits for numbers saved with `<type>=209`.

`<tlength>(num)`

Maximum length of `<text>` assigned to the telephone number. The value indicated by the test command is given in octets. If `<text>` is given as GSM characters each character corresponds to one octet. If the `<text>` string is given in UCS2, the maximum number of characters depends on the coding scheme used for the alpha field of the SIM according to GSM 11.11, Annex B [21]. As a worst case the number of UCS2 characters is less than half the number of GSM characters. For a detailed description please refer to GSM 11.11, Annex B [21].

Examples

EXAMPLE 1

First run the test command to find out the maximum range of entries stored in the active phonebook

```
AT+CPBR=?  
+CPBR:(1-100),20,17
```

MC35i returns the supported values, where 100 is the supported range of location numbers, 20 is the length of the phone number and 17 is the maximum length of the associated text.

EXAMPLE 2

Then use the execute command to display the phonebook entries sorted by location numbers

```
AT+CPBR =1,3  
+CPBR:1,"+999999",145,"Charlie"  
+CPBR:2,"+777777",145,"Bill"  
+CPBR:3,"+888888",145,"Arthur"
```

15.3 AT+CPBS Select phonebook memory storage

This command is used to select the active phonebook storage, i.e. the phonebook storage that all subsequent phonebook commands will be operating on.

The read command can be used only after the phonebook data from the SIM have been read successfully for the first time. Reading starts after successful SIM authentication has been performed, and may take up to 30 seconds depending on the SIM used. While the read process is in progress, an attempt to use any of the phonebook commands will result in "+CME Error: 14" (SIM busy).

Syntax

Test Command

```
AT+CPBS=?
```

Response(s)

```
+CPBS: (list of supported <storage>s)  
OK  
+CME ERROR
```

Read Command

```
AT+CPBS?
```

Response(s)

```
+CPBS: <storage>, <used>, <total>  
OK  
+CME ERROR
```

Write Command

```
AT+CPBS=<storage>
```

Response(s)

```
OK  
+CME ERROR:
```

PIN	ASC0	MUX1	MUX2	MUX3
●	●	●	●	●

Reference(s)

```
GSM07.07
```

Command Description

The test command returns supported <storage>s as compound value.

The read command returns the currently selected <storage>, the number of <used> entries and the <total> number of entries available for this storage.

The write command selects the phonebook memory `<storage>`, which is used by other phonebook commands.

Parameter Description

`<storage>`^(str)

For phonebooks "MC", "RC" and "LD", automatic deletion of the entries stored in ME will be performed if the SIM card is changed. If the same SIM is removed and reinserted, no automatic deletion is performed. Calls made after last switchon will be lost from "MC", "RC" and "LD" phonebook, if the SIM is removed and reinserted during normal operation.

"FD"	Fixed dialling phonebook capacity: depending on SIM card location: SIM
"SM" ^(&F)	SIM phonebook capacity: depending on SIM card location: SIM
"ON"	MSISDN list capacity: depending on SIM card location: SIM
"ME"	Mobile Equipment Phonebook capacity: max. 250 entries location: ME
"LD"	last number dialled phonebook. Stores all voice call numbers dialed with ATD, but no data call numbers. capacity: max. 10 entries location: depending on SIM this phonebook may reside partly or completely in ME AT command +CPBW is not applicable to this storage. The LD list can be deleted with AT^SDDL or with AT^SPBD .
"MC"	missed (unanswered received) calls list capacity: max. 10 entries location: ME +CPBW is not applicable to this storage. The MC list can be deleted with AT^SPBD .
"RC"	received calls list capacity: max. 10 entries location: ME +CPBW is not applicable to this storage. The RC list can be deleted with AT^SPBD .

`<used>`^(num)

value indicating the number of used locations in selected memory storage.

`<total>`^(num)

value indicating the maximum number of locations allowed in the selected memory storage.

Note

- We recommend to take advantage of the "^SSIM READY" URC. If enabled with [AT^SSET](#), this URC acknowledges to the user that SIM data is accessible after SIM PIN authentication. It will be delivered once the ME has completed reading data from the SIM card.

15.4 AT+CPBW Write into Phonebook

This command serves to write onto an entry of the phonebook selected with [AT+CPBS](#). It can be used only after the phonebook's data has been read successfully from the SIM. Reading starts after successful SIM authentication has been performed and may take up to 30 seconds depending on the SIM used. While the read process is in progress, an attempt to use any of the phonebook commands will result in "+CME Error: SIM busy". To determine when the initial phonebook reading has been finished the URC "^SSIM READY" shall be used, refer [AT^SSET](#).

Syntax

Test Command

```
AT+CPBW=?
```

Response(s)

```
+CPBW: (1-<maxloc>), <nlength>, (list of supported <type>s), <tlength>
OK
ERROR
+CME ERROR
```

Write Command

```
AT+CPBW=[<location>][, <number>[[, <type>][, <text>]]]
```

Response(s)

```
OK
ERROR
+CME ERROR
```

PIN	ASC0	MUX1	MUX2	MUX3
●	●	●	●	●

Reference(s)

GSM 07.07

Command Description

The test command returns the location range supported by the current storage, the maximum length of [<number>](#) field, the range of supported [<type>](#) values and the maximum length of [<text>](#) field. Note: The length may not be available while SIM storage is selected. If storage does not offer format information, the format list contains empty parentheses.

The write command fills a phonebook entry at memory location [<location>](#) of the active storage selected with [AT+CPBS](#).

If [<storage>](#)="FD" (SIM fixed dialling numbers) is selected, PIN2 authentication has to be performed prior to any write access.

If no [<location>](#) is given, the first free entry will be used.

If [<location>](#) is given as the only parameter, the phonebook entry specified by [<location>](#) is deleted.

If write attempt fails "+CME ERROR" is indicated.

Parameter Description

`<location>`^(num)

Location number within phonebook memory. The supported range is given with the test command response.

`<number>`^(str)

Phone number with format specified by `<type>`. Parameter must be present, although it may be an empty string. However, alphabetic characters are not permitted.

`<number>` may contain printable non-alphabetic characters of the standard GSM alphabet as dialstring modifiers, including "*", "#" or "+". However, if `<number>` contains modifiers other than "*", "#" or "+" the following constraints shall be considered:

- If no `<type>` was specified explicitly, all accepted modifiers from the GSM alphabet will be saved in the number string. `<type>` will be set to 209 (ASCII). However, limitations as listed below for `<type>` 209 apply.
- A `<number>` saved with `<type>`=209 requires double memory. In order to fit into a standard location, the number needs to be reduced to a maximum length of `<nlength>/2`, including all digits and dial string modifiers. Extended locations may be used as stated below for `<nlength>`.

`<type>`^(num)

Type of address octet

If `<type>` is specified as 129 or 145, any non-digit characters other than "*", "#", or "+" will be removed from the number string. If the number string contains such characters, they can be saved with the number string by using `<type>` 209, see below.

145	diastring <code><number></code> includes international access code character '+'
209	diastring <code><number></code> contains printable non-alphabetic non-digit characters that should be saved with the number string. Remarks as under parameter <code><number></code> apply. For phonebook entries with this type, dialling from phonebook with <code>ATD<mem><n></code> is not possible.
129	otherwise

`<text>`^{(str)(+CSCS)}

Text assigned to the phone number. The maximum length for this parameter is given in test command response `<tlength>`. When using an ASCII terminal, characters which are coded differently in ASCII and GSM have to be entered via escape sequences as described in chapter [Supported character sets](#).

`<maxloc>`^(num)

Max. location for the currently selected storage. For phonebooks located on SIM, this value may vary between SIM cards. See [AT+CPBS](#) for typical values.

`<nlength>`^(num)

Max. length of phone number for "normal" locations. - Depending on the storage, a limited number of locations with extended memory is available per phonebook. These locations allow storing numbers with twice the standard length, which is $2 \times \text{<nlength>}$ digits for normal numbers, but only `<nlength>` digits for numbers saved with parameter `<type>`= 209. If all extended locations of the selected phonebook are used up, then any attempt to write a number which requires extended memory will be denied with CME ERROR 260: INVALID DIAL STRING.

<tlength>^(num)

Maximum length of <text> assigned to the telephone number. The value indicated by the test command is given in octets. If the <text> string is given in GSM characters, each character corresponds to one octet. If the <text> string is given in UCS2, the maximum number of characters depends on the coding scheme used for the alpha field of the SIM according to GSM 11.11, Annex B [21]. As a worst case the number of UCS2 characters is less than half the number of GSM characters. For a detailed description please refer to GSM 11.11, Annex B [21].

Examples

EXAMPLE 1

Make a new phonebook entry at the first free location

```
AT+CPBW=,"+431234567",145,"international"
```

EXAMPLE 2

Delete entry at location 1

```
AT+CPBW=1
```

EXAMPLE 3

The following examples are provided to illustrate the effect of writing phonebook entries with different types of dial string modifiers in <number>

```
AT+CPBW=5,"12345678",,"Arthur"  
AT+CPBW=6,"432!+-765()&54*654#",,"John"  
AT+CPBW=7,"432!+-765()&54*654#",129,"Eve"  
AT+CPBW=8,"432!+-765()&54*654#",145,"Tom"  
AT+CPBW=9,"432!+-765()&54*654#",209,"Richard"
```

EXAMPLE 4

Read phonebook entries from locations 5 - 9 via [AT+CPBR](#)

```
+CPBR:5,"12345678",129,"Arthur"  
+CPBR:6,"432!+-765()&54*654#",209,"John"  
+CPBR:7,"432+76554*654#",129,"Eve"  
+CPBR:8,"+432+76554*654#",145,"Tom"  
+CPBR:9,"432!+-765()&54*654#",209,"Richard"
```

15.5 AT^SPBC Search the first entry in the sorted telephone book

This command can be used to retrieve the index of the first entry starting with selected character `<schar>` in the sorted list of phonebook records of the phonebook currently selected with `AT+CPBS`.

The sorted list of phonebook records can be accessed with AT command `AT^SPBG`. The sort order is described in Section 15.1, [Sort Order for Phonebooks](#).

CAUTION: Please note that the sorted entries are assigned an index of their own which is not identical with the location numbers used in the various phonebooks. Therefore, the index retrieved with command `AT^SPBC` command can be used only as an index for `AT^SPBG`. Do not use the listed index numbers to dial out or modify entries.

This command can be used only after the phonebook data from the SIM have been read successfully for the first time. Reading starts after successful SIM authentication has been performed, and may take up to 30 seconds depending on the SIM used. While the read process is in progress, an attempt to use any of the phonebook commands will result in "+CME Error: 14" (SIM busy).

Syntax

Test Command

```
AT^SPBC=?
```

Response(s)

```
^SPBC: "FD","SM","ME"  
OK  
ERROR  
+CME ERROR
```

Write Command

```
AT^SPBC=<schar>
```

Response(s)

```
^spbc: <index>  
OK  
ERROR  
+CME ERROR
```

PIN	ASC0	MUX1	MUX2	MUX3
●	●	●	●	●

Reference(s)

SIEMENS

Command Description

The test command returns the list of phonebooks which can be searched through with `AT^SPBC`.

The write command retrieves the first (lowest) index in the list of sorted phonebook entries beginning with character `<schar>`.

Parameter Description

`<uchar>`^{(str)(+CSCS)}

The character to be searched in the sorted list of phonebook entries. Character coding and formatting according to the settings made with [AT+CSCS](#).
Search algorithms follow the sorting algorithms referenced in Section [15.1, Sort Order for Phonebooks](#).

`<index>`^(num)

The first (lowest) index number within the phonebook memory selected with [AT+CPBS](#) for which the corresponding `<text>` parameter starts with character `<uchar>`.
If no matching phonebook entry is found, `<index> =0` will be returned.
The index retrieved with [AT^SPBC](#) can be used only as an index for [AT^SPBG](#). Do not use the listed index numbers to dial out or modify entries.

Note

- We recommend to take advantage of the "SSIM READY" URC. If enabled with [AT^SSET](#), this URC acknowledges to the user that SIM data is accessible after SIM PIN authentication. It will be delivered once the ME has completed reading data from the SIM card.

15.6 AT^SPBD Purge phonebook memory storage

This command is used to purge the selected phonebook `<storage>` manually, i.e. all entries previously stored in the selected phonebook storage will be deleted.

CAUTION! The operation cannot be stopped nor reversed!

Automatic purging of phonebooks is performed when the SIM card is removed and replaced by a different SIM card. This affects the ME-based part of the "LD" storage, and storages "MC" and "RC". Storage "ME" is not affected.

For unsuccessful automatic call attempts, a "blacklist" functionality according to GSM02.07, Annex A is implemented. Since the module cannot determine whether user interaction is taking place, the blacklist must be deleted by the application, when applicable. This can be done using command AT^SPBD with parameter "BL".

This command can be used only after the phonebook data from the SIM have been read successfully for the first time. Reading starts after successful SIM authentication has been performed, and may take up to 30 seconds depending on the SIM used. While the read process is in progress, an attempt to use any of the phonebook commands will result in "+CME Error: 14" (SIM busy).

Syntax

Test Command

```
AT^SPBD=?
```

Response(s)

```
^SPBD: list of supported <storage>s  
OK  
+CME ERROR
```

Write Command

```
AT^SPBD=<storage>
```

Response(s)

```
OK  
+CME ERROR
```

PIN	ASC0	MUX1	MUX2	MUX3
●	●	●	●	●

Reference(s)

GSM02.07, SIEMENS

Command Description

The test command returns a list of supported `<storage>`s.

The write command is used to select the phonebook `<storage>` to be purged.

Parameter Description

<storage>^(str)

If test command: List of phonebooks which can be deleted by [AT^SPBD](#).

If write command: Phonebook to be deleted.

For a detailed description of storages see [AT+CPBS](#).

"FD"	Fixed dialing phonebook (In order to delete this phonebook, PIN2 authentication must be performed first.)
"SM" ^(&F)	SIM phonebook
"ON"	MSISDN list
"ME"	Mobile Equipment Phonebook
"LD"	Last number dialed phonebook
"MC"	Missed (unanswered received) calls list
"RC"	Received calls list
"BL"	Blacklist phonebook (This phonebook is not accessible with other phonebook commands.)

Note

- We recommend to take advantage of the "^SSIM READY" URC. If enabled with [AT^SSET](#), this URC acknowledges to the user that SIM data is accessible after SIM PIN authentication. It will be delivered once the ME has completed reading data from the SIM card.

15.7 AT^SPBG Read current Phonebook entries

This command can be used to display the phonebook records of the phonebook currently selected with `AT+CPBS` in sorted order by name. The sort order is described in Section 15.1, [Sort Order for Phonebooks](#).

There are two ways to use command `AT^SPBG`:

- If the optional parameter `<RealLocReq>` is omitted: Please note that the sorted entries are assigned an index of their own which is not identical with the location numbers used in the various phonebooks. In this case, command `AT^SPBG` can be used for reading only. For example, it helps you find entries starting with matching characters. Do not use the listed index numbers to dial out or modify entries.
- To access an entry found with `AT^SPBG` for editing or dialing, enter `AT^SPBG` with the parameter `<RealLocReq>=1`. Then extract the "real" location number of the entry from response parameter `<location>` and use this "real" location number with `ATD<mem><n>` or `AT+CPBW`.

This command can be used only after the phonebook data from the SIM have been read successfully for the first time. Reading starts after successful SIM authentication has been performed, and may take up to 30 seconds depending on the SIM used. While the read process is in progress, an attempt to use any of the phonebook commands will result in "+CME Error: 14" (SIM busy).

Syntax

Test Command

```
AT^SPBG=?
```

Response(s)

```
^SPBG: (1-<used>), <nlength>, <tlength>  
OK  
ERROR  
+CME ERROR
```

Write Command

```
AT^SPBG=<index1>[, <index2>][, <RealLocReq>]
```

Response(s)

```
[^SPBG: <index1>, <number>, <type>, <text>[, <location>]]  
[^SPBG: <index2>, <number>, <type>, <text>[, <location>]]  
OK  
ERROR  
+CME ERROR
```

PIN	ASC0	MUX1	MUX2	MUX3
●	●	●	●	●

Reference(s)

SIEMENS

Command Description

The test command returns the index range for this command, the maximum length of `<number>` field, and the maximum length of `<text>` field.

Note: The length may not be available while SIM storage is selected. If storage does not offer format information, the format list should be empty parentheses.

The write command selects the index of the phonebook entry, that is to be displayed, in the sorted list of phonebook, or the range of indices to display.

If no `<index2>` is given, only the entry at `<index1>` will be displayed.

If parameter `<RealLocReq>`=1, the actual location of the entry displayed will be indicated in parameter `<location>`. If `<RealLocReq>` is omitted or `<RealLocReq>`=0, parameter `<location>` will not be displayed.

The indices displayed in the first parameter of the write command response are indices in the sorted list of entries, and not related to the entries' location in the phonebook. They may not be used for other phonebook commands or `ATD<mem><n>`. Instead, parameter `<location>` must be used for these purposes.

Parameter Description

`<index1>`^(num)

The first index number within the sorted list of phonebook for which the corresponding entry is to be displayed. The supported range is given in the test command response.

If `<index 1>` exceeds the upper bound `<used>`, the AT command will return a CME ERROR 21.

`<index2>`^(num)

The last index number within the sorted list of phonebook for which the corresponding entry is to be displayed. The supported range is given in the test command response.

If both `<index1>` and `<index2>` are in the range indicated by the test command in parameter `<used>`, the list of entries will be output and terminated with OK.

If `<index2>` exceeds the range indicated by the test command in parameter `<used>`, the list of entries will be output but terminated with a +CME ERROR 21 "INVALID INDEX".

`<RealLocReq>`^(num)

Is a display of the "real" `<location>` of the entry required?

[0] Do not display an entry's "real" location number. Parameter `<location>` will not be displayed.

1 Display the "real" location number as parameter `<location>` at the end of the entry.

`<number>`^(str)

String type phone number in format specified by `<type>`.

The number parameter may be an empty string.

`<type>`^(num)

type of address octet

145 dialling string `<number>` includes international access code character '+'

209 dialling string `<number>` contains printable non-alphabetic non-digit characters saved with the number string.

For further detail, check the parameter descriptions for at command `AT+CPBW`.

129 otherwise

<text>^{(str)(+CSCS)}

Text assigned to the phone number. The maximum length for this parameter is given in test command response <tlength>.

<used>^(num)

value indicating the number of used locations in selected memory storage.

<location>^(num)

The location within phonebook memory at which the corresponding entry is located. This location may be used for other commands. (e.g. [AT+CPBR](#) or [ATD<mem><n>](#))

<nlength>^(num)

Max. length of phone number for "normal" locations. - Depending on the storage, a limited number of location-switwh extended memory is available per phonebook. Please refer to AT command [AT+CPBW](#) for detail.

<tlength>^(num)

Max. length of <text> assigned to the telephone number. The value indicated by the test command is given in octets. If the <text> string is given in GSM characters, each character corresponds to one octet. If the <text> string is given in UCS2, the maximum number of characters depends on the coding scheme used for the alpha field of the SIM according to GSM 11.11, Annex B. In the worst case, the number of UCS2 characters is less than half the number of GSM characters. For a detailed description see GSM 11.11, Annex B.

Notes

- The AT^SPBG feature is able to sort by the first 6 matching characters only. All following characters will be ignored.
- The command can be used for the phone books "SM", "FD", "ME" (cf. [AT+CPBS](#)).
- We recommend to take advantage of the "^SSIM READY" URC. If enabled with [AT^SSET](#), this URC acknowledges to the user that SIM data is accessible after SIM PIN authentication. It will be delivered once the ME has completed reading data from the SIM card.

Examples

EXAMPLE 1

Using AT^SPBG without <RealLocReq>.

- First, run the test command to find out the range of phonebook entries stored in the active phonebook:

```
AT^SPBG=?
```

TA returns the number of entries in the format:

```
^SPBG: (1-33),20,17
```

where 33 is the number of used entries in the active phonebook storage.

- Now, run the write command to display the phonebook entries by alphabetical order. It is recommended to enter the full range to obtain best results.

```
AT^SPBG=1,33
```


TA returns phonebook entries by alphabetical order:

```
^SPBG:1,"+999999",145,"Arthur" ^SPBG:2,"+777777",145,"Bill"  
^SPBG:3,"+888888",145,"Charlie" .....
```

The numbers at the beginning of each line are not the memory locations in the phonebook, but only serial numbers assigned to the entries' positions in the alphabetical list.

EXAMPLE 2

Using AT^SPBG with <RealLocReq>

- First, run the test command to find out the range of phonebook entries stored in the active phonebook:

```
AT^SPBG=?
```

TA returns the number of entries in the format:

```
^SPBG: (1-33),20,17
```

where 33 is the total number of entries in the active phonebook storage.

- Now, run the write command to display the phonebook entries by alphabetical order. It is recommended to enter the full range to obtain best results.

Use parameter <RealLocReq>=1 in order to obtain the entries' location numbers.

```
AT^SPBG=1,33,1
```

TA returns phonebook entries by alphabetical order:

```
^SPBG:1,"+999999",145,"Arthur",27 ^SPBG:2,"+777777",145,"Bill",6  
^SPBG:3,"+888888",145,"Charlie",15 .....
```

- The numbers at the end of each line are now the memory locations in the phonebook and can be used for dialing or editing phonebook entries:

```
AT+CPBR=27
```

Read out phonebook location 27.

```
+CPBR: 27,"+999999",145,"Arthur"
```

- This entry can now be edited with [AT+CPBW](#).

15.8 AT^SPBS Step through the selected phonebook alphabetically

This command can be used to scroll sequentially through the active phonebook records in alphabetical order by name. Three entries will be displayed at a time.

This command can be used only after the phonebook data from the SIM have been read successfully for the first time. Reading starts after successful SIM authentication has been performed, and may take up to 30 seconds depending on the SIM used. While the read process is in progress, an attempt to use any of the phonebook commands will result in "+CME Error: 14" (SIM busy).

This command can be used for the ME, SM and FD phonebook.

Syntax

Test Command

```
AT^SPBS=?
```

Response(s)

```
^SPBS: (list of supported <value>)  
OK
```

Write Command

```
AT^SPBS=<value>[, <RealLocReq>]
```

Response(s)

```
^SPBS: <index-a>, <number>, <type>, <text>[, <location>]  
^SPBS: <index-b>, <number>, <type>, <text>[, <location>]  
^SPBS: <index-c>, <number>, <type>, <text>[, <location>]  
OK  
+CME ERROR
```

PIN	ASC0	MUX1	MUX2	MUX3
●	●	●	●	●

Reference(s)

SIEMENS

Command Description

Test command returns a list of supported <value>.

Every time the write command is executed, 3 rows of phone book records are returned. Each triplet overlaps with the next one. The actual index depends on parameter <value>. This parameter determines whether the index will be increased or decreased.

If the index in one output line reaches the last index in the alphabetical list, the next output line will display the first list entry.

After the last record of the phonebook has been reached (see parameter <used> for AT^SPBG), the <internal-counter> switches over to the first.

There are two ways to use command AT^SPBS:

- If the optional parameter <RealLocReq> is omitted or (0): In this case, the sorted list is assigned an index of its own which is not identical with location numbers used in the various phonebooks. For example, it helps

you find entries starting with matching characters. However, do not use the listed index numbers to dial out with `ATD<mem><n>` or to modify entries with `AT+CPBW`.

- To access an entry found with `AT^SPBS` for editing or dialing, enter `AT^SPBS` with the parameter `<RealLocReq>=1`. Then extract the "real" location number of the entry from response parameter `<location>` and use this "real" location number with `ATD<mem><n>` or `AT+CPBW`.

See examples below.

Parameter Description

<code><value></code> ^(num)	
1	To make a step forward in the alphabetically sorted phonebook.
2	To make a step backward in the alphabetically sorted phonebook.
<code><index-a></code> ^(num)	
1...maxindex	The index in the sorted list of phonebook entries that identifies the first entry displayed. The value of <code><index-a></code> is determined by the value of the <code><internal-counter></code> and by parameter <code><value></code> . After a write command has terminated successfully with "OK", the value from parameter <code><index-a></code> is saved and retained as the new <code><internal-counter></code> value. Mind after the last record of phonebook, the first entry follows.
<code><index-b></code> ^(num)	
1...maxindex	The index in the sorted list of phonebook entries that identifies the second entry displayed. <code><index-b>= (<index-a>+1)</code> . Mind after the last record of phonebook, the first entry follows.
<code><index-c></code> ^(num)	
1...maxindex	The index in the sorted list of phonebook entries that identifies the third entry displayed. <code><index-c>= (<index-b>+1)</code> . Mind after the last record of phonebook, the first entry follows.
<code><number></code> ^(str)	
string type phone number in format specified by <code><type></code> . the number parameter may be an empty string.	
<code><type></code> ^(num)	
type of address octet	
145	dialling string <code><number></code> includes international access code character '+'

- 209 dialling string `<number>` contains printable non-alphabetic non-digit characters saved with the number string.
For phonebook entries with this `<type>`, dialling from phonebook with `ATD<mem><n>` is not possible. For further detail, check the parameter descriptions for at command `AT+CPBW`.
- 129 otherwise

`<text>`^{(str)(+CSCS)}

Text assigned to the phone number.

`<RealLocReq>`^(num)

Is a display of the "real" `<location>` of the entry required?

- [0] Do not display an entry's "real" location number. Parameter `<location>` will not be displayed
- 1 Display the "real" location number as parameter `<location>` at the end of the entry

`<location>`^(num)

The location within phonebook memory at which the corresponding entry is located.

This location may be used for other phonebook commands (e.g. `AT+CPBR`, `AT+CPBW`, `ATD<mem><n>`).

`<internal-counter>`^(num)

- 0^(&F)...maxindex This Parameter is only an internal parameter and cannot be modified directly. The internal counter will be reset to index 0 after a call to `ATZ` or `AT&F`.

Notes

- The complete list of sorted entries can be retrieved using AT command `AT^SPBG`.
- We recommend to take advantage of the "SSIM READY" URC. If enabled with `AT^SSET`, this URC acknowledges to the user that SIM data is accessible after SIM PIN authentication. It will be delivered once the ME has completed reading data from the SIM card.

Example

How to use `AT^SPBS` to browse through the sorted list forward and backward
Using `AT^SPBS` without `<RealLocReq>` or with `<RealLocReq>=0`

- First, `AT&F` is issued to make sure that `AT^SPBS=1` starts from the first character in alphabetical order. The example illustrates how to search down and up again.

```
at&f
OK
at^spbs=1
^SPBS:1,"+999999",145,"Arthur"
^SPBS:2,"+777777",145,"Bill"
^SPBS:3,"+888888",145,"Charlie"
OK
```

```
at^spbs=1

^SPBS:2,"+777777",145,"Bill"
^SPBS:3,"+888888",145,"Charlie"
^SPBS:4,"0304444444",129,"Esther"

OK
at^spbs=1

^SPBS:3,"+888888",145,"Charlie"
^SPBS:4,"0304444444",129,"Esther"
^SPBS:5,"0303333333",129,"Harry"

OK
at^spbs=2

^SPBS:2,"+777777",145,"Bill"
^SPBS:3,"+888888",145,"Charlie"
^SPBS:4,"0304444444",129,"Esther"

OK
```

- If the last index in the sorted list has been reached, then the internal counter overflows to the first index:

```
at&f                                reset internal counter to 0

OK

at^spbs=2                            step down 1 entry starting from (internal counter)=0 -
                                       overflow occurs.

^SPBS:33,"+49301234567",145,"TomTailor"
^SPBS:1,"+999999",145,"Arthur"
^SPBS:2,"+777777",145,"Bill"

OK
```

Using AT^SPBS with `<RealLocReq>=1` in order to obtain the entries' location numbers.

```
at^spbs=1,1

^SPBS:1,"+999999",145,"Arthur",27
^SPBS:2,"+777777",145,"Bill",6
^SPBS:3,"+888888",145,"Charlie",15
```

The numbers at the end of each line are now the memory locations in the phonebook and can be used for dialing or editing phonebook entries:

This entry can now be read with `AT+CPBR` or edited with `AT+CPBW`.

```
AT+CPBR=27
```

Read out phonebook location 27.

```
+CPBR:27,"+999999",145,"Arthur"
```

15.9 AT^SDLD Delete the 'last number redial' memory

Reading starts after successful SIM authentication has been performed, and may take up to 30 seconds depending on the SIM used. While the read process is in progress, an attempt to use any of the phonebook commands will result in "+CME Error: 14" (SIM busy).

Syntax

Test Command

```
AT^SDLD=?
```

Response(s)

```
OK
```

Exec Command

```
AT^SDLD
```

Response(s)

```
OK
```

```
ERROR
```

```
+CME ERROR: <err>
```

PIN	ASC0	MUX1	MUX2	MUX3
●	●	●	●	●

Reference(s)

```
SIEMENS
```

Command Description

The execute command deletes all numbers stored in the LD memory.

16. Audio Commands

The AT Commands described in this chapter are related to the MC35i's audio interface.

16.1 Audio programming model

The following figure illustrates how the signal path can be adjusted with the parameters `<inCalibrate>`, `<inBbcGain>`, `<outBbcGain>` and `<sideTone>`.

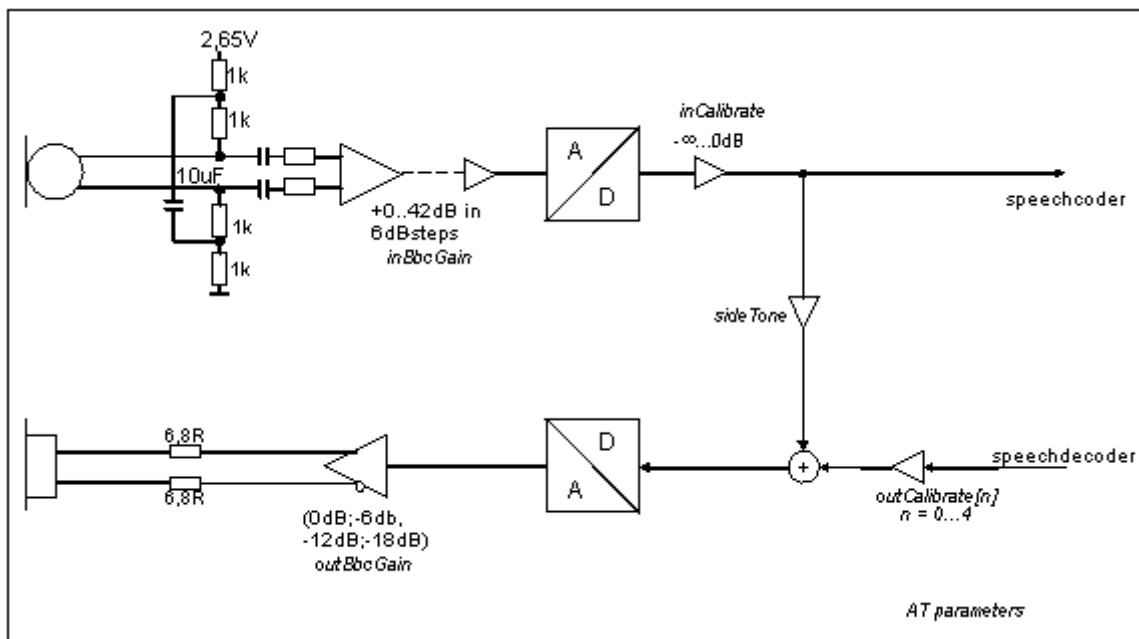


Figure 16.1: Audio programming model

16.2 ATL Set monitor speaker loudness

Syntax

Exec Command

ATL[<val>]

Response(s)

OK

PIN	ASC0	MUX1	MUX2	MUX3
<input type="radio"/>	<input checked="" type="radio"/>	<input checked="" type="radio"/>	<input type="radio"/>	<input type="radio"/>

Reference(s)

V.25ter

Parameter Description

<val>^(num)

Notes

- Commands [ATL](#) and [ATM](#) are implemented only for V.25ter compatibility reasons and have no effect.
- In multiplex mode the command is supported on logical channel 1 only.

16.3 ATM Set monitor speaker mode

Syntax

Exec Command

ATM[<val>]

Response(s)

OK

PIN	ASC0	MUX1	MUX2	MUX3
<input type="radio"/>	<input checked="" type="radio"/>	<input checked="" type="radio"/>	<input type="radio"/>	<input type="radio"/>

Reference(s)

V.25ter

Parameter Description

<val>^(num)

Notes

- Commands [ATL](#) and [ATM](#) are implemented only for V.25ter compatibility reasons and have no effect.
- In multiplex mode the command is supported on logical channel 1 only.

16.4 AT+CLVL Loudspeaker volume level

Syntax

Test Command

```
AT+CLVL=?
```

Response(s)

```
+CLVL: (list of supported<level>s)  
OK
```

Read Command

```
AT+CLVL?
```

Response(s)

```
+CLVL: <level>  
OK  
ERROR  
+CME ERROR: <err>
```

Write Command

```
AT+CLVL=<level>
```

Response(s)

```
OK  
ERROR  
+CME ERROR: <err>
```

PIN	ASC0	MUX1	MUX2	MUX3
<input type="radio"/>	<input checked="" type="radio"/>	<input checked="" type="radio"/>	<input checked="" type="radio"/>	<input checked="" type="radio"/>

Reference(s)

GSM 07.07

Parameter Description

<level>^(num)

Loudspeaker Volume Level

0...4^(D)

Notes

- The write command can only be used in audio mode 2 - 6.
- The values of the volume steps are specified with the parameters <outCalibrate>[0],...<outCalibrate>[4] of the AT^SNFO command.

- As an alternative to `AT+CLVL`, you can use `AT^SNFO` and `AT^SNFV`. The parameter `<level>` is identical with `<outStep>` used by both commands.
- Any change to `<level>` (or `<outStep>`) takes effect in audio modes 2 to 6. That is, when you change `<level>` (or `<outStep>`) and then select another mode with `AT^SNFS`, the same step will be applied. The only exception is audio mode 1 which is fixed to `<level>=4` (or accordingly `<outStep>=4`).
- `<level>` (or `<outStep>`) is stored non-volatile when the ME is powered down with `AT^SMSO` or reset with `AT+CFUN=1,1`.

16.5 AT+CMUT Mute control

Syntax

Test Command

AT+CMUT=?

Response(s)

+CMUT: (list of supported <mute>s)
OK

Read Command

AT+CMUT?

Response(s)

+CMUT: <mute>
OK
ERROR
+CME ERROR: <err>

Write Command

AT+CMUT=<mute>

Response(s)

OK
ERROR
+CME ERROR: <err>

PIN	ASC0	MUX1	MUX2	MUX3
<input type="radio"/>	<input checked="" type="radio"/>	<input checked="" type="radio"/>	<input checked="" type="radio"/>	<input checked="" type="radio"/>

Reference(s)

GSM 07.07

Command Description

This command can be used in all audio modes (1 to 6) and during a voice call only. See [AT^SNFS](#) for more details on the various audio modes. As alternative, you can use the [AT^SNFM](#) command. During an active call, users should be aware that when they switch back and forth between different audio modes (for example handsfree on/off) the value of <mute> does not change, i.e. the microphone mode is retained until explicitly changed.

Parameter Description

<mute>^(num)

0 ^(P)	mute off
1	mute on

16.6 AT+VTD Tone duration

Syntax

Test Command

AT+VTD=?

Response(s)

+VTD: (list of supported<duration>s)
OK

Read Command

AT+VTD?

Response(s)

<duration>
OK

Write Command

AT+VTD=<duration>

Response(s)

OK

PIN	ASC0	MUX1	MUX2	MUX3
<input type="radio"/>	<input checked="" type="radio"/>	<input checked="" type="radio"/>	<input checked="" type="radio"/>	<input checked="" type="radio"/>

Reference(s)

GSM 07.07

Command Description

This command refers to an integer <duration> that defines the length of tones transmitted with the [AT+VTS](#) command.

Parameter Description

<duration>^(num)

duration of the tone in 1/10 second

1(&F)...255

16.7 AT+VTS DTMF and tone generation

The Write command is intended to send ASCII characters or strings which cause the Mobile Switching Center (MSC) to transmit DTMF tones to a remote subscriber. It works during active voice calls only and offers the following variants:

- `AT+VTS=<dtmfString>` allows to send a sequence of DTMF tones with a duration defined with `AT+VTD`.
- `AT+VTS=<dtmf>[,<duration>]` allows to send a single DTMF tone. In this case, the duration can be individually determined during the call.

Syntax

Test Command

```
AT+VTS=?
```

Response(s)

```
+VTS: (list of supported<dtmf>s), (list of supported<duration>s)  
OK
```

Write Command

```
AT+VTS=<dtmfString>
```

Response(s)

```
OK
```

Write Command

```
AT+VTS=<dtmf>[, <duration>]
```

Response(s)

```
OK
```

PIN	ASC0	MUX1	MUX2	MUX3
<input type="radio"/>	<input checked="" type="radio"/>	<input checked="" type="radio"/>	<input checked="" type="radio"/>	<input checked="" type="radio"/>

Reference(s)

```
GSM 07.07
```

Parameter Description

`<dtmfString>`^(str)

String of ASCII characters in the set 0-9,#,*,A, B, C, D. Maximal length of the string is 29. The string must be enclosed in quotation marks ("...").

`<dtmf>`^(str)

ASCII character in the set 0...9,#,*, A, B, C, D.

<duration>^(num)

Tone duration in 1/10 second. If not specified current setting of [AT+VTD](#) is used.

1...255

16.8 AT^SAIC Audio Interface Configuration

Syntax

Test Command

AT^SAIC=?

Response(s)

^SAIC: (list of supported <io>s), (list of supported<mic>s), (list of supported<ep>s)
OK

Read Command

AT^SAIC?

Response(s)

^SAIC: <io>, <mic>, <ep>
OK

Write Command

AT^SAIC=<io>[, <mic>[, <ep>]]

Response(s)

OK
ERROR
+CME ERROR: operation not allowed

PIN	ASC0	MUX1	MUX2	MUX3
<input type="radio"/>	<input checked="" type="radio"/>	<input checked="" type="radio"/>	<input checked="" type="radio"/>	<input checked="" type="radio"/>

Reference(s)

SIEMENS

Command Description

This command configures the interface connections of the active audio mode.

Parameter Description

<io>^{(num)(^SNFW)}

Input and output selection

- | | |
|---|-------------------------|
| 1 | Not supported |
| 2 | Analog input and output |

<mic>^{(num)(^SNFW)}

Microphone selection

1	Microphone 1
2	Microphone 2

<ep>^{(num)(^SNFW)}

Select differential earpiece amplifier

1	Selects the earpiece amplifier 1
2	Selects the earpiece amplifier 2
3	Selects both amplifiers. Note that both amplifiers are connected in parallel and therefore, get the same output power if <ep>=3.

Notes

- The [AT^SAIC](#) write command is usable only in audio modes 2 - 6. If [AT^SNFS](#)=1, any attempt to use the [AT^SAIC](#) write command returns "+CME ERROR: operation not allowed". This is because all default parameters in audio mode 1 are determined for type approval and are not adjustable.
- To allocate a specific audio mode to one of the audio interfaces, first select the audio mode with [AT^SNFS](#) and then choose the interface using [AT^SAIC](#).
- The factory defaults of [AT^SAIC](#) vary with the selected audio mode.
If [AT^SNFS](#)=1 or 4 or 5, then [AT^SAIC](#)=2,1,1.
If [AT^SNFS](#)=2 or 3 or 6, then [AT^SAIC](#)=2,2,2. (Although given by default, this setting applies to the MC35i module only, it cannot be used with the MC35i Terminal where the second audio interface is not connected. Nevertheless, you can configure MC35i Terminal for operation with audio modes 2, 3 or 6 by setting [AT^SAIC](#)=2,1,1 instead. See examples provided with [AT^SNFS](#).)
[AT^SNFD](#) can be used to reset the factory defaults.
- For use after restart of the ME, you are advised to store the settings of [AT^SAIC](#) and [AT^SNFS](#) to the audio profile set with [AT^SNFW](#). Otherwise, audio mode 1 ([AT^SNFS](#)=1) and audio interface 2 ([AT^SAIC](#)=2,1,1) will be active each time the ME is powered up.

16.9 AT^SNFA Set or query of microphone attenuation

Syntax

Test Command

```
AT^SNFA=?
```

Response(s)

```
^SNFA: (list of supported <atten>s)  
OK
```

Read Command

```
AT^SNFA?
```

Response(s)

```
^SNFA: <atten>  
OK
```

Write Command

```
AT^SNFA=<atten>
```

Response(s)

```
OK  
ERROR  
CME ERROR: <err>
```

PIN	ASC0	MUX1	MUX2	MUX3
<input type="radio"/>	<input checked="" type="radio"/>	<input checked="" type="radio"/>	<input checked="" type="radio"/>	<input checked="" type="radio"/>

Reference(s)

SIEMENS

Command Description

The test command returns the supported values of the parameter <atten>.

The read command returns the current attenuation value on the microphone path for the current audio device (selected by [AT^SNFS](#)).

Write command controls the large-scale attenuation on the microphone path for the current audio device (selected by [AT^SNFS](#)) with the following restrictions:

- It is not allowed for audio device 1
- As long as the microphone is muted, the write command is temporarily disabled
- Setting of value 0 is not allowed (use [AT^SNFM=0](#) for this).
- For values greater than 32767, 32767 will be used.

Parameter Description

<atten>^(num)(^SNFW)

Multiplication factor for input samples. Parameter <atten> is identical with <inCalibrate> of AT^SNFI. Formula used to calculate microphone attenuation (negative gain):

Gain in dB = $20 * \log(\text{<atten>/32768})$

0...32767^(P)...65535

0	Microphone is muted
32767	No attenuation on the microphone path

Notes

- The command is provided for compatibility with M20 and is a subset of AT^SNFI. The parameter <inCalibrate> of AT^SNFI is identical with <atten> of AT^SNFA.
- To make the changes persistent use AT^SNFW.

Example

```
^SYSSTART
at^snfa=?
^SNFA: (0-65535)
OK
at^snfa?
^SNFA: 32767
OK
at^snfs=4
OK
at^snfa=1
OK
at^snfa?
^SNFA: 1
OK
at^snfi?
^SNFI: 5,1
OK
at^snfi=5,45
OK
at^snfa?
^SNFA: 45
OK
```

16.10 AT^SNFD Set audio parameters to manufacturer default values

Syntax

Test Command

```
AT^SNFD=?
```

Response(s)

```
OK
```

Exec Command

```
AT^SNFD
```

Response(s)

```
OK
```

PIN	ASC0	MUX1	MUX2	MUX3
<input type="radio"/>	<input checked="" type="radio"/>	<input checked="" type="radio"/>	<input checked="" type="radio"/>	<input checked="" type="radio"/>

Reference(s)

```
SIEMENS
```

Command Description

TA sets the active audio parameters to manufacturer defined default values.

Notes

- The restored values are:
[AT^SNFI](#): [<inBbcGain>](#), [<inCalibrate>](#) (or the equivalent [AT^SNFA](#) parameters)
[AT^SNFO](#): [<outBbcGain>](#), [<outCalibrate>](#)[0 to 4], [<sideTone>](#)
[AT^SAIC](#): [<io>](#), [<mic>](#), [<ep>](#)
[AT^SNFS](#): [<audMode>](#)
- Remember that the factory set audio mode 1 is fixed to [<outStep>](#)=4. Consequently, [AT^SNFD](#) restores [<audMode>](#) together with [<outStep>](#)=4, but does not affect the values of [<outStep>](#) currently selected in audio modes 2 - 6. This means, if [<audMode>](#)=1, the read commands [AT^SNFO](#), [AT^SNFV](#) and [AT+CLVL](#) will always deliver [<outStep>](#)=4. In all other modes the [<outStep>](#) value is retained until explicitly changed.

16.11 AT^SNFI Set microphone path parameters

Syntax

Test Command

```
AT^SNFI=?
```

Response(s)

```
^SNFI: (list of supported <inBbcGain>s) , (list of supported <inCalibrate>s)  
OK
```

Read Command

```
AT^SNFI?
```

Response(s)

```
^SNFI: <inBbcGain> , <inCalibrate>  
OK
```

Write Command

```
AT^SNFI=<inBbcGain> , <inCalibrate>
```

Response(s)

```
OK
```

PIN	ASC0	MUX1	MUX2	MUX3
<input type="radio"/>	<input checked="" type="radio"/>	<input checked="" type="radio"/>	<input checked="" type="radio"/>	<input checked="" type="radio"/>

Reference(s)

SIEMENS

Command Description

TA sets microphone path amplifying.

Parameter Description

<inBbcGain>^{(num)(^SNFW)}

ADC gain adjustable in eight 6 dB steps from 0 dB to 42 dB (0=0dB, 7=42dB, 8 steps of 6 dB).

0...7

<inCalibrate>^{(num)(^SNFW)}

Multiplication factor for input samples. Formula to calculate the negative gain (attenuation) of the input signal:
Gain in dB = 20 * log (inCalibrate / 32768)

0...32767

Notes

- Write command works only in audio modes 2 to 6!
- Read and write options of this command refer to the active audio mode.
- The range of `<inCalibrate>` is up to 65535 but will be suppressed to 32767. Values above `<inCalibrate>= 65535` will cause a failure.
- Changed values have to be stored with `AT^SNFW`.
- Attention! When you adjust audio parameters avoid exceeding the maximum allowed level. Bear in mind that exposure to excessive levels of noise can cause physical damage to users!
- The default values are customer specific.

16.12 AT^SNFM Mute microphone

Syntax

Test Command

```
AT^SNFM=?
```

Response(s)

```
^SNFM: (list of supported <mute>s)  
OK
```

Read Command

```
AT^SNFM?
```

Response(s)

```
^SNFM: <mute>  
OK
```

Write Command

```
AT^SNFM=<mute>
```

Response(s)

```
OK
```

PIN	ASC0	MUX1	MUX2	MUX3
<input type="radio"/>	<input checked="" type="radio"/>	<input checked="" type="radio"/>	<input checked="" type="radio"/>	<input checked="" type="radio"/>

Reference(s)

SIEMENS

Command Description

The test command returns the supported values of the parameter <mute>.

The read command returns whether the microphone is on or off during voice calls.

The write command can be used to mute or activate the microphone during voice calls.

Parameter Description

<mute>^(num)

0	Mute microphone
1 ^(P)	Microphone on

Notes

- The write command works in all audio modes but only during active voice calls.

- This command can be used in all audio modes (1 to 6) and during a voice call only. See [AT^SNFS](#) for more details on the various audio modes.
- During an active call, users should be aware that when they switch back and forth between different audio modes (for example handsfree on/off) the value of `<mute>` does not change, i.e. the microphone mode is retained until explicitly changed.
- As alternative, you can use the [AT+CMUT](#) command.

16.13 AT^SNFO Set audio output (= loudspeaker path) parameter

Syntax

Test Command

```
AT^SNFO=?
```

Response(s)

```
^SNFO: (list of supported <outBbcGain>s) (list of supported <outCalibrate>s) (list of supported  
<outStep>s) (list of supported <sideTone>s)  
OK
```

Read Command

```
AT^SNFO?
```

Response(s)

```
^SNFO: <outBbcGain>, <outCalibrate>[0], <outCalibrate>[1], <outCalibrate>[2],  
<outCalibrate>[3], <outCalibrate>[4], <outStep>, <sideTone>  
OK
```

Write Command

```
AT^SNFO=<outBbcGain>, <outCalibrate>[0], <outCalibrate>[1], <outCalibrate>[2],  
<outCalibrate>[3], <outCalibrate>[4], <outStep>, <sideTone>
```

Response(s)

```
OK
```



Reference(s)

SIEMENS

Command Description

TA sets earpiece path amplifying.

Parameter Description

<outBbcGain>^{(num)(^SNFW)}

Negative DAC gain (attenuation) adjustable in four 6 dB steps from 0 dB to -18 dB (0=0 dB, 3=-18 dB)

0...3

<outCalibrate>^(num)(^SNFW)

Formula to calculate the value of the 5 volume steps selectable with parameter <outStep>:
Attenuation = $20 \log * (2 * \text{outCalibrate}[n] / 32768)$

0...32767

<outStep>^(num)

Volume steps 0 - 4, each defined with outCalibrate[n]

0...[4]

<sideTone>^(num)(^SNFW)

Multiplication factor for the sidetone gain.

Formula to calculate how much of the original microphone signal is added to the earpiece signal:
Sidetone gain in dB = $20 * \log (\text{sideTone} / 32768)$.

0...32767

Notes

- The write command works only in audio modes 2 to 6.
- The read and write commands refer to the active audio mode.
- <outCalibrate> specifies the amount of volume of each <outStep>. The range of each <outCalibrate> is up to 65535, but will be suppressed to 32767. A value above <outCalibrate>= 65535 will cause an error.
- The range of <sideTone> is up to 65535, but will be suppressed to 32767. A value above <sideTone>= 65535 will cause an error.
- Any change to <outStep> takes effect in audio modes 2 to 6. That is, when you change <outStep> and then select another mode with AT^SNFS, the same step will be applied. Nevertheless, the sound quality and the amount of volume are not necessarily the same, since all remaining audio parameters can use different values in either mode.
- Audio mode 1 is fixed to <outStep>=4. In this mode, any attempt to change <outStep> or other parameters returns an error.
- The value of <outStep> is stored non-volatile when the ME is powered down with AT^SMSO or reset with AT+CFUN=x,1. Any other parameters changed with AT^SNFO need to be saved with AT^SNFW for use after restart. See also AT^SNFD for details on restoring factory defaults.
- The values of <outStep> can also be changed with AT^SNFV and AT+CLVL.
- CAUTION! When you adjust audio parameters avoid exceeding the maximum allowed level. Bear in mind that exposure to excessive levels of noise can cause physical damage to users!

16.14 AT^SNFPT Set progress tones

Syntax

Test Command

```
AT^SNFPT=?
```

Response(s)

```
^SNFPT: (list of supported <pt>s)  
OK
```

Read Command

```
AT^SNFPT?
```

Response(s)

```
^SNFPT: <pt>  
OK
```

Write Command

```
AT^SNFPT=<pt>
```

Response(s)

```
OK
```



Reference(s)

SIEMENS

Command Description

The write command controls the Call Progress Tones generated at the beginning of a mobile originated call setup.

Parameter Description

<pt>^(num)

0	Disables Call Progress Tones
1 ^(P)	Enables Call Progress Tones (audible tones shortly heard on the phone when ME starts to set up a call.)

Note

- Please note that the setting is stored volatile, i.e. after restart or reset, the default value 1 will be restored.

16.15 AT^SNFS Select audio hardware set

Syntax

Test Command

```
AT^SNFS=?
```

Response(s)

```
^SNFS: (list of supported <audMode>s)  
OK
```

Read Command

```
AT^SNFS?
```

Response(s)

```
^SNFS: <audMode>  
OK
```

Write Command

```
AT^SNFS=<audMode>
```

Response(s)

```
OK  
ERROR  
CME ERROR: <err>
```

PIN	ASC0	MUX1	MUX2	MUX3
<input type="radio"/>	<input checked="" type="radio"/>	<input checked="" type="radio"/>	<input checked="" type="radio"/>	<input checked="" type="radio"/>

Reference(s)

SIEMENS

Command Description

The write command serves to set the audio mode required for the connected equipment. For use after restart of the module, you are advised to store the selected mode to the audio profile set with [AT^SNFW](#). Otherwise, audio mode 1 will be active each time the module is powered up.

[AT^SNFS](#) can also be used in conjunction with [AT^SAIC](#). This is useful, for example, if the audio interfaces are operated alternatively to benefit from different devices. Each audio mode can be assigned a specific interface. To do so, first select the audio mode with [AT^SNFS](#), then activate the audio interface with [AT^SAIC](#) and finally enter [AT^SNFW](#) to store the settings to your audio profile. To switch back and forth it is sufficient to use [AT^SNFS](#).

Parameter Description

<audMode>^{(num)(^SNFW)}

[1]	<p>Audio mode 1: Standard mode optimized for the reference handset, that can be connected to the analog interface 1 (see your "Hardware Interface Description" for information on this handset.) To adjust the volume use the knob of the reference handset. In audio mode 4, this handset can be used with user defined parameters.</p> <p>Note: The default parameters are determined for type approval and are not adjustable with AT commands.</p> <p>AT^SNFD restores <audMode> 1.</p>
2	<p>Audio mode 2: Customer specific mode for a basic handsfree device (Siemens Car Kit Portable).</p> <p>Analog interface 2 is assumed as default.</p>
3	<p>Audio mode 3: Customer specific mode for a mono-headset.</p> <p>Analog interface 2 is assumed as default.</p>
4	<p>Audio mode 4: Customer specific mode for a user handset.</p> <p>Analog interface 1 is assumed as default.</p>
5	<p>Audio mode 5: Customer specific mode.</p> <p>Analog interface 1 is assumed as default.</p>
6	<p>Audio mode 6: Customer specific mode.</p> <p>Analog interface 2 is assumed as default.</p>

Notes

- The write command can be used during a voice call to switch back and forth between different modes. This allows the user, for example, to switch handsfree operation on and off.
- Users should be aware that <outStep> is a global setting. This means, when another audio mode is selected during a call, the value of <outStep> does not change. This is also true for mute operation which can be set with [AT^SNFM](#) or [AT+CMUT](#): If the microphone is muted and the user selects another audio mode during the call, then the microphone remains muted until explicitly changed. Exception: In audio mode 1 <outStep>=4 is fix.

Examples

EXAMPLE 1

Suppose a user wishes to use alternatively a handsfree device and a handset. The handset can be connected to the first analog interface and adjusted to audio mode 4. The handsfree device can be attached to the second analog interface and adjusted to audio mode 2. The factory defaults of `AT^SAIC` need not be changed. Settings for the handset:

```
AT^SNFS=4
OK
AT^SAIC?                               Factory default of AT^SAIC assigned to audio mode 4.
^SAIC: 2,1,1
OK
```

Settings for the handsfree device:

```
AT^SNFS=2
OK
AT^SAIC?                               Factory default of AT^SAIC assigned to audio mode 2.
^SAIC: 2,2,2
OK
```

To store the configuration to the user defined audio profile:

```
AT^SNFW                               Stores the audio mode and the interface.
OK
```

To switch back and forth:

```
AT^SNFS=4                               Switches to the handset connected to analog interface 1.
OK
AT^SNFS=2                               Switches to the handsfree device at analog interface 2.
OK
```

EXAMPLE 2

The following example illustrates a combination of a handset and a handsfree device connected to other interfaces than those assumed as factory default.

Settings for a handset connected to the second analog interface and adjusted to audio mode 4:

```
AT^SNFS=4
OK
AT^SAIC=2,2,2
OK
```

Settings for a handsfree device connected to the first analog interface and adjusted to audio mode 2:

```
AT^SNFS=2
OK
AT^SAIC=2,1,1
OK
```

To store the configuration to the user defined audio profile:

```
AT^SNFW                               Stores the audio mode and the interface.
OK
```

To switch back and forth:

```
AT^SNFS=4                               Switches to the handset connected to analog interface 1.
OK
AT^SNFS=2                               Switches to the handsfree device at analog interface 2.
OK
```

16.16 AT^SNFV Set loudspeaker volume

Syntax

Test Command

```
AT^SNFV=?
```

Response(s)

```
^SNFV: (list of supported <outStep>s)  
OK
```

Read Command

```
AT^SNFV?
```

Response(s)

```
^SNFV: <outStep>  
OK
```

Write Command

```
AT^SNFV=<outStep>
```

Response(s)

```
OK  
ERROR  
+CME ERROR
```

PIN	ASC0	MUX1	MUX2	MUX3
<input type="radio"/>	<input checked="" type="radio"/>	<input checked="" type="radio"/>	<input checked="" type="radio"/>	<input checked="" type="radio"/>

Reference(s)

SIEMENS

Command Description

The test command returns the supported values of the parameter [<outStep>](#).

The read command returns the current value of parameter [<outStep>](#).

The write command can be used to set the volume of the loudspeaker to the value [<outCalibrate>](#) addressed by [<outStep>](#).

Parameter Description

[<outStep>](#)^(num)

The actual volume of each step is defined by the parameter [<outCalibrate>](#), which can be set with [AT^SNFO](#).
0...4^(P)

Notes

- The read and write commands refer to the active audio mode.
- The write command works only in audio modes 2 to 6!
- Any change to `<outStep>` takes effect in audio modes 2 to 6. That is, when you change `<outStep>` and then select another mode with `AT^SNFS`, the same step will be applied. Nevertheless, the actual volume can be quite different, depending on the values of `<outCalibrate>` set in each mode. The only exception is audio mode 1 which is fixed to `<outStep>=4`.
- `<outStep>` is stored non-volatile when the ME is powered down with `AT^SMSO` or reset with `AT+CFUN=1,1`. `<outStep>` is not stored by `AT^SNFW`.
- `<outStep>` can also be changed by `AT^SNFO` (Section 16.13, `AT^SNFO`) and `AT+CLVL` (Section 16.4, `AT+CLVL`).

16.17 AT^SNFW Write audio setting in non-volatile store

Syntax

Test Command

```
AT^SNFW=?
```

Response(s)

```
OK
```

Exec Command

```
AT^SNFW
```

Response(s)

```
OK
```

```
ERROR
```

```
CME ERROR: <err>
```

PIN	ASC0	MUX1	MUX2	MUX3
<input type="radio"/>	<input checked="" type="radio"/>	<input checked="" type="radio"/>	<input checked="" type="radio"/>	<input checked="" type="radio"/>

Reference(s)

```
SIEMENS
```

Command Description

TA writes the active audio parameters in non-volatile store related to the active mode.

Note

- TA writes the following audio parameter values in non-volatile store:
`AT^SNFI: <inBbcGain>, <inCalibrate>`
`AT^SNFO: <outBbcGain>, <outCalibrate>[0 to 4], <sideTone>`
`AT^SNFS: <audMode>`
`AT^SAIC: <io>, <mic>, <ep>.`

16.18 AT^SRTC Ring tone configuration

Syntax

Test Command

AT^SRTC=?

Response(s)

^SRTC: (list of supported) <type>s, (list of supported) <volume>s, (list of supported) <event>s
OK

Read Command

AT^SRTC?

Response(s)

^SRTC: <type> (of <event>=0) , <volume> (of <event>=0) , <type>(of <event>=1) , <volume>(of <event>=1), <status>
OK

Exec Command

AT^SRTC

Response(s)

OK

Write Command

AT^SRTC=[<type>][, <volume>][, <event>]

Response(s)

^SRTC: <type>, <volume>
OK
ERROR

PIN	ASC0	MUX1	MUX2	MUX3
○	●	●	●	●

Reference(s)

SIEMENS

Command Description

The test command returns the current ring tone and volume

The read command returns the current <type> and current <volume>. The read command can be used while test playback is off or on. In the latter case, see Execute command for details.

The execute command is intended for testing. It starts to play a melody from the audio output currently selected with the `AT^SNFS` command. To deactivate test playback use `AT^SRTC` again.

During test playback, you can enter the Write command to select another melody and adjust the volume. Also, you can enter the read command to check the type and volume of the current ring tone, and to view the status of playback (on / off). The test ringing signal cannot be activated when an MTC is ringing (ERROR).

Selecting `<volume>=0` during the test, immediately stops playback. After this, ring tones will be muted until you change `<volume>` using the write command.

The write command chooses the type and volume of ring tones for the selected event. The settings can be changed no matter whether or not the ME is ringing. The selected type and volume are saved in the non-volatile Flash memory and, thus, are retained after Power Down. An exception is `<type>=0`, that can be entered to quickly mute the tone or melody currently played to indicate an event. `<type>=0` only stops immediately the audible ring tone, but does not terminate the URC that indicates the event (for example RING). No permanent settings are changed or saved.

Before first using ring tones:

We have chosen to let you decide your own preferences when you start using ring tones. Therefore, factory setting is `AT^SRTC=3,0,3,0,0` (ring tones are muted). To activate ring tones for the very first time, first enter the write command and simply change the volume. After applying a firmware update the volume and type selected before the firmware update will be preserved.

Parameter Description

`<type>`^(num)

Type of ring tone. You have a choice of 7 different ring tones and melodies. All will be played from the audio output selected with the `AT^SNFS` command. `<type>=0` is only intended for muting.

0	Mutes the currently played tone immediately.
1	Sequence 1
2	Sequence 2
3 ^(D)	Sequence 3
4	Sequence 4
5	Sequence 5
6	Sequence 6
7	Sequence 7

`<volume>`^(num)

Volume of ring tone, varies from low to high

0 ^(D)	Mute
1	Very low
2	Identical with 1
3	Low
4	Identical with 3
5	Middle
6	Identical with 5
7	High

<status>^(num)

Status of test ringing. Indicates whether or not a melody is currently being played back for testing

0	Switched off
1	Switched on

<event>^(num)

Event to be indicated. All settings of [<type>](#) and [<volume>](#) apply to the selected event only.

[0]	All MTCs (voice, data etc.)
1	Incoming short message

Notes

- The test ringing signal cannot be activated while an MTC is ringing (ERROR).
- If an MTC arrives during test playback, test ringing will be deactivated and "normal" ringing reactivated (RING).
- If no optional parameter is entered, the old value will be kept.
- The ring tone for SMS will be only played if the URC for incoming SMS is activated. See [AT+CNMI](#)

17. Hardware related Commands

The AT Commands described in this chapter are related to the MC35i's hardware interface. More information regarding this interface is available with the "MC35i Hardware Interface Description"[\[2\]](#).

17.1 AT+CALA Set alarm time

Syntax

Test Command

```
AT+CALA=?
```

Response(s)

```
+CALA: (list of supported<n>s), (list of supported<type>s), (list of supported<tlength>s)  
OK  
ERROR  
+CME ERROR: <err>
```

Read Command

```
AT+CALA?
```

Response(s)

```
+CALA: <time>[, <n>[, <type>[, <text>]]]  
OK  
ERROR  
+CME ERROR: <err>
```

Write Command

```
AT+CALA=<time>[, <n>[, <type>[, <text>]]]
```

Response(s)

```
OK  
ERROR  
+CME ERROR
```

PIN	ASC0	MUX1	MUX2	MUX3
<input type="radio"/>	<input checked="" type="radio"/>	<input checked="" type="radio"/>	<input checked="" type="radio"/>	<input checked="" type="radio"/>

Reference(s)

GSM 07.07

Unsolicited Result Codes

URC 1

+CALA: <text>

Indicates reminder message.

URC 2

^SYSSTART ALARM MODE

+CALA: <text>

Indicates ME wake-up into Alarm mode. If autobauding is active ([AT+IPR=0](#)) the line "^SYSSTART ALARM MODE" does not appear, but your individual <text> message will be displayed.

Command Description

Test command returns supported array index values <n>, alarm types <type>, and maximum length of the text <tlength> to be output.

Read command returns the list of current alarm settings in the ME.

The write command sets an alarm time in the ME. When the alarm is timed out and executed the ME returns an Unsolicited Result Code (URC) and the alarm time is reset to "00/01/01,00:00:00".

The alarm can adopt two functions, depending on whether or not you switch the GSM engine off after setting the alarm:

- **Reminder message:** You can use the alarm function to generate reminder messages. For this purpose, set the alarm as described below and do not switch off or power down the ME. When executed the message comes as an Unsolicited Result Code.
- **Alarm mode:** You can use the alarm function to restart the ME when powered down. For this purpose, set the alarm as described below. Then power down the ME by entering the [AT^SMSO](#) command. When the alarm time is reached, the ME will wake up to Alarm mode. To prevent the ME from unintentionally logging into the GSM network, Alarm mode provides restricted operation. Upon wake-up, the ME indicates an Unsolicited Result Code which reads: ^SYSSTART ALARM MODE. A limited number of AT commands is available during Alarm mode, for details see [Table 17.1, List of AT commands available in Alarm mode](#). The ME remains deregistered from the GSM network.

If you want the ME to return to full operation (normal operating mode) it is necessary to restart the ME by driving the ignition line (IGT pin of application interface) to ground . For details please refer to [\[2\]](#).

Parameter Description

<time>^(str)

Format is "yy/MM/dd, hh:mm:ss", where characters indicate year (two last digits), month, day, hour, minutes. E.g. 6th of May 2004, 22:10:00 hours equals to "04/05/06,22:10:00" (see also [AT+CCLK](#)). Note: if <time> equals current date and time or is set to an earlier date, TA returns +CME ERROR: 21.

<n>^(num)

Integer type value indicating the array index of the alarm.

The ME allows to set only one alarm at a time. Therefore, the list of supported alarm events indicated by the test command [AT+CALA=?](#) is <n>=0. If a second alarm time is set, the previous alarm will be deleted. Therefore, the read command [AT+CALA?](#) will always return <n>=0. This is also true if individual settings are made on the various Multiplexer channels, for details see notes below.

<type>^(num)

Integer type value indicating the type of the alarm.

0 Alarm indication: text message via serial interface

<text>^(str)

String type value indicating the text to be displayed when alarm time is reached; maximum length is <tlength>. By factory default, <text> is undefined.

Note: <text> will be stored to the non-volatile flash memory when the device enters the Power Down mode via [AT^SMSO](#). Once saved, it will be available upon next power-up, until you overwrite it by typing another text. This eliminates the need to enter the full string when setting a fresh alarm.

<text> should not contain characters which are coded differently in ASCII and GSM (e.g. umlauts), see also "Supported character sets" and "GSM alphabet tables".

<tlength>^(num)

Integer type value indicating the maximum length of <text>. The maximum length is 16.

Notes

- After the alarm was executed the parameter <time> of [AT+CALA](#) will be reset to "00/01/01,00:00:00", but <text> will be preserved as described above.
- If MC35i is totally disconnected from power supply the most recently saved configuration of +CALA: <time>[,<n>[,<type>[,<text>]]] will be presented when MC35i is powered up.
- Each time MC35i is restarted it takes 2s to re-initialize the RTC and to update the current time. Therefore, it is recommended to wait 2s before using the commands [AT+CCLK](#) and [AT+CALA](#) (for example 2s after ^SYSSTART has been output).
- Alarm settings on different Multiplexer channels (see [AT+CMUX](#)):
 - On each interface an individual <text> message can be stored, but only one time setting applies. This means an alarm <time> set on one of the interfaces overwrites the time setting on all remaining interfaces. Therefore, the total number of alarm events returned by the read command [AT+CALA?](#) will always be <n>=0, no matter whether different text messages are stored.
 - When the alarm is timed out and executed, the ME sends the URC only on the interface where the most recent alarm setting was made. The alarm time will be reset to "00/01/01,00:00:00" on all interfaces.

Examples

EXAMPLE 1

You may want to configure a reminder call for May 31, 2004, at 9.30h, including the message "Good Morning".

```
AT+CALA="04/05/31,09:30:00",0,0,"Good Morning"  
OK
```

Do not switch off the GSM engine. When the alarm is executed the ME returns the following URC:

```
+CALA: Good Morning
```


EXAMPLE 2

To set a fresh alarm using the same message as in Example 1, simply enter date and time. `<n>`, `<type>`, `<text>`, `<length>` can be omitted:

```
AT+CALA="04/05/31,08:50:00"
OK
```

When the alarm is executed the URC comes with the same message:

```
+CALA: Good Morning
```

EXAMPLE 3

To configure the Alarm mode, e.g. for May 20, 2004, at 8.30h, enter

```
AT+CALA="04/05/20,08:30:00"
OK
```

Next, power down the ME:

```
AT^SMSO
^SMSO: MS OFF
```

When the alarm is executed the ME wakes up to Alarm mode and displays a URC. If available, this line is followed by the individual `<text>` most recently saved. If no individual message was saved only the first line appears.

```
^SYSSTART ALARM MODE
+CALA: Good Morning
```

17.1.1 Summary of AT commands available in Alarm mode

Table 17.1: List of AT commands available in Alarm mode

AT command	Function
AT+CALA	Set alarm time.
AT+CCLK	Set date and time of RTC.
AT^SBC	Query average current consumption, enable / disable the undervoltage URC " ^SBC ". If product is MC35i Terminal: AT command not relevant.
AT^SCTM	Query temperature of GSM engine.
AT^SMSO	Power down GSM engine.

17.2 AT+CCLK Real Time Clock

Syntax

Test Command

```
AT+CCLK=?
```

Response(s)

```
OK
```

Read Command

```
AT+CCLK?
```

Response(s)

```
+CCLK: <time>
```

```
OK
```

Write Command

```
AT+CCLK=<time>
```

Response(s)

```
+CME ERROR: <err>
```

```
ERROR
```

```
OK
```

PIN	ASC0	MUX1	MUX2	MUX3
<input type="radio"/>	<input checked="" type="radio"/>	<input checked="" type="radio"/>	<input checked="" type="radio"/>	<input checked="" type="radio"/>

Reference(s)

```
GSM 07.07
```

Parameter Description

<time>^(str)

Format is "yy/mm/dd, hh:mm:ss", where the characters indicate the two last digits of the year, followed by month, day, hour, minutes, seconds; for example 6th of May 2004, 22:10:00 hours equals to "04/05/06,22:10:00"
Factory default is "02/01/01,00:00:00"

Notes

- <time> is retained if the device enters the Power Down mode via [AT^SMSO](#).
- <time> will be reset to its factory default if power is totally disconnected. In this case, the clock starts with <time>="02/01/01,00:00:00" upon next power-up.
- Each time MC35i is restarted it takes 2s to re-initialize the RTC and to update the current time. Therefore, it is recommended to wait 2s before using the commands [AT+CCLK](#) and [AT+CALA](#) (for example 2s after ^SYSSTART has been output).

17.3 AT^SBC Battery charge and charger control

Please note that the `AT^SBC` command is intended only for use the MC35i Module. It is not relevant for the MC35i Terminal.

If the product is MC35i Module: The `AT^SBC` read command can be used to query the average current consumption of the module. The `AT^SBC` write command determines the presentation of Unsolicited Result Codes used to indicate undervoltage conditions.

Syntax

Test Command

```
AT^SBC=?
```

Response(s)

```
^SBC: (list of supported <bcs>s), (list of supported <bcl>s), (list of supported <mpc>s)  
OK
```

Read Command

```
AT^SBC?
```

Response(s)

```
^SBC: <bcs>, <bcl>, <mpc>  
OK  
ERROR  
+CME ERROR: <err>
```

Write Command

```
AT^SBC=<n>
```

Response(s)

```
OK  
ERROR  
+CME ERROR: <err>
```

PIN	ASC0	MUX1	MUX2	MUX3
<input type="radio"/>	<input checked="" type="radio"/>	<input checked="" type="radio"/>	<input checked="" type="radio"/>	<input checked="" type="radio"/>

Reference(s)

SIEMENS

Unsolicited Result Code

`^SBC`: Undervoltage

The URC will be sent if undervoltage is detected. If the module is in IDLE mode it takes typically one minute to deregister from the network and to switch off.

Parameter Description

<n>^(num)

0 ^(P)	Disables presentation of Undervoltage URC
1	Enables presentation of Undervoltage URC

<bcs>^(num)

Connection status of charging adapter (not relevant for MC35i)

0	No charging adapter is connected
---	----------------------------------

<bcl>^(num)

Battery capacity (not relevant for MC35i)

0	Indicates that no battery is available
---	--

<mpc>^(num)

ME's power consumption in mA averaged over a couple of seconds.

0...5000

17.4 AT^SCTM Set critical operating temperature presentation mode or query temperature

Use this command to monitor the temperature range of the module. The write command enables or disables the presentation of URCs to report critical temperature limits.

CAUTION: During a guard period of two minutes after power-up, the module will not switch off, even if the critical temperature limit is exceeded. This allows the user to issue emergency calls, or calls to a predefined [<phone number>](#) before the module switches off.

During this guard period, the module operates in an automatic report mode: URCs can be always displayed regardless of the selected mode [<n>](#). Refer to Section [17.4.1, Deferred shutdown](#) for detail.

Syntax

Test Command

AT^SCTM=?

Response(s)

If parameter [<p>](#)= 0:

^SCTM: (list of supported [<n>](#)s)

OK

If parameter [<p>](#)= 1:

^SCTM: (list of supported [<n>](#)s), (range of [<temp>](#) in Celsius)

OK

Read Command

AT^SCTM?

Response(s)

If no [<phone number>](#) is defined and parameter [<p>](#)= 0:

^SCTM: [<n>](#), [<m>](#)

OK

If no [<phone number>](#) is defined and parameter [<p>](#)= 1:

^SCTM: [<n>](#), [<m>](#), [<temp>](#)

If [<phone number>](#) is defined and parameter [<p>](#)= 0:

^SCTM: [<n>](#), [<m>](#), [<phone number>](#)

OK

If [<phone number>](#) is defined and parameter [<p>](#)= 1:

^SCTM: [<n>](#), [<m>](#), [<temp>](#), [<phone number>](#)

OK

Write Command

AT^SCTM=[<n>](#)[, [<p>](#) [, [<phone number>](#)]]

Response(s)

OK

ERROR

+CME ERROR: [<err>](#)



Unsolicited Result Code

URCs will be automatically sent to the TA when the temperature reaches or exceeds the critical level, or when it is back to normal.

^SCTM_B: <m>

for module (board) temperature

Command Description

The read command returns:

- the URC presentation mode
- information about the current temperature range of the module
- The board temperature in Celsius if parameter <p>=1.
- The predefined <phone number>, if defined. If <phone number> is not defined, the parameter will be left out.

Select <n> to enable or disable the presentation of the URCs. Please note that the setting will not be stored upon Power Down, i.e. after restart or reset, the default <n>=0 will be restored. To benefit from the URCs <n>=1 needs to be selected every time you reboot the GSM engine.

Optionally, You may define one <phone number> for which temperature-based switchoff will be deferred. See Section 17.4.1, [Deferred shutdown](#) for detail.

Parameter Description

<n> ^(num)	
0(&F)	Presentation of URCs is disabled (except for <m> equal to -2 or +2).
1	Presentation of URCs is enabled.
<m> ^(num)	
-2	Below lowest temperature limit (causes immediate switch-off except in cases described in Section 17.4.1, Deferred shutdown)
-1	Below low temperature alert limit
0	Normal operating temperature
1	Above upper temperature alert limit
2	Above uppermost temperature limit (causes immediate switch-off except in cases described in Section 17.4.1, Deferred shutdown)

<p>^(num)

- | | |
|-------|---|
| 0(&F) | Suppress output of <temp> in test and read command. |
| 1 | Output <temp> in test and read command. |

<temp>^(num)

Board temperature in Celsius. Is comprised between the lowest temperature limit and the uppermost temperature limit.

<phone number>^(str)

user defined phonenumber for deferred switchoff

one phone number (in international format) that can be called even if a critical temperature limit is exceeded. The number will be stored permanently in the ME. Please refer to Section 17.4.1, [Deferred shutdown](#) for more information about the deferred temperature switchoff. The phone number must be in international format, i.e. it must begin with the international access character "+".

If the use of call modifiers (such as "G", "I" or "*31#") is possible when starting a call to <phone number>, the modifiers must be stored together with the number, and entered every time the number is called. Otherwise, the number may not be recognized, so a temperature switchoff will not be deferred by the active call.

The maximum length for the number is 41 digits including the mandatory "+" sign.

If parameter <phone number> is left out, an already stored number will remain unchanged.

If parameter <phone number> is invalid, an already stored number will be erased.

In order to "orderly" erase a number stored previously as <phone number>, enter an empty string "" as parameter value.

Notes

- Please refer to the "Hardware Interface Description" for specifications on critical temperature ranges.
- To avoid damage the module will shut down once the critical temperature is exceeded. For exceptions please refer to Section 17.4.1, [Deferred shutdown](#).
The shutdown procedure is equivalent to the power-down initiated with `AT^SMSO`.
- URCs indicating the alert level "1" or "-1" are intended to enable the user to take appropriate precautions, such as protect the module from exposure to extreme conditions, or save or back up data etc. The presentation of "1" or "-1" URCs depends on the settings selected with the write command:
If <n>=0: Presentation is enabled during the two minute guard period after the module was switched on. After expiry of the two minute guard period, the presentation will be disabled, i.e. no URCs with alert levels "1" or "-1" will be generated.
If <n>= 1: Presentation of "1" or "-1" URCs is always enabled.
- Level "2" or "-2" URCs are followed by immediate shutdown, except in cases described in Section 17.4.1, [Deferred shutdown](#). The presentation of these URCs is always enabled, i.e. they will be output even though the factory setting `AT^SCTM=0` was never changed.

Examples

EXAMPLE 1

URCs issued when the operating temperature is out of range:

<code>^SCTM_B: 1</code>	Caution: Engine close to overtemperature limit.
<code>^SCTM_B: 2</code>	Alert: Engine is above overtemperature limit and switches off.

^SCTM_B: -1	Caution: Engine close to undertemperature limit.
^SCTM_B: -2	Alert: Engine is below undertemperature limit and switches off.

EXAMPLE 2

URCs issued when the temperature is back to normal (URC is output once):

^SCTM_B: 0	Engine back to normal temperature
------------	-----------------------------------

17.4.1 Deferred shutdown

In the following cases, shutdown will be deferred if a critical temperature limit is exceeded:

- while an emergency call is in progress
- while a call to predefined number [<phone number>](#) is in progress
- during a two minute guard period after powerup. This guard period has been introduced in order to allow for the user to make an emergency call or to make a call to [<phone number>](#). The start of any one of these calls extends the guard period until the end of the call. Any other network activity may be terminated by shutdown upon expiry of the guard time.

While in a "deferred shutdown" situation, the engine continues to measure the temperature and to deliver alert messages, but deactivates the shutdown functionality. Once the guard period is expired or the call is terminated, full temperature control will be resumed. If the temperature is still out of range, ME switches off immediately (without another alert message).

CAUTION! automatic shutdown is a safety feature intended to prevent damage to the module. Extended usage of the deferred shutdown facilities provided may result in damage to the module, and possibly other severe consequences.

17.5 AT^SSYNC Configure SYNC Pin

The `AT^SSYNC` command serves to configure the SYNC pin of the application interface. The applicability of the different types of `<mode>` is product dependent:

- If you have a MC35i module you may select either mode, depending on whether your application is designed to use the SYNC mode (indicates the current consumption in a transmit burst) or the LED mode (drives a status LED connected to the pin). See [2] for further details on both modes.
- In the case of the MC35i Terminal the `AT^SSYNC` command is intended only to control the status LED placed on the front panel. Therefore, the SYNC mode (`<mode>=0`) is not applicable. Further details on the LED can be found in [3].

Syntax

Test Command

```
AT^SSYNC=?
```

Response(s)

```
^SSYNC: list of supported <mode>s  
OK
```

Read Command

```
AT^SSYNC?
```

Response(s)

```
^SSYNC: <mode>  
OK
```

Write Command

```
AT^SSYNC=<mode>
```

Response(s)

```
OK
```

PIN	ASC0	MUX1	MUX2	MUX3
○	●	●	●	●

Reference(s)

SIEMENS

Parameter Description

<code><mode></code> ^(num)	
[0]	<p>SYNC mode: Enables the SYNC pin to indicate growing power consumption during a transmit burst. You can make use of the signal generated by the SYNC pin, if power consumption is your concern. To do so, ensure that your application is capable of processing the signal. Your platform design must be such that the incoming signal causes other components to draw less current. In short, this allows your application to accommodate current drain and thus, supply sufficient current to the GSM engine if required.</p> <p>Note: <code><mode>=0</code> is the factory default of the MC35i module. In the case of the MC35i Terminal this mode is not applicable and should not be selected.</p>
1	<p>LED mode: Enables the SYNC pin to drive a status LED installed in your application according to the specifications provided in [2]. The coding of the LED is described in Section 17.5.1, ME status indicated by status LED patterns.</p> <p>Note: <code><mode>=1</code> is the factory default of the MC35i Terminal.</p>

Note

- The selected `<mode>` is stored to the non-volatile Flash memory, and thus retained after Power Down.

17.5.1 ME status indicated by status LED patterns

The following table lists the possible patterns of status LED behavior, and describes the ME operating status indicated by each pattern if `AT^SSYNC` parameter `<mode>=1`. Except for the LED state "off", all LED patterns apply no matter whether the ME works at full functionality level `AT+CFUN=1` or has entered a "temporary wake-up state" during one of the CYCLIC SLEEP modes. See `AT+CFUN` for details on the various SLEEP modes.

Table 17.2: Modes of the LED and indicated ME functions

LED behavior	ME operating status if <code>AT^SSYNC=1</code>
Permanently off	ME is in one of the following modes: POWER DOWN mode, ALARM mode, SLEEP mode with no wake-up event is progress.
600 ms on / 600ms off	Limited Network Service: No SIM card inserted or no PIN entered, or network search in progress, or ongoing user authentication, or network login in progress.
75 ms on / 3 s off	IDLE mode: The mobile is registered to the GSM network (monitoring control channels and user interactions). No call is in progress.
75 ms on / 75 ms off / 75 ms on / 3 s off	One or more GPRS contexts activated.
0.5 s on / off depending on transmission activity	Packet switched data transfer in progress. LED goes on within 1 second after data packets were exchanged. Flash duration is approximately 0.5 s.
Permanently on	Depending on type of call: Voice call: Connected to remote party. Data call: Connected to remote party or exchange of parameters while setting up or disconnecting a call.

18. Miscellaneous Commands

The AT Commands described in this chapter are related to various areas.

18.1 A/ Repeat previous command line

Syntax

Exec Command
A/
Response(s)

PIN	ASC0	MUX1	MUX2	MUX3
<input type="radio"/>	<input checked="" type="radio"/>	<input checked="" type="radio"/>	<input checked="" type="radio"/>	<input checked="" type="radio"/>

Reference(s)
V.25ter

Command Description

Repeat previous command line.

Notes

- Line does not need to end with terminating character.
- After beginning with the character "a" or "A" a second character "t", "T" or "/" has to follow. In case of using a wrong second character, it is necessary to start again with character "a" or "A".
- If autobauding is active, the command A/ cannot be used (see [AT+IPR](#)).

18.2 AT3 Write command line termination character

The [AT3](#) command determines the character recognized by the TA to terminate an incoming command line.

Syntax

Read Command

AT3?

Response(s)

<n>

OK

Write Command

AT3=<n>

Response(s)

OK

ERROR

PIN	ASC0	MUX1	MUX2	MUX3
<input type="radio"/>	<input checked="" type="radio"/>	<input checked="" type="radio"/>	<input checked="" type="radio"/>	<input checked="" type="radio"/>

Reference(s)

V.25ter

Parameter Description

<n>^{(num)(&W)(&V)}

command line termination character

000...13^(&F)...127

Notes

- Using a value other than the default 13 may cause problems when entering commands.
- Whenever you change the setting take into account that the new value has no effect on the URC "[^SHUT-DOWN](#)".

18.3 ATS4 Set response formatting character

The [ATS4](#) command determines the character generated by the TA for result code and information text.

Syntax

Read Command

ATS4?

Response(s)

<n>

OK

Write Command

ATS4=<n>

Response(s)

OK

ERROR

PIN	ASC0	MUX1	MUX2	MUX3
<input type="radio"/>	<input checked="" type="radio"/>	<input checked="" type="radio"/>	<input checked="" type="radio"/>	<input checked="" type="radio"/>

Reference(s)

V.25ter

Parameter Description

<n>^{(num)(&W)(&V)}

response formatting character

000...10^(&F)...127

Note

- Whenever you change the setting take into account that the new value has no effect on the URC "[^SHUT-DOWN](#)".

18.4 ATS5 Write command line editing character

Syntax

Read Command

ATS5?

Response(s)

<n>

OK

Write Command

ATS5=<n>

Response(s)

OK

ERROR

PIN	ASC0	MUX1	MUX2	MUX3
<input type="radio"/>	<input checked="" type="radio"/>	<input checked="" type="radio"/>	<input checked="" type="radio"/>	<input checked="" type="radio"/>

Reference(s)

V.25ter

Command Description

This parameter setting determines the character recognized by TA as a request to delete the immediately preceding character from the command line.

Parameter Description

<n>^{(num)(&W)(&V)}

command line editing character

000...8^(&F)...127

19. Appendix

19.1 Restricted access to SIM data after SIM PIN authentication

The following commands can be used only after data from the SIM have been read successfully for the first time. Reading starts after successful SIM authentication has been performed, and may take up to 30 seconds depending on the SIM used. While the read process is in progress, an attempt to use any of the following commands will result in "+CME Error: 14" (SIM busy).

We recommend to take advantage of the "^SSIM READY" URC. If enabled with `AT^SSET`, this URC acknowledges to the user that SIM data is accessible after SIM PIN authentication. It will be delivered once the ME has completed reading data from the SIM card.

∅ ... AT Command not available

○ ... AT command accessible immediately after PIN entry has returned OK

● ... AT command fully accessible after SIM PIN authentication has been completed

AT Command	Exec	Test	Read	Write
<code>AT+CMGL</code>	●	○	∅	●
<code>AT^SMGL</code>	●	○	∅	●
<code>AT+CMGR</code>	∅	○	∅	●
<code>AT^SMGR</code>	∅	○	∅	●
<code>AT+CSCA</code>	∅	○	●	○
<code>AT^SSTGI</code>	∅	●	●	●
<code>AT^SSTR</code>	∅	●	●	●
<code>AT+CPBR</code>	∅	●	∅	●
<code>AT+CPBW</code>	∅	●	∅	●
<code>AT+CPBS</code>	∅	●	●	●
<code>AT^SDLD</code>	●	●	∅	∅
<code>AT^SPBC</code>	∅	●	∅	●
<code>AT^SPBD</code>	∅	●	∅	●
<code>AT^SPBG</code>	∅	●	∅	●
<code>AT^SPBS</code>	∅	●	∅	●
<code>ATD><mem><n></code>	●	∅	∅	∅

19.2 List of Star-Hash (*#) Codes

The following command strings can be sent via [ATD](#) and have to be terminated with a semicolon. The command strings are defined with GSM 2.30 [16].

Table 19.1: List of Star-Hash (*#) Codes

Star-Hash Code	Functionality	Response, also see Table 19.3
Phone Security		
*#06#	Query IMEI:	<IMEI> OK
**04[2]*oldPin*newPin[2]*new-Pin[2]#	Change SIM pwd:	+CME ERROR: <err> / OK
**05[2]*unblKey*newPin[2]*new-Pin[2]#	Change/Unblocking SIM pwd:	+CME ERROR: <err> / OK
*#0003*MasterPhoneCode#	Unlock "PS" lock with Master Phone Code	+CME ERROR: <err> / OK
[]03*[ZZ]*oldPw*newPw*newPw#	Registration of net password	+CME ERROR: <err> / OK
Phone number presentation		
*#30#	Check status of CLIP (Calling Line Identification Presentation)	+CLIP : <n>,<m> OK (see: AT+CLIP)
*#31#	Check status of CLIR (Calling Line Identification Restriction)	+CLIR : <n>,<m> OK (see: AT+CLIR)
*31#<Phonenumber>[:]	Suppress CLIR	(see AT+CLIR)
#31#<Phonenumber>[:]	Activate CLIR	(see AT+CLIR)
*#76#	Check status of COLP (Connected Line Identification Presentation)	+COLP : 0,<m> OK (where <m> = active or not active)
*#77#	Check status of COLR (Connected Line Identification Restriction)	+COLR : 0,<m> OK (where <m> = active or not active)
Call forwarding		
(choice of *,#,*,*,**,##)21*DN*BS#	Act/deact/int/reg/eras CFU	^SCCFC : <reason>, <status>, <class> [...], like +CCFC *) (see: AT+CCFC)
(choice of *,#,*,*,**,##)67*DN*BS#	Act/deact/int/reg/eras CF busy	see above
(choice of *,#,*,*,**,##)61*DN*BS*T#	Act/deact/int/reg/eras CF no reply	see above
(choice of *,#,*,*,**,##)62*DN*BS#	Act/deact/int/reg/eras CF no reach	see above
(choice of *,#,*,*,**,##)002*DN*BS*T#	Act/deact/int/reg/eras CF all	see above
(choice of *,#,*,*,**,##)004*DN*BS*T#	Act/deact/int/reg/eras CF all cond.	see above

Star-Hash Code	Functionality	Response, also see Table 19.3
Call waiting		
(choice of *,#,*)43*BS#	Activation/deactivation/int WAIT	+CCWA : <status>, <class> [...] like +CCWA *) (see: AT+CCWA)
Call barring		
(choice of *,#,*)33*Pw*BS#	Act/deact/int BAOC	^SCLCK : <fac>, <status>, <class> [, ...] like +CLCK *) (Refer AT+CLCK)
(choice of *,#,*)331*Pw*BS#	Act/deact/int BAOIC	see above
(choice of *,#,*)332*Pw*BS#	Act/deact/int BAOIC exc.home	see above
(choice of *,#,*)35*Pw*BS#	Act/deact/int. BAIC	see above
(choice of *,#,*)351*Pw*BS#	Act/deact/int BAIC roaming	see above
#330*Pw*BS#	Deact. All Barring Services	see above
#333*Pw*BS#	Deact. All Outg.Barring Services	see above
#353*Pw*BS#	Deact. All Inc.Barring Services	see above
Call Hold / Multiparty		
C[C] in call	Call hold and multiparty	+CME ERROR: <err> / OK
USSD messages		
[C]...[C]#	Send USSD message	+CME ERROR: <err> / OK
C[C] (excluded 1[C])	Send USSD message	+CME ERROR: <err> / OK

*) Notes on ^SCCFC, +CCWA, ^SCLCK: The output depends on the affected basic service of the *# code. One line will be output for every tele- or bearer service coded in basic service code BS.
^SCCFC and ^SCLCK are modified by giving an additional <reason> or <fac> in front of the regular output string generated by the standard commands +CCFC and +CLCK.

Table 19.2: Abbreviations of Codes and Parameters used in Table 19.1, List of Star-Hash (*#) Codes

Abbreviation	Meaning	Value
ZZ	Type of supplementary services: Barring services All services	330 Not specified
DN	Dialing number	String of digits 0-9

Abbreviation	Meaning	Value
BS	Basic service equivalent to parameter class:	
	Voice	11
	FAX	13
	SMS	16
	SMS+FAX	12
	Data circuit asynchron	25
	Data circuit synchron	24
	dedicated PAD access	27
	dedicated Packet access	26
	Data circuit asynchron+PAD	21
	Data circuit synchron+Packet	22
	Data circuit asynchron+synchron+Packet+PAD	20
	All Services	--
T	Time in seconds	In contrast to AT+CCFC , parameter T has no default value. If T is not specified, an operator defined default or the last known value may be used, depending on the network operator.
PW	Password	--
C	Character of TE character set (e.g. asterics, hash or digit in case of USSD, or digits in case of held calls or multiparty calls)	--

Table 19.3: Possible Star-Hash Command Responses

Parameter	Meaning
<m>	Mode: 0 = not active, 1 = active
<n>	Unsolicited result code: 0 = presentation disabled, 1 = presentation enabled
<status>	Status: 0 = not active, 1 = active
<class>	Represents BS = basic service, refer to AT+CCFC , AT+CLCK
<fac>	Facility lock, refer AT+CLCK
<reason>	Call forwarding reason

For exact specification of format and parameters for Star-Hash commands refer to GSM 02.04, Table 3.2 [15] and GSM 02.30, Annex C [16].

Table 19.4: Star-Hash Codes for Supplementary Services

Star-Hash Code	Abbreviations in Table 19.1	Functionality
*	act	Activate (except for CLIR, see list above)
**	reg	Register and activate
*#	int	Check status (interrogate)
#	deact	Deactivate (except for CLIR, see list above)
##	eras	Unregister and deactivate

19.3 Available AT Commands and Dependency on SIM PIN

- ∅ ... command not available
 ○ ... command does not require PIN1
 ● ... command requires PIN1
 ⊙ ... command sometimes requires PIN1

Table 19.5: Available AT Commands and Dependency on SIM PIN

AT Command	Exec	Test	Read	Write
Configuration Commands				
AT&F	○	∅	∅	∅
AT&V	○	∅	∅	∅
AT&W	○	∅	∅	∅
ATQ	○	∅	∅	∅
ATV	○	∅	∅	∅
ATX	○	∅	∅	∅
ATZ	○	∅	∅	∅
AT+CFUN	∅	○	○	○
AT^SMSO	○	○	∅	∅
AT+GCAP	○	○	∅	∅
AT+CMEE	∅	○	○	○
AT+CSCS	∅	○	○	○
AT^SM20	∅	○	○	○
Status Control Commands				
AT+CMER	∅	●	●	●
AT+CIND	∅	○	○	○
AT^SIND	∅	○	○	○
AT+CEER	●	●	∅	∅
ATS18	∅	∅	○	○
AT+CPAS	○	○	∅	∅
AT+WS46	∅	○	○	○
Serial Interface Control Commands				
AT\Q	○	∅	∅	∅
AT&C	○	∅	∅	∅
AT&D	○	∅	∅	∅
AT&S	○	∅	∅	∅
ATE	○	∅	∅	∅

AT Command	Exec	Test	Read	Write
AT+ILRR	∅	●	●	●
AT+IPR	∅	○	○	○
AT+CMUX	∅	○	○	○
Security Commands				
AT+CPIN	∅	○	○	○
AT+CPIN2	∅	●	●	●
AT^SPIC	○	○	○	○
AT+CLCK	∅	●	∅	●
AT^SLCK	∅	●	∅	●
AT+CPWD	∅	●	∅	●
AT^SPWD	∅	●	∅	●
Identification Commands				
ATI	○	∅	∅	∅
AT+CGMI	○	○	∅	∅
AT+GMI	○	○	∅	∅
AT+CGMM	○	○	∅	∅
AT+GMM	○	○	∅	∅
AT+CGMR	○	○	∅	∅
AT+GMR	○	○	∅	∅
AT+CGSN	○	○	∅	∅
AT+GSN	○	○	∅	∅
AT+CIMI	●	●	∅	∅
Call related Commands				
ATA	●	∅	∅	∅
ATD	●	∅	∅	∅
ATD><mem><n>	●	∅	∅	∅
ATD><n>	●	∅	∅	∅
ATD><str>	●	∅	∅	∅
ATDI	●	∅	∅	∅
ATDL	●	∅	∅	∅
ATH	○	∅	∅	∅
AT+CHUP	●	●	∅	∅
ATS0	∅	∅	○	○
ATS6	∅	∅	○	○
ATS7	∅	∅	○	○

AT Command	Exec	Test	Read	Write
ATS8	∅	∅	○	○
ATS10	∅	∅	○	○
ATP	○	∅	∅	∅
ATO	○	∅	∅	∅
+++	○	∅	∅	∅
ATT	○	∅	∅	∅
AT+CBST	∅	○	○	○
AT+CRLP	∅	○	○	○
AT+CLCC	●	●	∅	∅
AT+CR	∅	●	●	●
AT+CRC	∅	○	○	○
AT+CSNS	∅	○	○	○
AT^SCNI	●	●	∅	∅
AT^SLCD	●	●	∅	∅
AT^STCD	●	●	∅	∅
Network Service Commands				
AT+COPN	●	●	∅	∅
AT+COPS	∅	○	○	○
AT+CREG	∅	○	○	○
AT+CSQ	○	○	∅	∅
AT^SMONC	●	●	∅	∅
AT^MONI	○	○	∅	○
AT^MONP	○	○	∅	○
AT^SMONG	●	●	∅	●
AT^SHOM	○	○	∅	∅
AT^SPLM	●	●	∅	∅
AT^SPLR	∅	●	∅	●
AT^SPLW	∅	●	∅	●
Supplementary Service Commands				
AT+CACM	∅	●	●	●
AT^SACM	●	●	∅	●
AT+CAMM	∅	●	●	●
AT+CAOC	●	●	●	●
AT+CCUG	∅	●	●	●
AT+CCFC	∅	●	∅	●

AT Command	Exec	Test	Read	Write
AT+CCWA	∅	●	●	●
AT+CHLD	∅	●	∅	●
AT+CLIP	∅	○	●	○
AT+CLIR	∅	●	●	●
AT+CPUC	∅	●	●	●
AT+CSSN	∅	○	○	○
AT+CUSD	∅	●	●	●
GPRS Commands				
AT+CGACT	∅	●	●	●
AT+CGATT	∅	●	●	●
AT+CGDATA	∅	●	∅	●
AT+CGDCONT	∅	●	●	●
AT+CGPADDR	∅	●	∅	●
AT+CGQMIN	∅	●	●	●
AT+CGQREQ	∅	●	●	●
AT+CGREG	∅	●	●	●
AT+CGSMS	∅	●	●	●
AT^SGACT	●	●	●	∅
AT^SGAUTH	∅	○	○	○
AT^SGCONF	∅	○	○	○
ATD*99#	●	∅	∅	∅
ATD*98#	●	∅	∅	∅
ATH	●	∅	∅	∅
FAX Commands				
AT+FBADLIN	∅	∅	○	○
AT+FBADMUL	∅	∅	○	○
AT+FBOR	∅	○	○	○
AT+FCIG	∅	○	○	○
AT+FCLASS	∅	○	○	○
AT+FCQ	∅	○	○	○
AT+FCR	∅	∅	∅	○
AT+FDCC	∅	○	○	○
AT+FDFFC	∅	○	○	○
AT+FDIS	∅	○	○	○
AT+FDR	○	∅	∅	∅

AT Command	Exec	Test	Read	Write
AT+FDT	○	∅	∅	○
AT+FET	∅	∅	∅	○
AT+FK	○	∅	∅	∅
AT+FLID	∅	○	○	○
AT+FMDL	∅	∅	○	∅
AT+FMFR	∅	∅	○	∅
AT+FOPT	∅	∅	∅	○
AT+FPHCTO	∅	∅	○	○
AT+FREV	∅	∅	○	∅
AT+FRH	∅	∅	∅	○
AT+FRM	∅	○	∅	○
AT+FRS	∅	∅	∅	○
AT+FTH	∅	∅	∅	○
AT+FTM	∅	○	∅	○
AT+FTS	∅	∅	∅	○
AT+FVRFC	∅	○	○	○
Short Message Service (SMS) Commands				
AT+CMGC	∅	●	∅	●
AT+CMGD	∅	●	∅	●
AT+CMGF	∅	○	○	○
AT+CMGL	●	●	∅	●
AT+CMGR	∅	●	∅	●
AT+CMGS	∅	●	∅	●
AT+CMGW	●	●	∅	●
AT+CMSS	∅	●	∅	●
AT+CNMA	●	●	∅	●
AT+CNMI	∅	●	●	●
AT+CPMS	∅	●	●	●
AT+CSCA	∅	●	●	●
AT+CSCB	∅	●	●	●
AT+CSDH	∅	●	●	●
AT+CSMP	∅	●	●	●
AT+CSMS	∅	●	●	●
AT^SLMS	●	●	∅	∅
AT^SMGL	●	●	∅	●
AT^SMGO	∅	●	●	●

AT Command	Exec	Test	Read	Write
AT^SMGR	∅	●	∅	●
AT^SSCONF	∅	○	○	○
AT^SSDA	∅	○	○	○
AT^SSMSS	∅	○	○	○
SIM related Commands				
AT+CRSM	∅	◐	∅	◐
AT^SCKS	∅	○	○	○
AT^SSET	∅	○	○	○
AT^SCID	○	○	∅	∅
AT+CXXCID	○	○	∅	∅
SIM Application Toolkit (SAT) Commands				
AT^SSTA	∅	○	○	○
^SSTN	∅	∅	∅	∅
AT^SSTGI	∅	○	○	○
AT^SSTR	∅	○	○	○
Phonebook Commands				
AT+CPBR	∅	●	∅	●
AT+CPBS	∅	●	●	●
AT+CPBW	∅	●	∅	●
AT^SPBC	∅	●	∅	●
AT^SPBD	∅	●	∅	●
AT^SPBG	∅	●	∅	●
AT^SPBS	∅	●	∅	●
AT^SDLD	●	●	∅	∅
Audio Commands				
ATL	○	∅	∅	∅
ATM	○	∅	∅	∅
AT+CLVL	∅	○	○	○
AT+CMUT	∅	○	○	○
AT+VTD	∅	○	○	○
AT+VTS	∅	○	∅	○
AT^SAIC	∅	○	○	○
AT^SNFA	∅	○	○	○
AT^SNFD	○	○	∅	∅

AT Command	Exec	Test	Read	Write
AT^SNFI	∅	○	○	○
AT^SNFM	∅	○	○	○
AT^SNFO	∅	○	○	○
AT^SNFPT	∅	○	○	○
AT^SNFS	∅	○	○	○
AT^SNFV	∅	○	○	○
AT^SNFW	○	○	∅	∅
AT^SRTC	○	○	○	○
Hardware related Commands				
AT+CALA	∅	○	○	○
AT+CCLK	∅	○	○	○
AT^SBC	∅	○	○	○
AT^SCTM	∅	○	○	○
AT^SSYNC	∅	○	○	○
Miscellaneous Commands				
A/	○	∅	∅	∅
ATS3	∅	∅	○	○
ATS4	∅	∅	○	○
ATS5	∅	∅	○	○

19.4 AT Command Settings storable with AT&W

Table 19.6: Settings Stored to User Profile on ASC0 / MUX Channel 1

AT Command	Stored Parameters
Configuration Commands	
ATQ	<n>
ATV	<value>
ATX	<value>
AT+CMEE	<errMode>
Status Control Commands	
ATS18	<n>
Serial Interface Control Commands	
AT\Q	<n>
AT&C	<value>
AT&D	<value>
AT&S	<value>
ATE	<value>
AT+ILRR	<value>
Call related Commands	
ATS0	<n>
ATS6	<n>
ATS7	<n>
ATS8	<n>
ATS10	<n>
AT+CBST	<speed>, <name>, <ce>
AT+CRLP	<iws>, <mws>, <T1>, <N2>
AT+CR	<mode>
AT+CRC	<mode>
Network Service Commands	
AT+COPS	<format>
AT+CREG	<n>
Supplementary Service Commands	
AT^SACM	<n>
AT+CLIP	<n>

AT Command	Stored Parameters
FAX Commands	
AT+FCLASS	<n>
Short Message Service (SMS) Commands	
AT+CMGF	<mode>
AT+CNMI	<mode>, <mt>, <bm>, <ds>, <bfr>
AT+CSDH	<show>
AT^SMGO	<n>
SIM related Commands	
AT^SCKS	<mode>
AT^SSET	<n>
Miscellaneous Commands	
ATS3	<n>
ATS4	<n>
ATS5	<n>

Table 19.7: Settings Stored to User Profile on MUX Channels 2 and 3

AT Command	Stored Parameters
Configuration Commands	
ATQ	<n>
ATV	<value>
ATX	<value>
AT+CMEE	<errMode>
Serial Interface Control Commands	
AT\Q	<n>
AT&C	<value>
AT&D	<value>
AT&S	<value>
ATE	<value>
Call related Commands	
ATS0	<n>
AT+CR	<mode>

AT Command	Stored Parameters
AT+CRC	<mode>
Network Service Commands	
AT+COPS	<format>
AT+CREG	<n>
Supplementary Service Commands	
AT^SACM	<n>
AT+CLIP	<n>
Short Message Service (SMS) Commands	
AT+CMGF	<mode>
AT+CNMI	<mode>, <mt>, <bm>, <ds>, <bfr>
AT+CSDH	<show>
AT^SMGO	<n>
SIM related Commands	
AT^SCKS	<mode>
AT^SSET	<n>
Miscellaneous Commands	
ATS3	<n>
ATS4	<n>
ATS5	<n>

19.5 Factory Default Settings Restorable with AT&F

Table 19.8: Factory Default Settings Restorable with AT&F

AT Command	Factory Defaults
Configuration Commands	
ATQ	<n>=0
ATV	<value>=1
ATX	<value>=4
AT+CFUN	<fun>=1
AT+CMEE	<errMode>=0
AT+CSCS	<chset>="GSM"
AT^SM20	<CallMode>=1, <CmgwMode>=1
Status Control Commands	
AT+CMER	<mode>=0, <keyp>=0, <disp>=0, <ind>=0, <bfr>=0
ATS18	<n>=0
Serial Interface Control Commands	
AT\Q	<n>=0
AT&C	<value>=1
AT&D	<value>=2
AT&S	<value>=0
ATE	<value>=1
AT+ILRR	<value>=0
Call related Commands	
ATD><mem><n>	<mem>="SM"
ATS0	<n>=000
ATS6	<n>=000
ATS7	<n>=060
ATS8	<n>=0
ATS10	<n>=002
AT+CBST	<speed>=7, <name>=0, <ce>=1
AT+CRLP	<iws>=61, <mws>=61, <T1>=78, <N2>=6
AT+CR	<mode>=0
AT+CRC	<mode>=0
Network Service Commands	
AT+COFS	<format>=0

AT Command	Factory Defaults
AT+CREG	<n>=0
Supplementary Service Commands	
AT^SACM	<n>=0
AT+CLIP	<n>=0
AT+CSSN	<n>=0, <m>=0
AT+CUUSD	<n>=0
FAX Commands	
AT+FCLASS	<n>=0
Short Message Service (SMS) Commands	
AT+CMGF	<mode>=0
AT+CNMI	<mode>=0, <mt>=0, <bm>=0, <ds>=0, <bfr>=1
AT+CSDH	<show>=0
AT+CSMP	<fo>=17, <vp>=167, <dcs>=0, <pid>=0
AT^SMGO	<n>=0
AT^SSCONF	<ra>=0
AT^SSDA	<da>=0
AT^SSMSS	<seq>=0
SIM related Commands	
AT^SCKS	<mode>=0
AT^SSET	<n>=0
Phonebook Commands	
AT+CPBS	<storage>="SM"
AT^SPBD	<storage>="SM"
AT^SPBS	<internal-counter>=0
Audio Commands	
AT+VTD	<duration>=1
Hardware related Commands	
AT^SCTM	<n>=0, <p>=0
Miscellaneous Commands	
ATS3	<n>=013

AT Command	Factory Defaults
ATS4	<n>=010
ATS5	<n>=008

19.6 Summary of Unsolicited Result Codes (URC)

Table 19.9: Summary of Unsolicited Result Codes (URC)

AT Command	URC
Configuration Commands	
AT^SMSO	^SHUTDOWN
Status Control Commands	
AT+CMER	+CIEV: <indDescr>, <indValue>
AT^SIND	+CIEV: <indDescr>, <indValue>
AT+CRC	+CRING: <type>
Network Service Commands	
AT+CREG	+CREG: <stat>
AT+CREG	+CREG: <stat>[, <lac>, <ci>]
Supplementary Service Commands	
AT^SACM	+CCCM: <ccm>
AT+CCWA	+CCWA: <calling number>, <type of number>, <class>, , <CLI validity>
AT+CCWA	^SCWA
AT+CLIP	+CLIP: <number>, <type>, , , , <CLI validity>
AT+CLIP	+CLIP: <number>, <type>
AT+CSSN	+CSSI: <code 1>
AT+CSSN	+CSSU: <code 2>
AT+CUSD	+CUSD: <m>[<str>[<dcs>]]
GPRS Commands	
AT+CGREG	+CGREG: <stat>
Short Message Service (SMS) Commands	
AT+CNMI	+CMTI: <mem3>, <index>
AT+CNMI	+CMT: <length><CR><LF><pdu>
AT+CNMI	+CMT: <oa>, <scts>[, <toa>, <fo>, <pid>, <dcs>, <sca>, <tosca>, <length>]<CR><LF><data>
AT+CNMI	+CBM: <length><CR><LF><pdu>
AT+CNMI	+CBM: <sn>, <mid>, <dcs>, <page>, <pages><CR><LF><data>
AT+CNMI	+CDS: <length><CR><LF><pdu>
AT+CNMI	+CDS: <fo>, <mr>[, <ra>][, <tora>], <scts>, <dt>, <st>
AT+CNMI	+CDSI: <mem3>, <index>

AT Command	URC
AT^SMGO	^SMGO: <mode>
SIM related Commands	
AT^SCKS	^SCKS: <SimStatus>
AT^SSET	^SSIM READY
SIM Application Toolkit (SAT) Commands	
^SSTN	^SSTN: <cmdType>
^SSTN	^SSTN: <cmdTerminateValue>
^SSTN	^SSTN: 254
^SSTN	^SSTN: 255
Hardware related Commands	
AT+CALA	+CALA: <text>
AT^SBC	^SBC: Undervoltage
AT^SCTM	^SCTM_B: <m>

19.7 Alphabetical List of AT Commands

Table 19.10: Alphabetical List of AT Commands

AT Command	Description	Section and Page
+++	Switch from data mode to command mode	Section 7.17, page 151
^SSTN	SAT Notification	Section 14.2, page 344
A/	Repeat previous command line	Section 18.1, page 416
AT&C	Set circuit Data Carrier Detect (DCD) function mode	Section 4.2, page 82
AT&D	Set circuit Data Terminal Ready (DTR) function mode	Section 4.3, page 83
AT&F	Set all current parameters to manufacturer defaults	Section 2.1, page 29
AT&S	Set circuit Data Set Ready (DSR) function mode	Section 4.4, page 84
AT&V	Display current configuration	Section 2.2, page 30
AT&W	Stores current configuration to user defined profile	Section 2.3, page 32
AT+CACM	Accumulated call meter (ACM) reset or query	Section 9.1, page 195
AT+CALA	Set alarm time	Section 17.1, page 403
AT+CAMM	Accumulated call meter maximum (ACMmax) set or query	Section 9.3, page 199
AT+CAOC	Advice of Charge information	Section 9.4, page 201
AT+CBST	Select bearer service type	Section 7.19, page 153
AT+CCFC	Call forwarding number and conditions control	Section 9.6, page 205
AT+CCLK	Real Time Clock	Section 17.2, page 407
AT+CCUG	Closed User Group	Section 9.5, page 203
AT+CCWA	Call Waiting	Section 9.7, page 209
AT+CEER	Extended Error Report	Section 3.4, page 65
AT+CFUN	Set phone functionality	Section 2.8, page 38
AT+CGACT	PDP context activate or deactivate	Section 10.1, page 226
AT+CGATT	GPRS attach or detach	Section 10.2, page 228
AT+CGDATA	Enter data state	Section 10.3, page 230
AT+CGDCONT	Define PDP Context	Section 10.4, page 232
AT+CGMI	Request manufacturer identification	Section 6.2, page 120
AT+CGMM	Request model identification	Section 6.4, page 122
AT+CGMR	Request revision identification of software status	Section 6.6, page 124
AT+CGPADDR	Show PDP address	Section 10.5, page 234
AT+CGQMIN	Quality of Service Profile (Minimum acceptable)	Section 10.6, page 235
AT+CGQREQ	Quality of Service Profile (Requested)	Section 10.7, page 239
AT+CGREG	GPRS network registration status	Section 10.8, page 243
AT+CGSMS	Select service for MO SMS messages	Section 10.9, page 245
AT+CGSN	Request product serial number identification (IMEI) identical to GSN	Section 6.8, page 126

AT Command	Description	Section and Page
AT+CHLD	Call Hold and Multiparty	Section 9.8 , page 213
AT+CHUP	Hang up call	Section 7.9 , page 143
AT+CIMI	Request international mobile subscriber identity	Section 6.10 , page 128
AT+CIND	Indicator control	Section 3.2 , page 58
AT+CLCC	List current calls of ME	Section 7.21 , page 157
AT+CLCK	Facility lock	Section 5.4 , page 107
AT+CLIP	Calling line identification presentation	Section 9.9 , page 216
AT+CLIR	Calling line identification restriction	Section 9.10 , page 218
AT+CLVL	Loudspeaker volume level	Section 16.4 , page 375
AT+CMEE	Mobile Equipment Error Message Format	Section 2.11 , page 45
AT+CMER	Mobile Equipment Event Reporting	Section 3.1 , page 55
AT+CMGC	Send an SMS command	Section 12.2 , page 294
AT+CMGD	Delete SMS message	Section 12.3 , page 295
AT+CMGF	Select SMS message format	Section 12.4 , page 296
AT+CMGL	List SMS messages from preferred store	Section 12.5 , page 297
AT+CMGR	Read SMS messages	Section 12.6 , page 299
AT+CMGS	Send SMS message	Section 12.7 , page 301
AT+CMGW	Write SMS messages to memory	Section 12.8 , page 303
AT+CMSS	Send SMS messages from storage	Section 12.9 , page 305
AT+CMUT	Mute control	Section 16.5 , page 377
AT+CMUX	Enter multiplex mode	Section 4.8 , page 91
AT+CNMA	New SMS message acknowledge to ME/TE, only phase 2+	Section 12.10 , page 306
AT+CNMI	New SMS message indications	Section 12.11 , page 308
AT+COPN	Read operator names	Section 8.1 , page 170
AT+COPS	Operator selection	Section 8.2 , page 172
AT+CPAS	Mobile equipment activity status	Section 3.6 , page 79
AT+CPBR	Read from Phonebook	Section 15.2 , page 351
AT+CPBS	Select phonebook memory storage	Section 15.3 , page 354
AT+CPBW	Write into Phonebook	Section 15.4 , page 356
AT+CPIN	Enter PIN	Section 5.1 , page 95
AT+CPIN2	Enter PIN2	Section 5.2 , page 99
AT+CPMS	Preferred SMS message storage	Section 12.12 , page 312
AT+CPUC	Price per unit and currency table	Section 9.11 , page 220
AT+CPWD	Change Password	Section 5.6 , page 114
AT+CR	Service reporting control	Section 7.22 , page 160
AT+CRC	Set Cellular Result Codes for incoming call indication	Section 7.23 , page 162

AT Command	Description	Section and Page
AT+CREG	Network registration	Section 8.3 , page 175
AT+CRLP	Select radio link protocol parameters for originated non-transparent data calls	Section 7.20 , page 155
AT+CRSM	Restricted SIM Access	Section 13.1 , page 333
AT+CSCA	SMS service centre address	Section 12.13 , page 314
AT+CSCB	Select Cell Broadcast Message Indication	Section 12.14 , page 315
AT+CSCS	Select TE character set	Section 2.12 , page 51
AT+CSDH	Show SMS text mode parameters	Section 12.15 , page 317
AT+CSMP	Set SMS text mode parameters	Section 12.16 , page 318
AT+CSMS	Select Message Service	Section 12.17 , page 320
AT+CSNS	Single Numbering Scheme	Section 7.24 , page 164
AT+CSQ	Signal quality	Section 8.4 , page 178
AT+CSSN	Supplementary service notifications	Section 9.12 , page 222
AT+CUSD	Supplementary service notifications	Section 9.13 , page 224
AT+CXXCID	Display card ID	Section 13.5 , page 341
AT+FBADLIN	Bad Line Threshold	Section 11.2 , page 262
AT+FBADMUL	Error Threshold Multiplier	Section 11.3 , page 263
AT+FBOR	Query data bit order	Section 11.4 , page 264
AT+FCIG	Query or set the Local Polling ID	Section 11.5 , page 265
AT+FCLASS	Fax: Select, read or test service class	Section 11.6 , page 266
AT+FCQ	Copy Quality Checking	Section 11.7 , page 268
AT+FCR	Capability to receive	Section 11.8 , page 269
AT+FDCC	Query or set capabilities	Section 11.9 , page 270
AT+FDFFC	Data Compression Format Conversion	Section 11.10 , page 271
AT+FDIS	Query or set session parameters	Section 11.11 , page 272
AT+FDR	Begin or continue phase C data reception	Section 11.12 , page 273
AT+FDT	Data Transmission	Section 11.13 , page 274
AT+FET	End a page or document	Section 11.14 , page 275
AT+FK	Kill operation, orderly FAX abort	Section 11.15 , page 276
AT+FLID	Query or set the Local Id setting capabilities	Section 11.16 , page 277
AT+FMDL	Identify Product Model	Section 11.17 , page 278
AT+FMFR	Request Manufacturer Identification	Section 11.18 , page 279
AT+FOPT	Set bit order independently	Section 11.19 , page 280
AT+FPHCTO	DTE Phase C Response Timeout	Section 11.20 , page 281
AT+FREV	Identify Product Revision	Section 11.21 , page 282
AT+FRH	Receive Data Using HDLC Framing	Section 11.22 , page 283
AT+FRM	Receive Data	Section 11.23 , page 284

AT Command	Description	Section and Page
AT+FRS	Receive Silence	Section 11.24 , page 285
AT+FTH	Transmit Data Using HDLC Framing	Section 11.25 , page 286
AT+FTM	Transmit Data	Section 11.26 , page 287
AT+FTS	Stop Transmission and Wait	Section 11.27 , page 288
AT+FVRF	Vertical resolution format conversion	Section 11.28 , page 289
AT+GCAP	Request complete TA capabilities list	Section 2.10 , page 44
AT+GMI	Request manufacturer identification	Section 6.3 , page 121
AT+GMM	Request TA model identification	Section 6.5 , page 123
AT+GMR	Request TA revision identification of software status	Section 6.7 , page 125
AT+GSN	Request TA serial number identification (IMEI)	Section 6.9 , page 127
AT+ILRR	Set TE-TA local rate reporting	Section 4.6 , page 86
AT+IPR	Set fixed local rate	Section 4.7 , page 88
AT+VTD	Tone duration	Section 16.6 , page 378
AT+VTS	DTMF and tone generation	Section 16.7 , page 379
AT+WS46	Select wireless network	Section 3.7 , page 80
AT\Q	Flow control	Section 4.1 , page 81
AT^MONI	Monitor idle mode and dedicated mode	Section 8.6 , page 182
AT^MONP	Monitor neighbour cells	Section 8.7 , page 186
AT^SACM	Advice of charge and query of ACM and ACMmax	Section 9.2 , page 197
AT^SAIC	Audio Interface Configuration	Section 16.8 , page 381
AT^SBC	Battery charge and charger control	Section 17.3 , page 408
AT^SCID	Display SIM card identification number	Section 13.4 , page 340
AT^SCKS	Query SIM and Chip Card Holder Status	Section 13.2 , page 336
AT^SCNI	List Call Number Information	Section 7.25 , page 166
AT^SCTM	Set critical operating temperature presentation mode or query temperature	Section 17.4 , page 410
AT^SDLD	Delete the 'last number redial' memory	Section 15.9 , page 371
AT^SGACT	Query all PDP context activations	Section 10.10 , page 247
AT^SGAUTH	Set type of authentication for PPP connection	Section 10.11 , page 249
AT^SGCONF	Configuration of GPRS related Parameters	Section 10.12 , page 250
AT^SHOM	Display Homezone	Section 8.9 , page 190
AT^SIND	Extended Indicator Control	Section 3.3 , page 62
AT^SLCD	Display Last Call Duration	Section 7.26 , page 168
AT^SLCK	Facility lock	Section 5.5 , page 113
AT^SLMS	List SMS Memory Storage	Section 12.18 , page 322
AT^SM20	Set M20 compatibility mode	Section 2.13 , page 53

AT Command	Description	Section and Page
AT^SMGL	List SMS messages from preferred store without setting status to REC READ	Section 12.19 , page 324
AT^SMGO	Set or query SMS overflow presentation mode or query SMS overflow	Section 12.20 , page 326
AT^SMGR	Read SMS message without setting status to REC READ	Section 12.21 , page 328
AT^SMONC	Cell Monitoring	Section 8.5 , page 180
AT^SMONG	GPRS Monitor	Section 8.8 , page 188
AT^SMSO	Switch off mobile station	Section 2.9 , page 43
AT^SNFA	Set or query of microphone attenuation	Section 16.9 , page 383
AT^SNFD	Set audio parameters to manufacturer default values	Section 16.10 , page 385
AT^SNFI	Set microphone path parameters	Section 16.11 , page 386
AT^SNFM	Mute microphone	Section 16.12 , page 388
AT^SNFO	Set audio output (= loudspeaker path) parameter	Section 16.13 , page 390
AT^SNFPT	Set progress tones	Section 16.14 , page 392
AT^SNFS	Select audio hardware set	Section 16.15 , page 393
AT^SNFV	Set loudspeaker volume	Section 16.16 , page 397
AT^SNFW	Write audio setting in non-volatile store	Section 16.17 , page 399
AT^SPBC	Search the first entry in the sorted telephone book	Section 15.5 , page 359
AT^SPBD	Purge phonebook memory storage	Section 15.6 , page 361
AT^SPBG	Read current Phonebook entries	Section 15.7 , page 363
AT^SPBS	Step through the selected phonebook alphabetically	Section 15.8 , page 367
AT^SPIC	Display PIN counter	Section 5.3 , page 102
AT^SPLM	Read the PLMN list	Section 8.10 , page 191
AT^SPLR	Read entry from the preferred operators list	Section 8.11 , page 192
AT^SPLW	Write an entry to the preferred operators list	Section 8.12 , page 194
AT^SPWD	Change Password	Section 5.7 , page 118
AT^SRTC	Ring tone configuration	Section 16.18 , page 400
AT^SSCONF	SMS Command Configuration	Section 12.22 , page 329
AT^SSDA	Set SMS Display Availability	Section 12.23 , page 330
AT^SSET	Indicate SIM data ready	Section 13.3 , page 338
AT^SSMSS	Set Short Message Storage Sequence	Section 12.24 , page 332
AT^SSTA	SAT Interface Activation	Section 14.1 , page 342
AT^SSTGI	SAT Get Information	Section 14.3 , page 346
AT^SSTR	SAT Response	Section 14.4 , page 348
AT^SSYNC	Configure SYNC Pin	Section 17.5 , page 414
AT^STCD	Display Total Call Duration	Section 7.27 , page 169
ATA	Answer a call	Section 7.1 , page 129

AT Command	Description	Section and Page
ATD	Mobile originated call to dial a number	Section 7.2 , page 131
ATD*98#	Request GPRS IP service	Section 10.14 , page 254
ATD*99#	Request GPRS service	Section 10.13 , page 252
ATD<mem><n>	Originate call to phone number in memory	Section 7.3 , page 134
ATD<n>	Originate call to phone number selected from active memory	Section 7.4 , page 136
ATD<str>	Originate call to phone number in memory with corresponding field	Section 7.5 , page 138
ATDI	Mobile originated call to dialable ISDN number <n>	Section 7.6 , page 140
ATDL	Redial last telephone number used	Section 7.7 , page 141
ATE	Enable command echo	Section 4.5 , page 85
ATH	Disconnect existing connection	Section 7.8 , page 142
ATH	Manual rejection of a network request for PDP context activation	Section 10.15 , page 255
ATI	Display product identification information	Section 6.1 , page 119
ATL	Set monitor speaker loudness	Section 16.2 , page 373
ATM	Set monitor speaker mode	Section 16.3 , page 374
ATO	Switch from command mode to data mode / PPP online mode	Section 7.16 , page 150
ATP	Select pulse dialing	Section 7.15 , page 149
ATQ	Set result code presentation mode	Section 2.4 , page 33
ATS0	Set number of rings before automatically answering a call	Section 7.10 , page 144
ATS10	Set disconnect delay after indicating the absence of data carrier	Section 7.14 , page 148
ATS18	Extended call release report	Section 3.5 , page 77
ATS3	Write command line termination character	Section 18.2 , page 417
ATS4	Set response formatting character	Section 18.3 , page 418
ATS5	Write command line editing character	Section 18.4 , page 419
ATS6	Set pause before blind dialing	Section 7.11 , page 145
ATS7	Set number of seconds to wait for connection completion	Section 7.12 , page 146
ATS8	Set number of seconds to wait for comma dialing modifier	Section 7.13 , page 147
ATT	Select tone dialing	Section 7.18 , page 152
ATV	Set result code format mode	Section 2.5 , page 34
ATX	Set CONNECT result code format and call monitoring	Section 2.6 , page 36
ATZ	Set all current parameters to user defined profile	Section 2.7 , page 37