

CashCode

Stackerless Bill Validator

VU(MVU) Series

Operation and service Manual

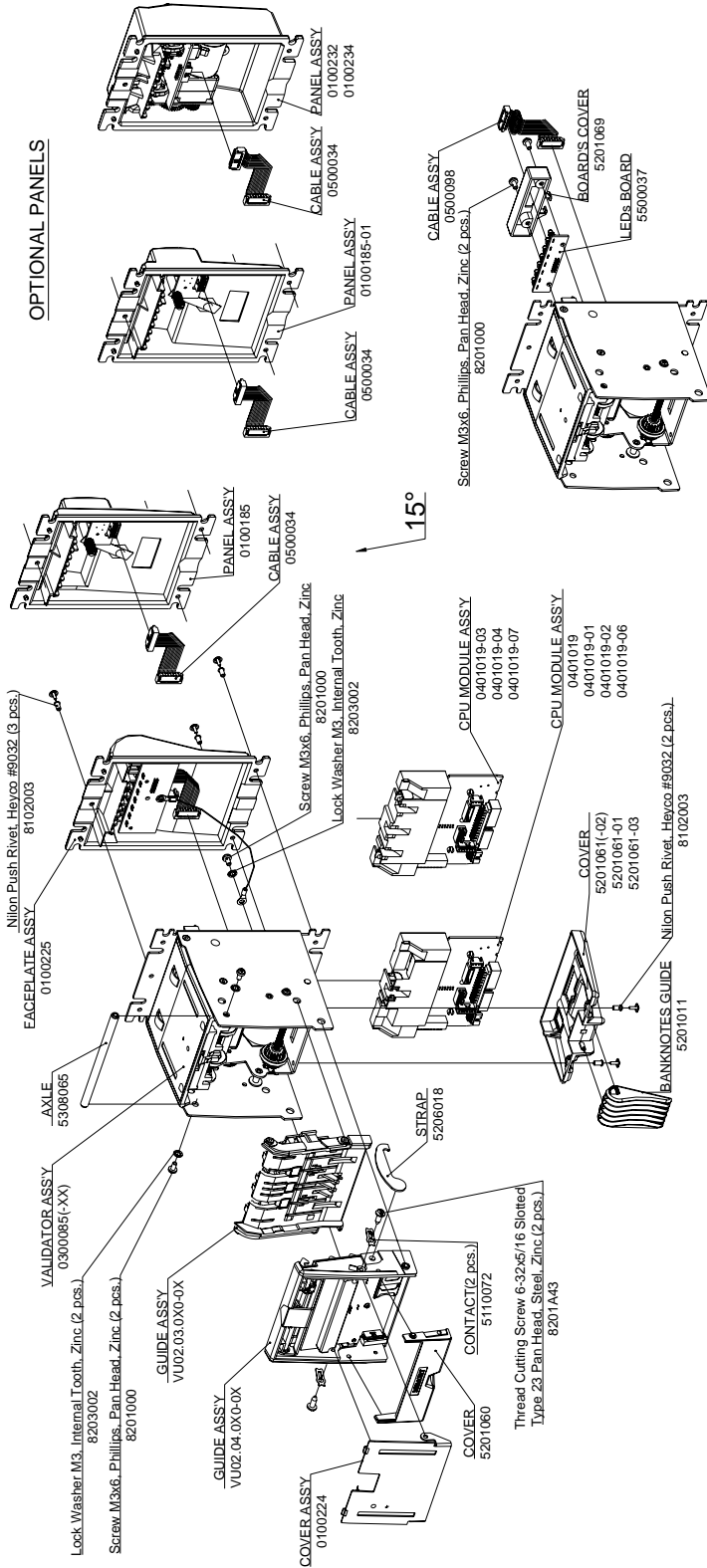
**PART 2  
TESTING AND REPAIR**



## TABLE OF CONTENTS

TABLE OF CONTENTS.....	2
DISASSEMBLY OF VU AND SUBASSEMBLIES.....	32

Exploded view of VU and MVU.



**LIST OF VU AND MVU.**

Item	Part ID#	Part / Assembly Name	Quantity per assembly										
			MVU	MVU+Met F	MVU+MDB	MVU+MDB+Met F	MVU+Smiley	VU	VU-77	VU+MDB	VU-77+MDB		
	0300085	VALIDATOR ASS'Y	1	1									
	0300085-01	VALIDATOR ASS'Y			1	1							
	0300085-02	VALIDATOR ASS'Y					1						
1	0300085-(03-11)	VALIDATOR ASS'Y									1		
	0300085-17	VALIDATOR ASS'Y											1
	0300085-(63-71)	VALIDATOR ASS'Y						1					
	0300085-77	VALIDATOR ASS'Y							1				
2	0100224	COVER ASS'Y	1	1	1	1	1	1	1	1	1	1	1
3		GUIDE ASS'Y	1	1	1	1	1	1	1	1	1	1	1
4		GUIDE ASS'Y	1	1	1	1	1	1	1	1	1	1	1
	0100225	FACEPLATE ASS'Y	1		1								
	0100237	SM/VU Bezel with Card-Reader ASS'Y											
5	0100234	PANEL ASS'Y		1		1							
	0100185	PANEL ASS'Y						1			1		
	0100185-01	PANEL ASS'Y							1			1	
	0100232	PANEL ASS'Y						1			1		
	0401019(-01)	CPU MODULE ASS'Y (ID001/ID003; Cash Code Serial/CCNet)	1	1									
	0401019-02	CPU MODULE ASS'Y (Smiley)					1						
6	0401019-06	CPU MODULE ASS'Y (MDB)			1	1							
	0401019-03(04)	CPU MODULE ASS'Y (ID001/ID003; Cash Code Serial/CCNet)						1	1				
	0401019-07	CPU MODULE ASS'Y (MDB)									1	1	
7	0500034	CABLE ASS'Y		1		1		1	1	1	1	1	1
	0500098	CABLE ASS'Y					1						
8	5500037	LEDs BOARD					1						
9	5201011	BANKNOTES GUIDE	1	1	1	1	1	1	1	1	1	1	1
10	5201060	COVER	1	1	1	1	1	1	1	1	1	1	1

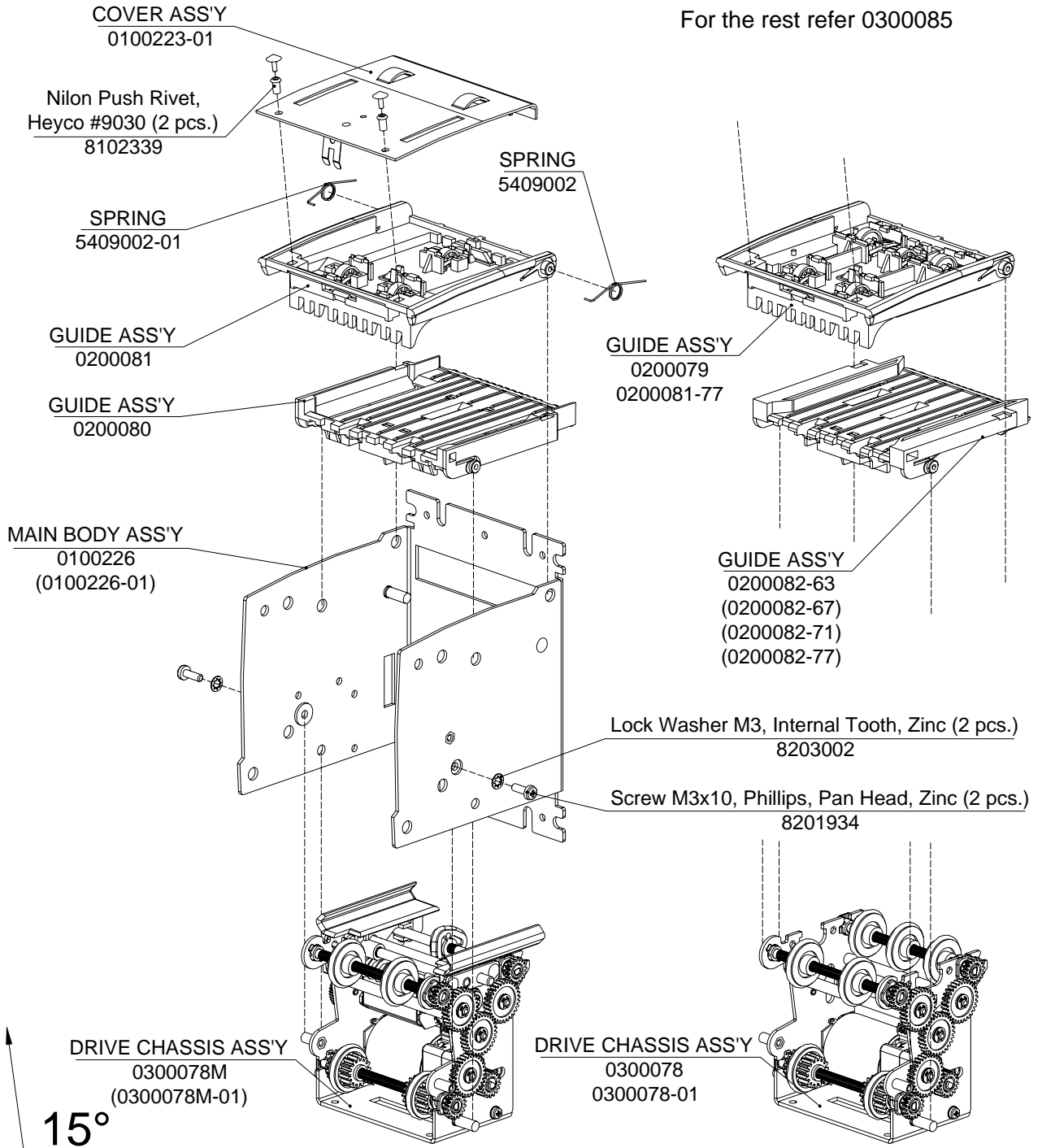
Item	Part ID#	Part / Assembly Name	Quantity per assembly								
			MVU	MVU+Met F	MVU+MDB	MVU+MDB+Met F	MVU+Smiley	VU	VU-77	VU+MDB	VU-77+MDB
11	5308065	AXLE	1	1	1	1	1	1	1	1	1
12	5110072	CONTACT	2	2	2	2	2	2	2	2	2
13	5206018	STRAP	1	1	1	1	1	1	1	1	1
	5201061(-02)	COVER	1	1				1	1		
14	5201061-01	COVER					1				
	5201061-03	COVER			1	1				1	1
15	5201069	BOARD'S COVER					1				
16	8203002	Lock Washer M3, Internal Tooth, Zinc	1	1	1	1	1	1	1	1	1
			2	2	2	2	2	2	2	2	2
17	8102003	Nilon Push Rivet, Heyco #9032	3	3	3	3		3	3	3	3
			2	2	2	2	2	2	2	2	2
18	8201000	Screw M3x6, Phillips, Pan Head, Zinc	1	1	1	1	3	1	1	1	1
			2	2	2	2	2	2	2	2	2
19	8201A43	Thread Cutting Screw 6-32x5/16 Slotted Type 23 Pan Head, Steel, Zinc	2	2	2	2	2	2	2	2	2

**Exploded view of Validator Chassis Assembly (0300085).**

**Device with Alignment  
(0300085(-01,-02))**

**Device without Alignment  
(0300085-03(XX))**

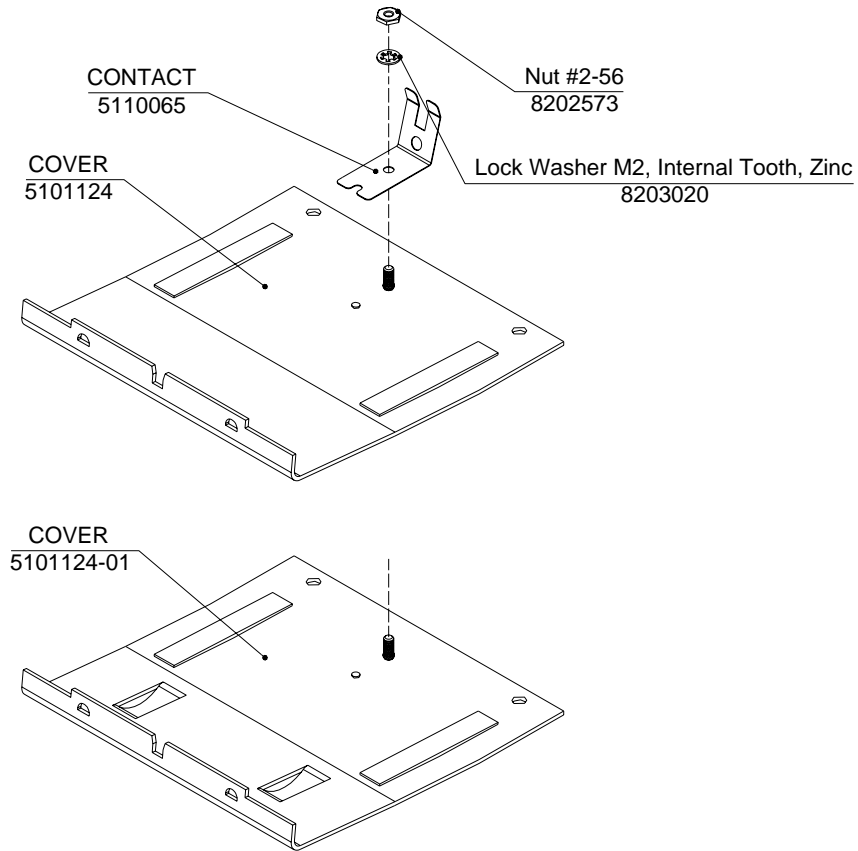
For the rest refer 0300085



**LIST OF SPARE PARTS AND ASSEMBLY FOR Validator Chassis Assembly (0300085).**

Item	Part ID #	Part/Assembly Name	Quantity per assembly										
			0300085	0300085-01	0300085-02	0300085-03	0300085-07	0300085-11	0300085-17	0300085-63	0300085-67	0300085-71	0300085-77
1	0100223-01	COVER ASS'Y	1	1	1	1	1	1	1	1	1	1	1
2	0200081	GUIDE ASS'Y				1	1	1		1	1	1	
2	0200081-77	GUIDE ASS'Y							1				1
2	0200079	GUIDE ASS'Y	1	1	1								
3	0200082-63	GUIDE ASS'Y				1				1			
3	0200082-67	GUIDE ASS'Y					1				1		
3	0200082-71	GUIDE ASS'Y						1				1	
3	0200082-77	GUIDE ASS'Y							1				1
3	0200080	GUIDE ASS'Y	1	1	1								
4	0100226	MAIN BODY ASS'Y	1	1	1								
4	0100226-01	MAIN BODY ASS'Y	1	1		1	1	1	1	1	1	1	1
5	0300078	DRIVE CHASSIS ASS'Y			1								
5	0300078-01	DRIVE CHASSIS ASS'Y								1	1	1	1
5	0300078M	DRIVE CHASSIS ASS'Y				1	1	1	1				
5	0300078M-01	DRIVE CHASSIS ASS'Y	1		1								
6	5409002	SPRING		1									
7	5409002-01	SPRING	1	1	1	1	1	1	1	1	1	1	1
8	8203002	Lock Washer M3, Internal Tooth, Zinc	2	2	2	2	2	2	2	2	2	2	2
9	8102339	Nylon Push Rivet, Heyco #9030	2	2	2	2	2	2	2	2	2	2	2
10	8201934	Screw M3x10, Phillips, Pan Head, Zinc	2	2	2	2	2	2	2	2	2	2	2

### Exploded view of Cover Assembly (0100223).

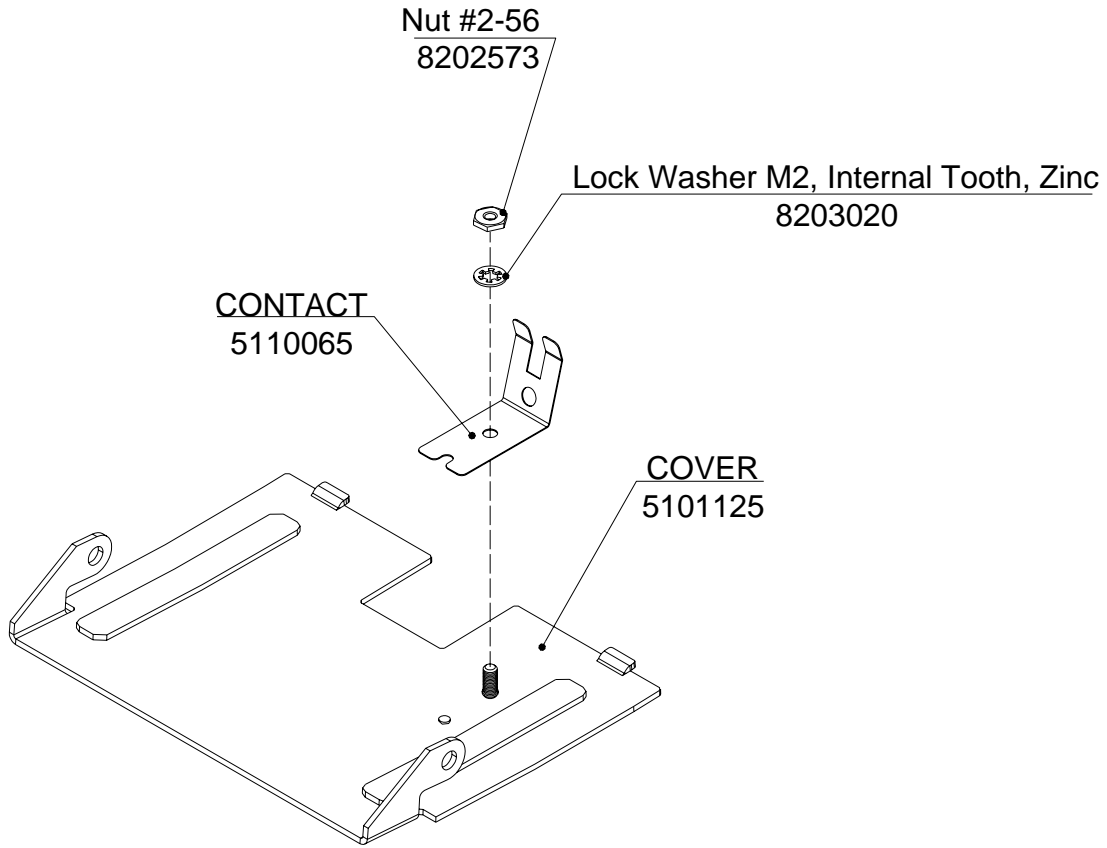


### LIST OF SPARE PARTS Cover Assembly (0100223).

Item	Part ID #	Part/Assembly Name	Quantity per assembly	
			0100223	0100223-01
1	5101124	COVER	1	
1	5101124-01	COVER		1
2	5110065	CONTACT	1	1
3	8203020	Lock Washer M2, Internal Tooth, Zinc	1	1
4	8202573	Nut #2-56	1	1



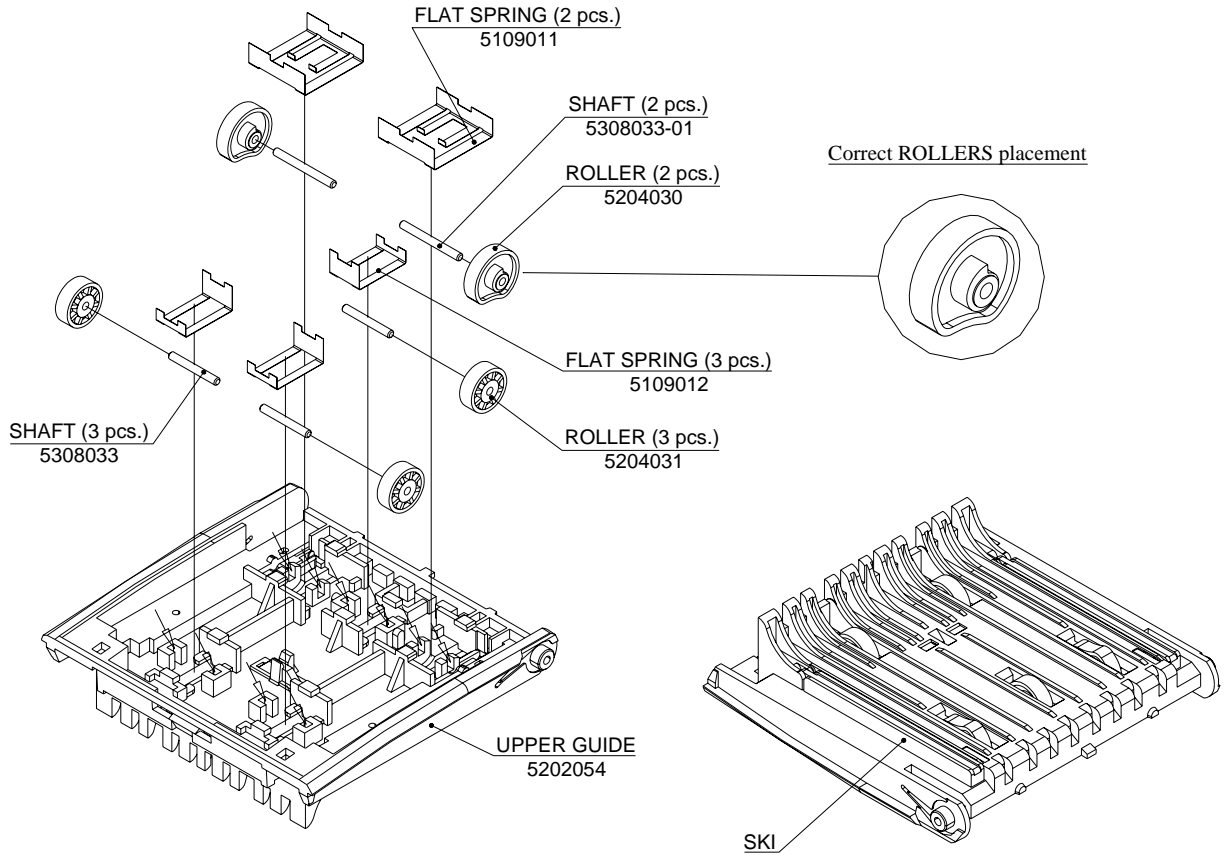
**Exploded view of Cover Assembly (0100224).**



**LIST OF SPARE PARTS Cover Assembly (0100224).**

Item	Part ID #	Part/Assembly Name	Qty
1	5101125	COVER	1
2	5110065	CONTACT	1
3	8203020	Lock Washer M2, Internal Tooth, Zinc	1
4	8202573	Nut #2-56	1

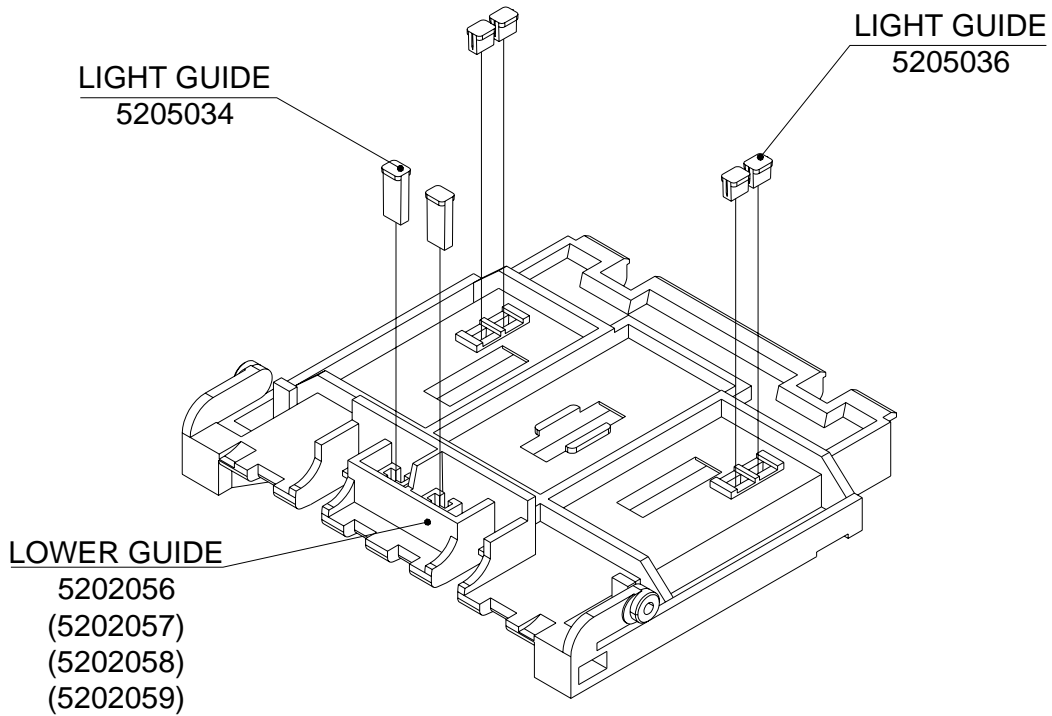
**Exploded view of Upper Guide Assembly (0200081).**



**LIST OF SPARE PARTS Upper Guide Assembly (0200081).**

Item	Part ID #	Part/Assembly Name	Quantity per assembly	
			0200081	0200081-77
1	5204030	ROLLER	2	2
2	5109011	FLAT SPRING	2	2
3	5308033	SHAFT	3	3
4	5308033-01	SHAFT	2	2
5	5204031	ROLLER	3	3
6	5109012	FLAT SPRING	3	3
7	5205014	LIGHT GUIDE	1	1
8	5202054	UPPER GUIDE	1	-
9	5202054	UPPER GUIDE (with ski)	-	1

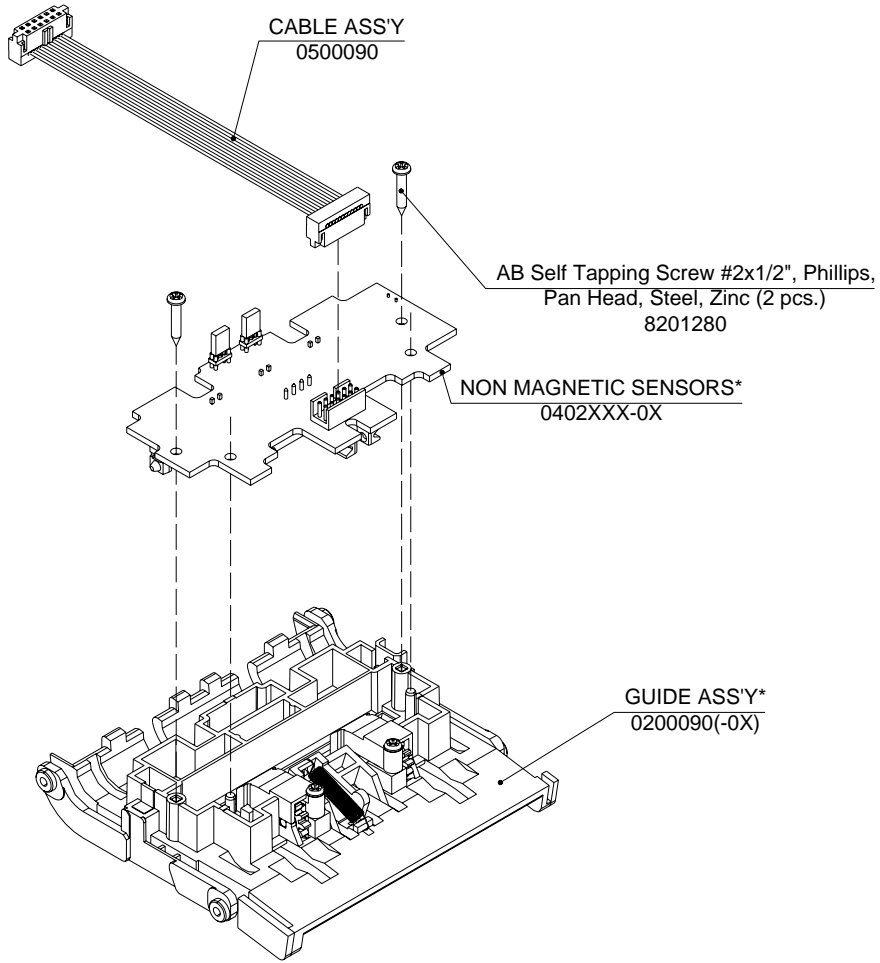
**Exploded view of Lower Guide Assembly (0200082).**



**LIST OF SPARE PARTS Lower Guide Assembly (0200082).**

Item	Part ID #	Part/Assembly Name	Quantity per assembly				
			0200082	0200082-63	0200082-67	0200082-71	0200082-77
1	5202056	LOWER GUIDE		1			
1	5202057	LOWER GUIDE			1		
1	5202058	LOWER GUIDE				1	
1	5202059	LOWER GUIDE					1
2	5205036	LIGHT GUIDE		4	4	4	4
3	5205034	LIGHT GUIDE		2	2	2	2

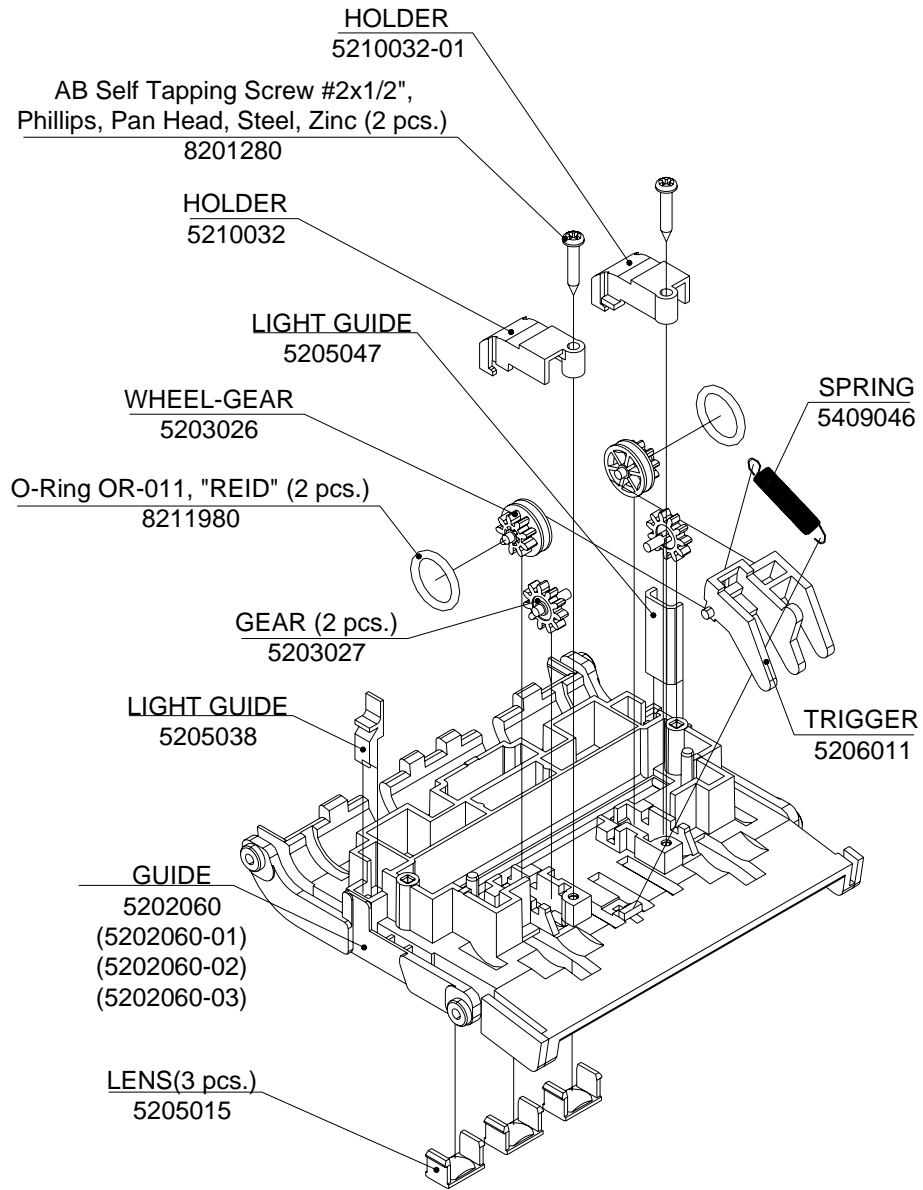
**Exploded view of Guide Assembly.**



**LIST OF SPARE PARTS AND ASSEMBLY FOR Guide Assembly .**

Item	Part ID #	Part/Assembly Name	Quantity per assembly	
			0300083	0300083-0X
1	0200090(-0X)	GUIDE ASS'Y*		1
2	0500090	CABLE ASS'Y		1
3	0402XXX-0X	NON MAGNETIC SENSORS*		1
4	8201280	AB Self Tapping Screw #2x1/2", Phillips, Pan Head, Steel, Zinc		2

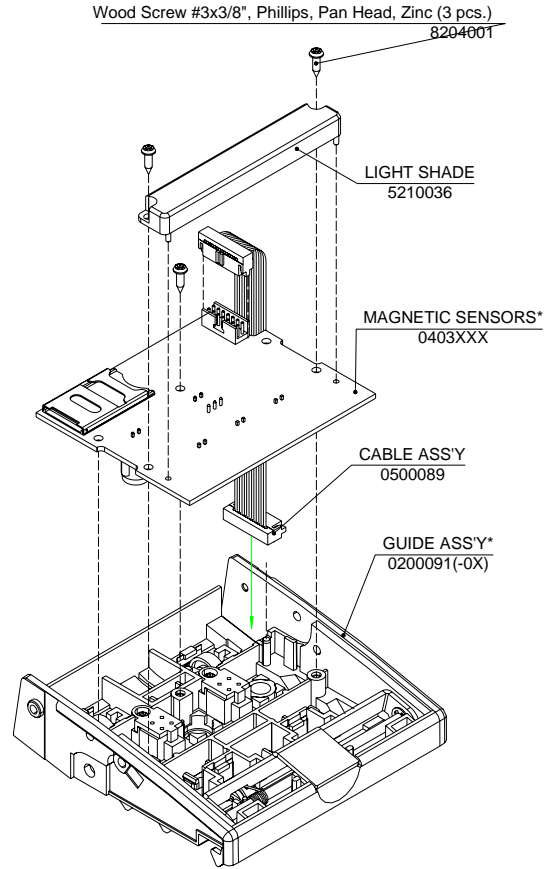
**Exploded view of Guide Assembly (0200090(-0X)).**



**LIST OF SPARE PARTS AND ASSEMBLY FOR Guide Assembly (0200090(-0X)).**

Item	Part ID #	Part/Assembly Name	Quantity per assembly			
			0200090	0200090-01	0200090-02	0200090-03
1	5203026	WHEEL-GEAR	2	2	2	2
2	5203027	GEAR	2	2	2	2
3	5205015	LENS	3	3	3	3
4	5202060	GUIDE (A = 32 mm)	1			
4	5202060-01	GUIDE (A = 36 mm)		1		
4	5202060-02	GUIDE (A = 50 mm)			1	
4	5202060-03	GUIDE (A = 42 mm)				1
5	5205038	LIGHT GUIDE	1	1	1	1
6	5206011	TRIGGER	1	1	1	1
7	5409046	SPRING	1	1	1	1
8	5210032	HOLDER	1	1	1	1
9	5210032	HOLDER	1	1	1	1
10	5205047	LIGHT GUIDE				
11	8201280	AB Self Tapping Screw #2x1/2", Phillips, Pan Head, Steel, Zinc	2	2	2	2
12	8211980	O-Ring OR-011, "REID"	2	2	2	2

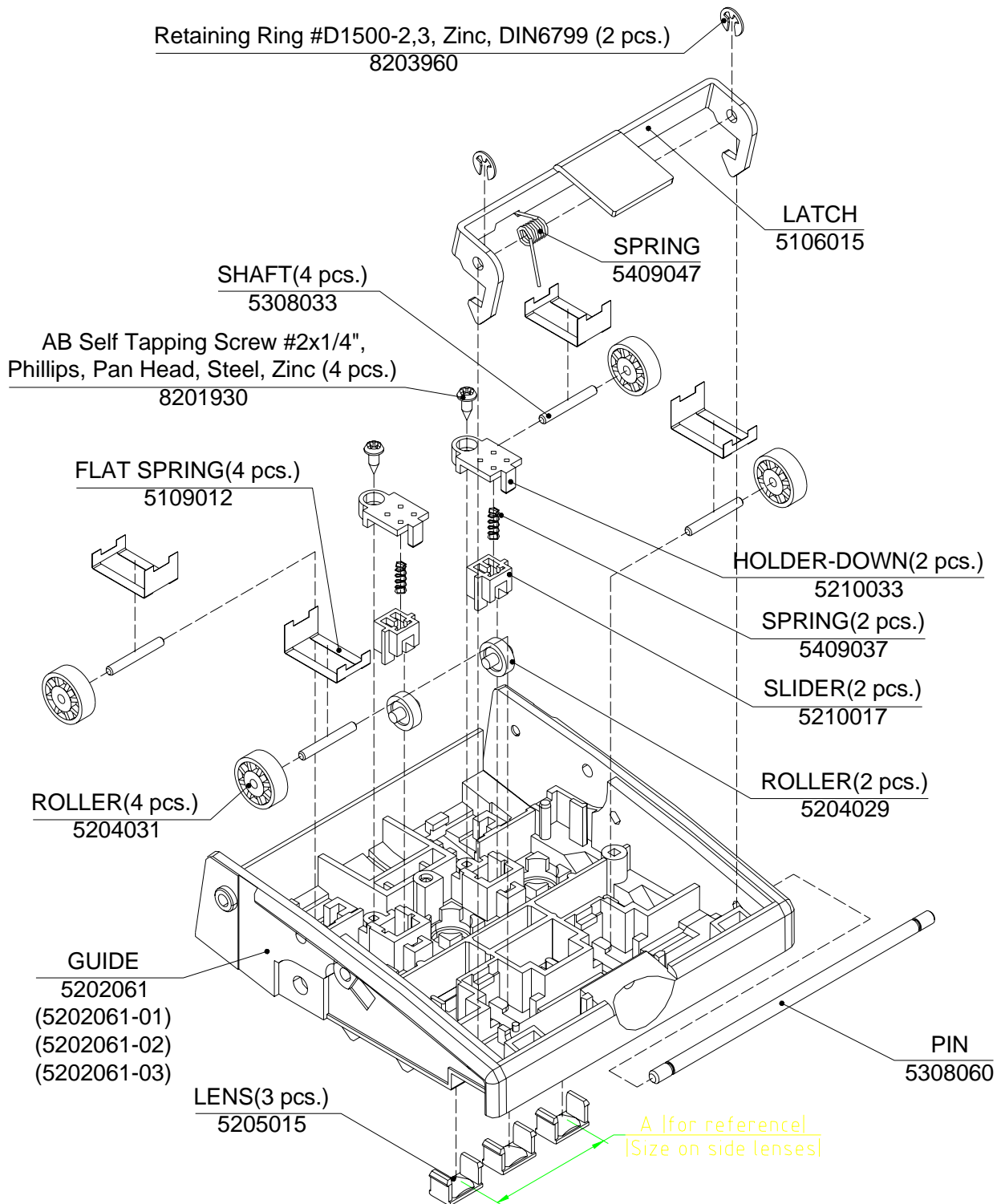
### Exploded view of Guide Assembly.



### LIST OF SPARE PARTS AND ASSEMBLY FOR Guide Assembly.

Item	Part ID #	Part/Assembly Name	Quantity per assembly	
			0200084	0200084-0X
1	0403XXX	MAGNETIC SENSORS*		1
2	0200091(-0X)	GUIDE ASS'Y*		1
3	0500089	CABLE ASS'Y		1
4	5207013	CAP (Fig #...)*		1
5	5210036	LIGHT SHADE		1
6	8204001	Wood Screw #3x3/8",Phillips, Pan Head, Zinc		3

**Exploded view of Guide Assembly (0200091(-XX)).**

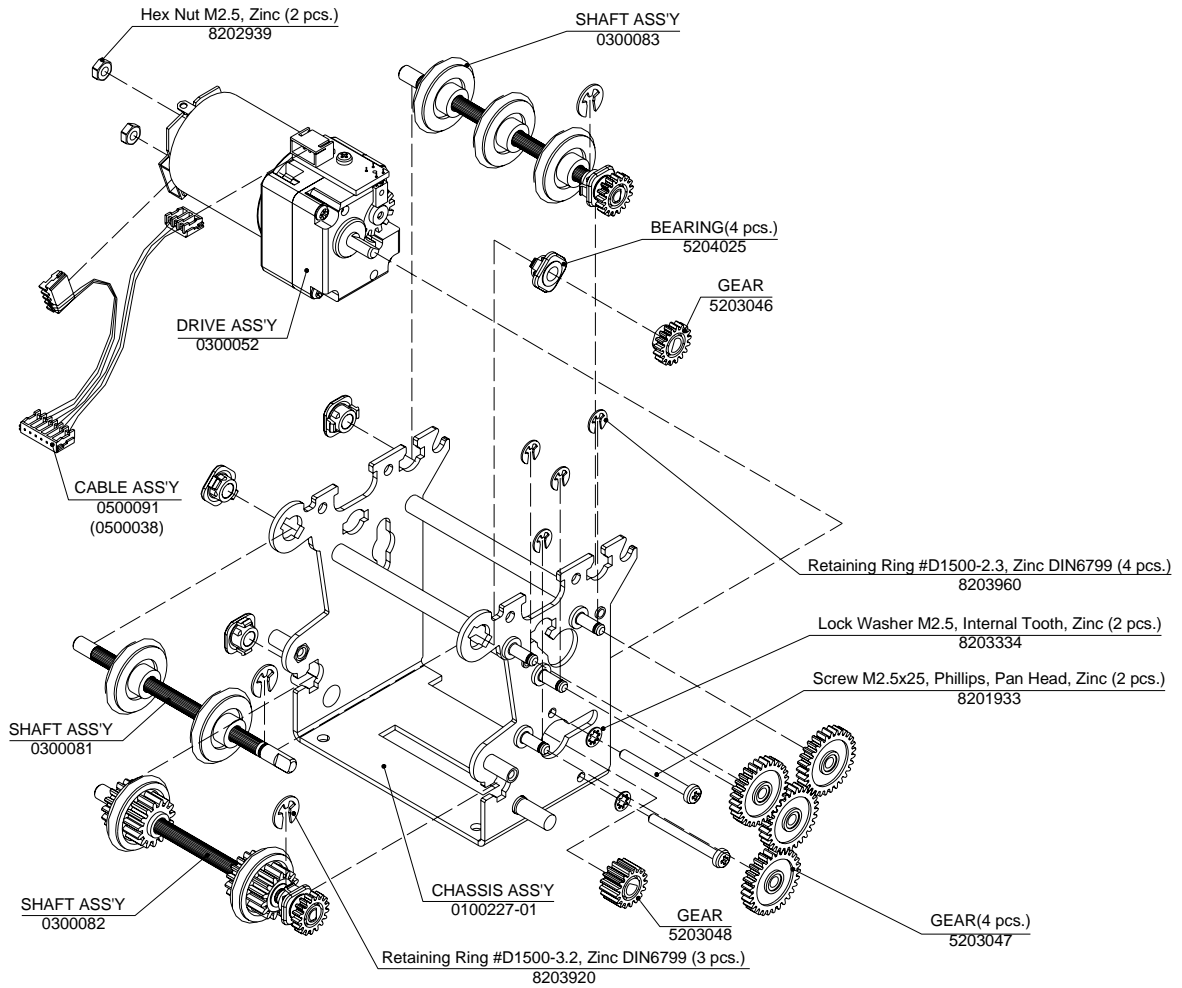




**LIST OF SPARE PARTS AND ASSEMBLY FOR Guide Assembly (0200091(-0X)).**

Item	Part ID #	Part/Assembly Name	Quantity per assembly			
			0200091	0200091-01	0200091-02	0200091-03
1	5204029	ROLLER	2	2	2	2
2	5210017	SLIDER	2	2	2	2
3	5409037	SPRING	2	2	2	2
4	5308033	SHAFT	4	4	4	4
5	5204031	ROLLER	4	4	4	4
6	5109012	FLAT SPRING	4	4	4	4
7	5205015	LENS	3	3	3	3
8	5202061	GUIDE (A = 32 mm)	1			
8	5202061-01	GUIDE (A = 36 mm)		1		
8	5202061-02	GUIDE (A = 50 mm)			1	
8	5202061-03	GUIDE (A = 42 mm)				1
9	5106015	LATCH	1	1	1	1
10	5308060	PIN	1	1	1	1
11	5409047	SPRING	1	1	1	1
12	5210033	HOLDER-DOWN	2	2	2	2
13	8201930	AB Self Tapping Screw #2x1/4", Phillips, Pan Head, Steel, Zinc	2	2	2	2
14	8203960	Retaining Ring #D1500-2,3, Zinc, DIN6799	2	2	2	2

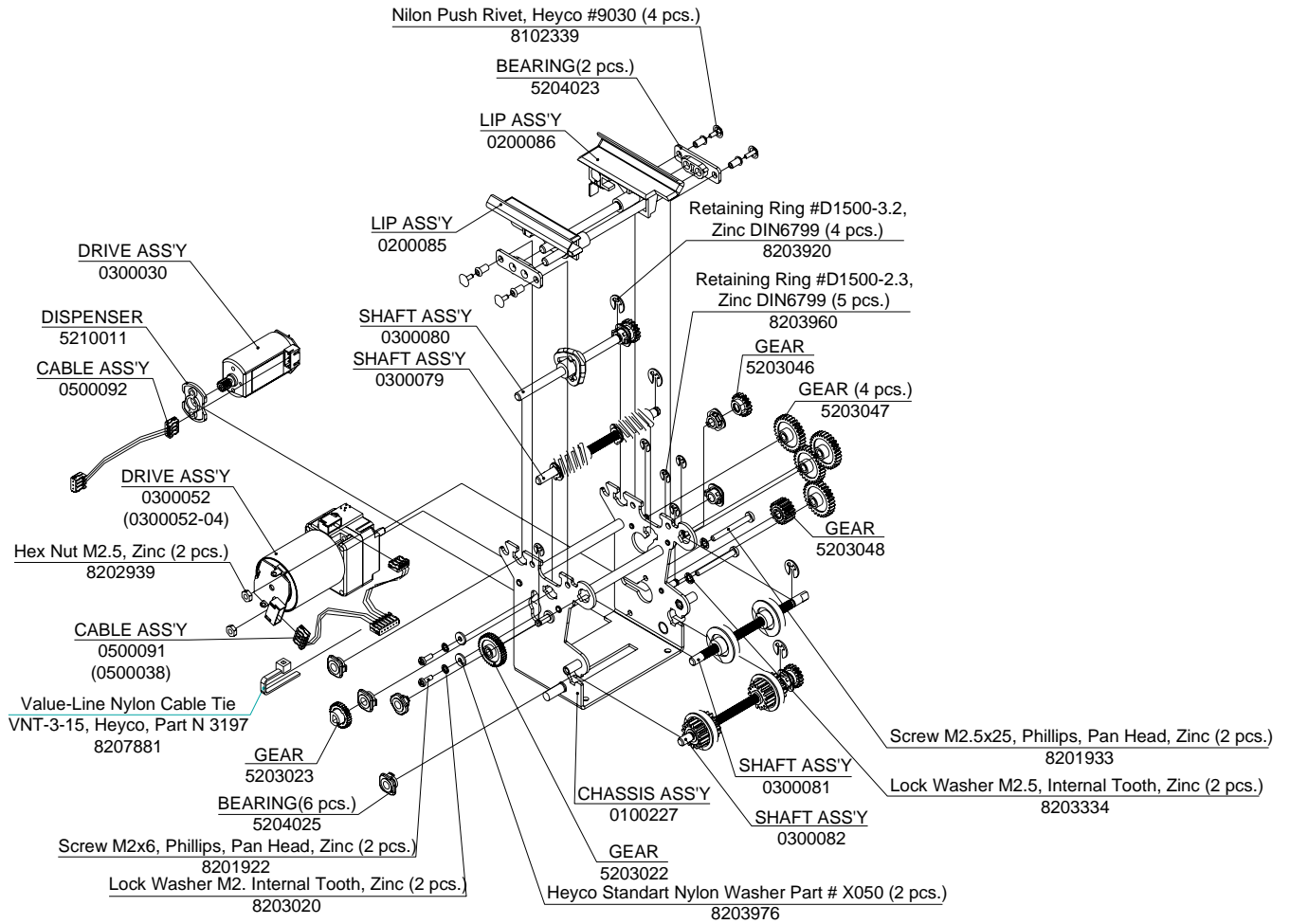
**Exploded view of Chassis Assembly (0300078).**



**LIST OF SPARE PARTS AND ASSEMBLY FOR Chassis Assembly (0300078).**

Item	Part ID #	Part/Assembly Name	Quantity per assembly	
			0300078	0300078-01
1	0300052	DRIVE ASS'Y	1	
1	0300052-04	DRIVE ASS'Y		1
2	0100227-01	CHASSIS ASS'Y	1	1
3	0300081	SHAFT ASS'Y	1	1
4	0300082	SHAFT ASS'Y	1	1
5	0300083	SHAFT ASS'Y	1	1
6	0500091	CABLE ASS'Y	1	
6	0500038	CABLE ASS'Y		1
7	5204025	BEARING	4	4
8	5203046	GEAR	1	1
9	5203047	GEAR	4	4
10	5203048	GEAR	1	1
11	8202939	Hex Nut M2.5, Zinc	2	2
12	8203334	Lock Washer M2.5, Internal Tooth, Zinc	2	2
13	8203960	Retaining Ring #D1500-2.3, Zinc DIN6799	4	4
14	8203920	Retaining Ring #D1500-3.2, Zinc DIN6799	3	3
15	8201933	Screw M2.5x25, Phillips, Pan Head, Zinc	2	2

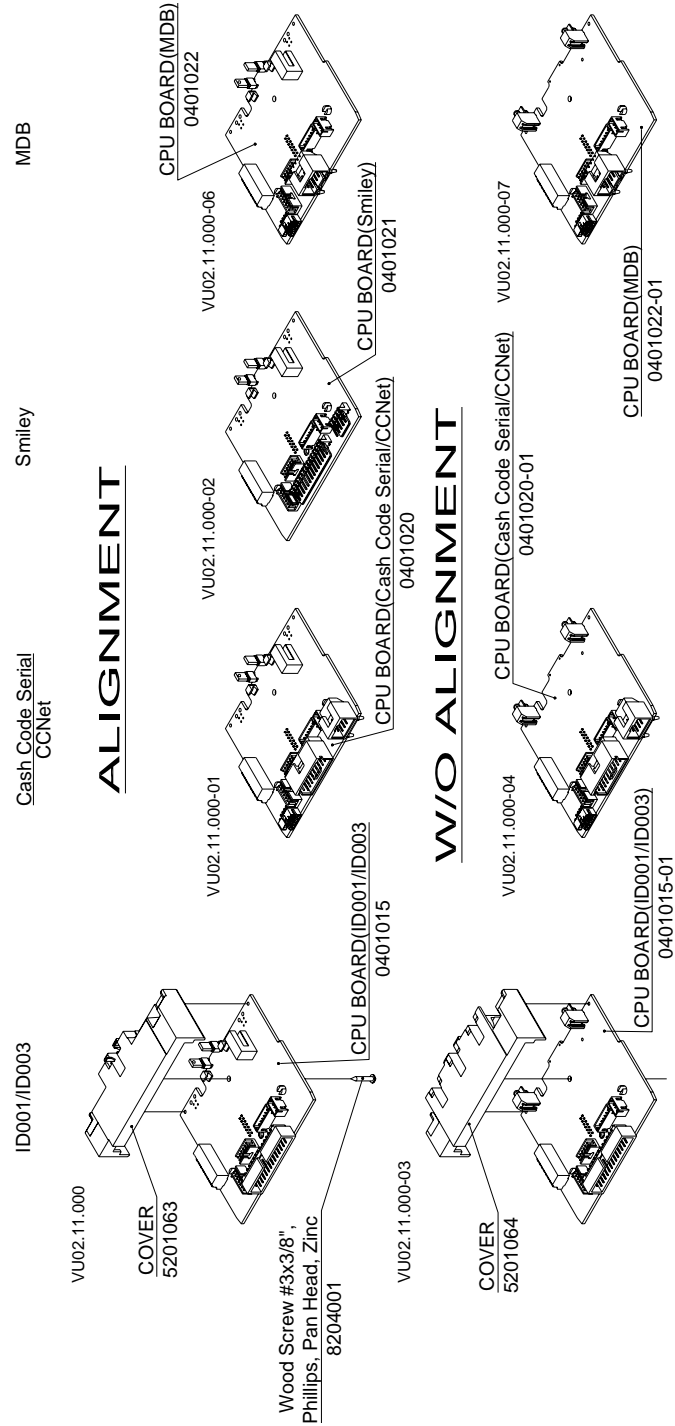
## Exploded view of Chassis Assembly (0300078M).



**LIST OF SPARE PARTS AND ASSEMBLY FOR Chassis Assembly (0300078M).**

Item	Part ID #	Part/Assembly Name	Quantity per assembly	
			0300078M	0300078M-01
1	0300052	DRIVE ASS'Y	1	
1	0300052-04	DRIVE ASS'Y		1
2	0300030	DRIVE ASS'Y	1	1
3	0100227	CHASSIS ASS'Y	1	1
4	0300079	SHAFT ASS'Y	1	1
5	0300080	SHAFT ASS'Y	1	1
6	0200085	LIP ASS'Y	1	1
7	0200086	LIP ASS'Y	1	1
8	0300081	SHAFT ASS'Y	1	1
9	0300082	SHAFT ASS'Y	1	1
10	0500092	CABLE ASS'Y	1	1
11	0500091	CABLE ASS'Y	1	
11	0500038	CABLE ASS'Y		1
12	5203022	GEAR	1	1
13	5210011	DISPENSER	1	1
14	5204023	BEARING	2	2
15	5203023	GEAR	1	1
16	5204025	BEARING	6	6
17	5203046	GEAR	1	1
18	5203047	GEAR	4	4
19	5203048	GEAR	1	1
20	8202939	Hex Nut M2.5, Zinc	2	2
21	8203976	Heyco Standart Nylon Washer Part # X050	2	2
22	8203020	Lock Washer M2. Internal Tooth, Zinc	2	2
23	8203334	Lock Washer M2.5, Internal Tooth, Zinc	2	2
24	8102339	Nilon Push Rivet, Heyco #9030	4	4
25	8203960	Retaining Ring #D1500-2.3, Zinc DIN6799	5	5
26	8203920	Retaining Ring #D1500-3.2, Zinc DIN6799	4	4
27	8201933	Screw M2.5x25, Phillips, Pan Head, Zinc	2	2
28	8201922	Screw M2x6, Phillips, Pan Head, Zinc	2	2
30	8207881	Value-Line Nylon Cable Tie VNT-3-15, Heyco, Part N 3197	1	1

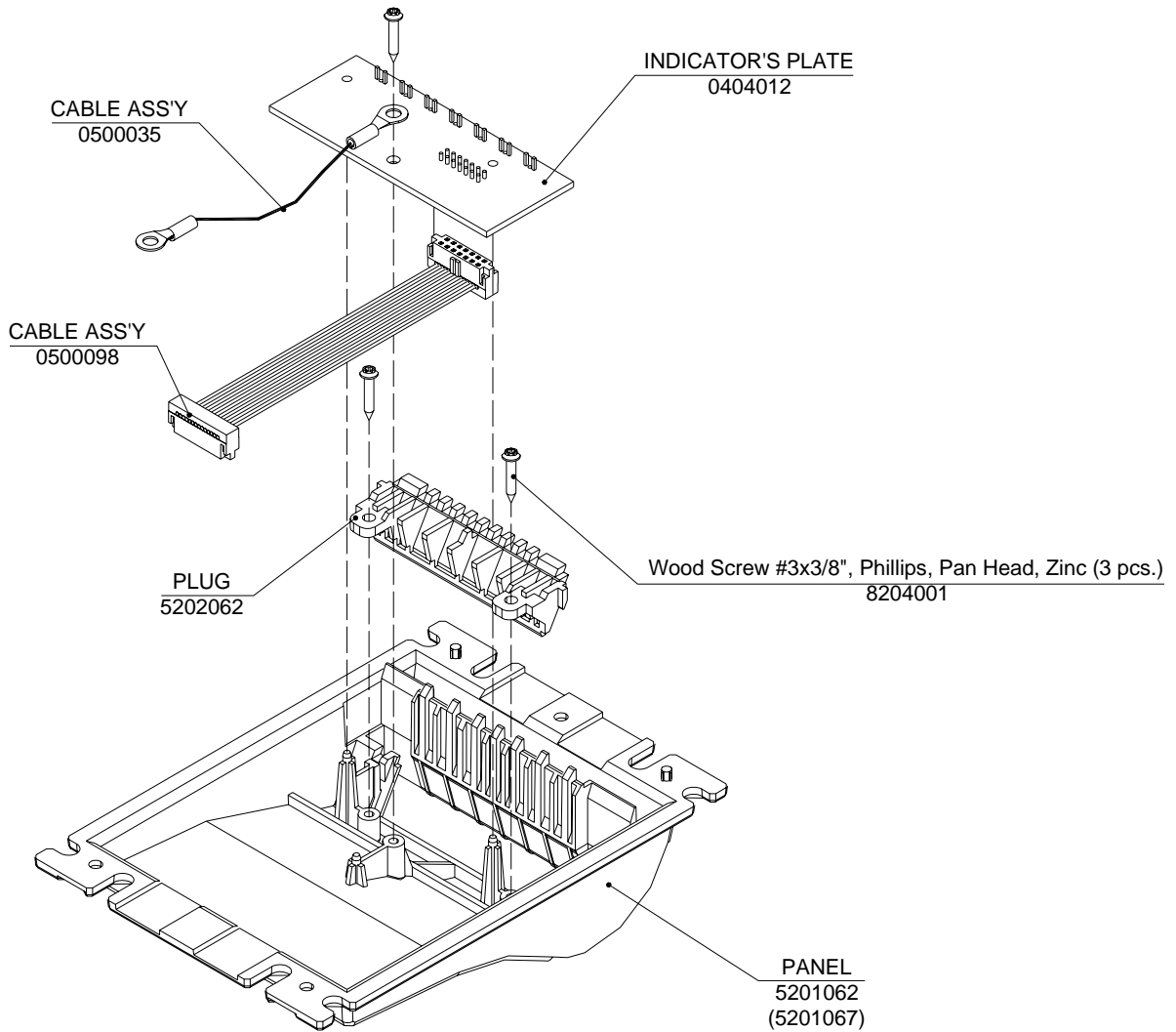
Exploded view of CPU Module Assembly (0401019).



**LIST OF SPARE PARTS AND ASSEMBLY FOR CPU Module Assembly (0401019).**

Item	Part ID #	Part/Assembly Name	Quantity per assembly						
			0401019	0401019-01	0401019-02	0401019-03	0401019-04	0401019-06	0401019-07
1	0401015	CPU BOARD(ID001/ID003)	1						
1	0401020	CPU BOARD(Cash Code Serial/CCNet)		1					
1	0401021	CPU BOARD (Smiley)			1				
1	0401015-01	CPU BOARD (ID001/ID003)				1			
1	0401020-01	CPU BOARD(Cash Code Serial/CCNet)					1		
1	0401022	CPU BOARD(MDB)						1	
1	0401022-01	CPU BOARD(MDB)							1
2	5201063	COVER	1	1	1			1	
2	5201064	COVER				1	1		1
3	8204001	Wood Screw #3x3/8", Phillips, Pan Head, Zinc	1	1	1	1	1	1	1

**Exploded view of Panel Assembly (0100225).**

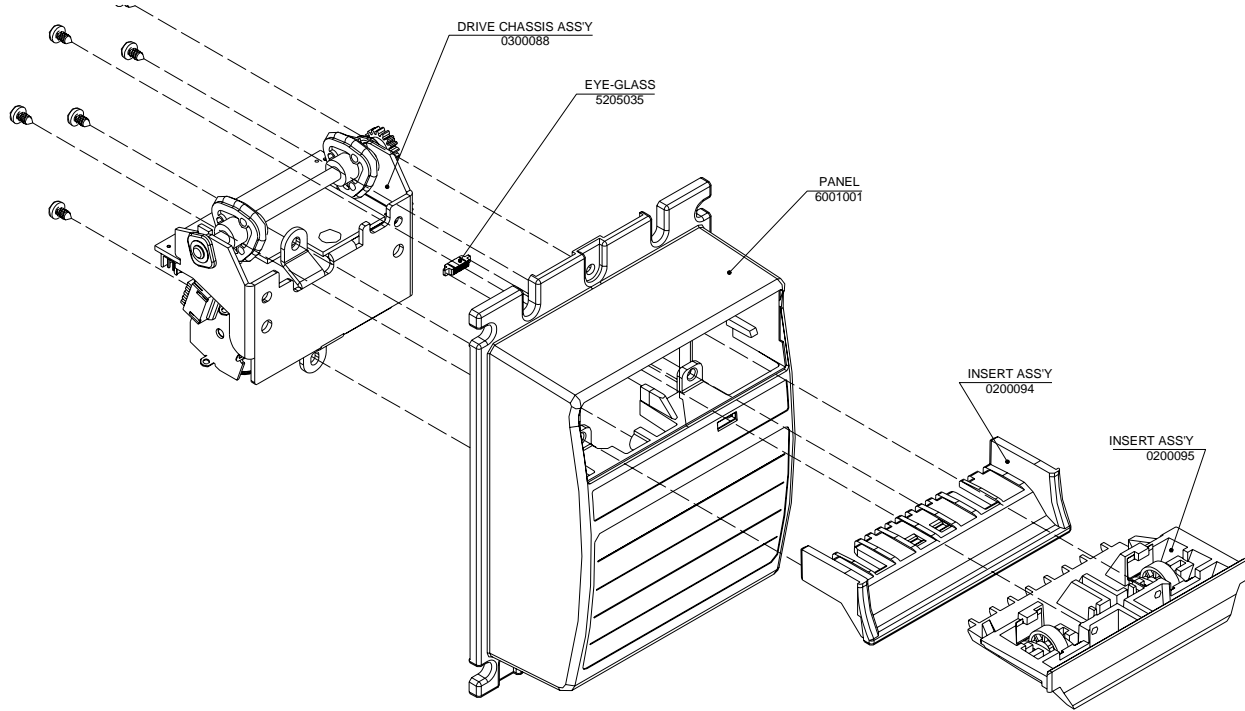


**LIST OF SPARE PARTS AND ASSEMBLY FOR Panel Assembly (0100225).**

Item	Part ID #	Part/Assembly Name	Qty
1	0500035	CABLE ASS'Y	1
2	0404012	INDICATOR'S PLATE	1
3	0500098	CABLE ASS'Y	1
4	5201062	PANEL	1
4*	5201067	PANEL	1
5	5202062	PLUG	1
6	8204001	Wood Screw #3x3/8", Phillips, Pan Head, Zinc	3



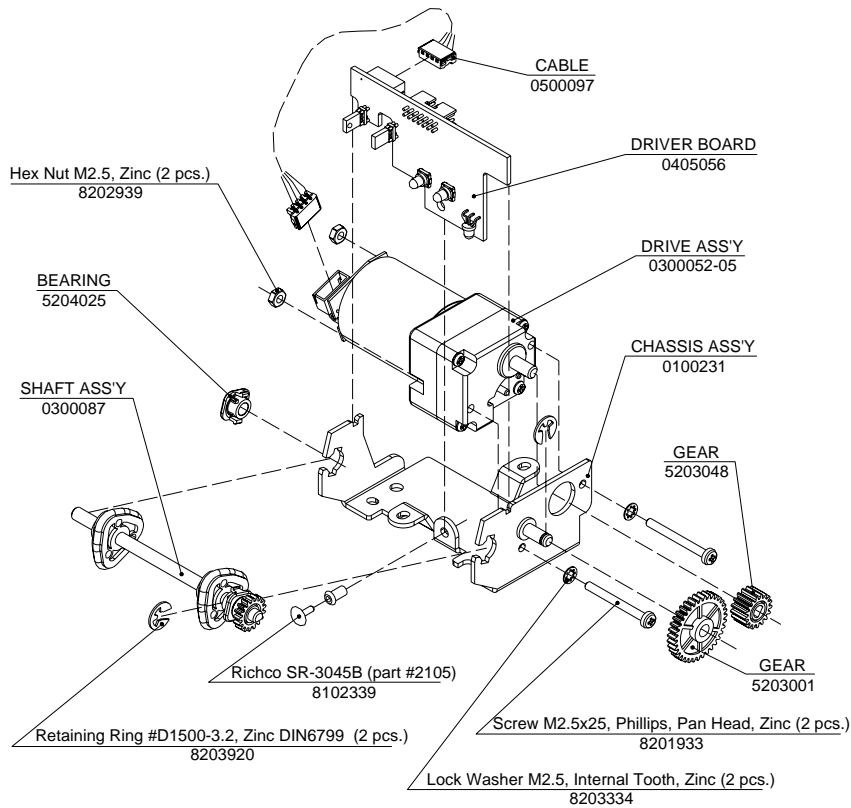
**Exploded view of Panel Assembly (0100232).**



**LIST OF SPARE PARTS FOR PANEL ASS'Y ASS'Y (0100232).**

Item	Part ID #	Part/Assembly Name	Quantity
1	0200094	INSERT ASS'Y	1
2	0200095	INSERT ASS'Y	1
3	0300088	DRIVE CHASSIS ASS'Y	1
4	5205035	EYE-GLASS	1
5	6001001	PANEL	1
6	8201010	Tapping Screw #4-1/4",AB, Phillips, Pan Head, Zinc	6

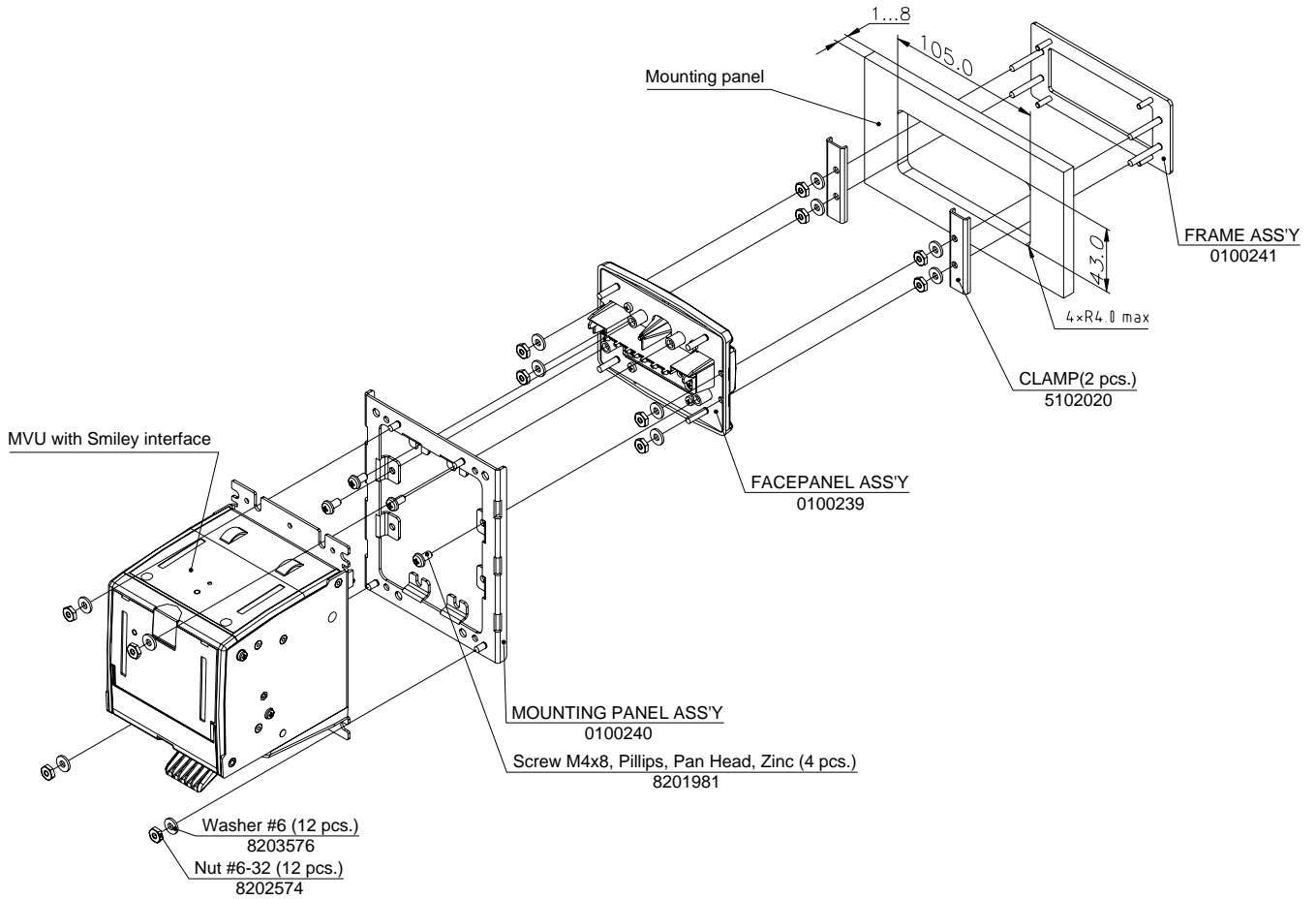
## Exploded view of DRIVE CHASSIS ASSEMBLY (0300088).



### LIST OF SPARE PARTS FOR DRIVE CHASSIS ASS'Y (0300088).

Item	Part ID #	Part/Assembly Name	Qty
1	0300052-05	DRIVE ASS'Y	1
2	0300087	SHAFT ASS'Y	1
3	0100231	CHASSIS ASS'Y	1
4	0405056	DRIVER BOARD	1
5	0500097	CABLE	1
6	5203001	GEAR	1
7	5204025	BEARING	1
8	5203048	GEAR	2
9	8202939	Hex Nut M2.5, Zinc	2
10	8203334	Lock Washer M2.5, Internal Tooth, Zinc	1
11	8203920	Retaining Ring #D1500-3.2, Zinc DIN6799	1
12	8102339	Richco Snap Rivet SR-3045B RMS#21	1
13	8201933	Screw M2.5x25, Phillips, Pan Head, Zinc	2
14	8412006	Super Lube with Syncolon (PTFE)	

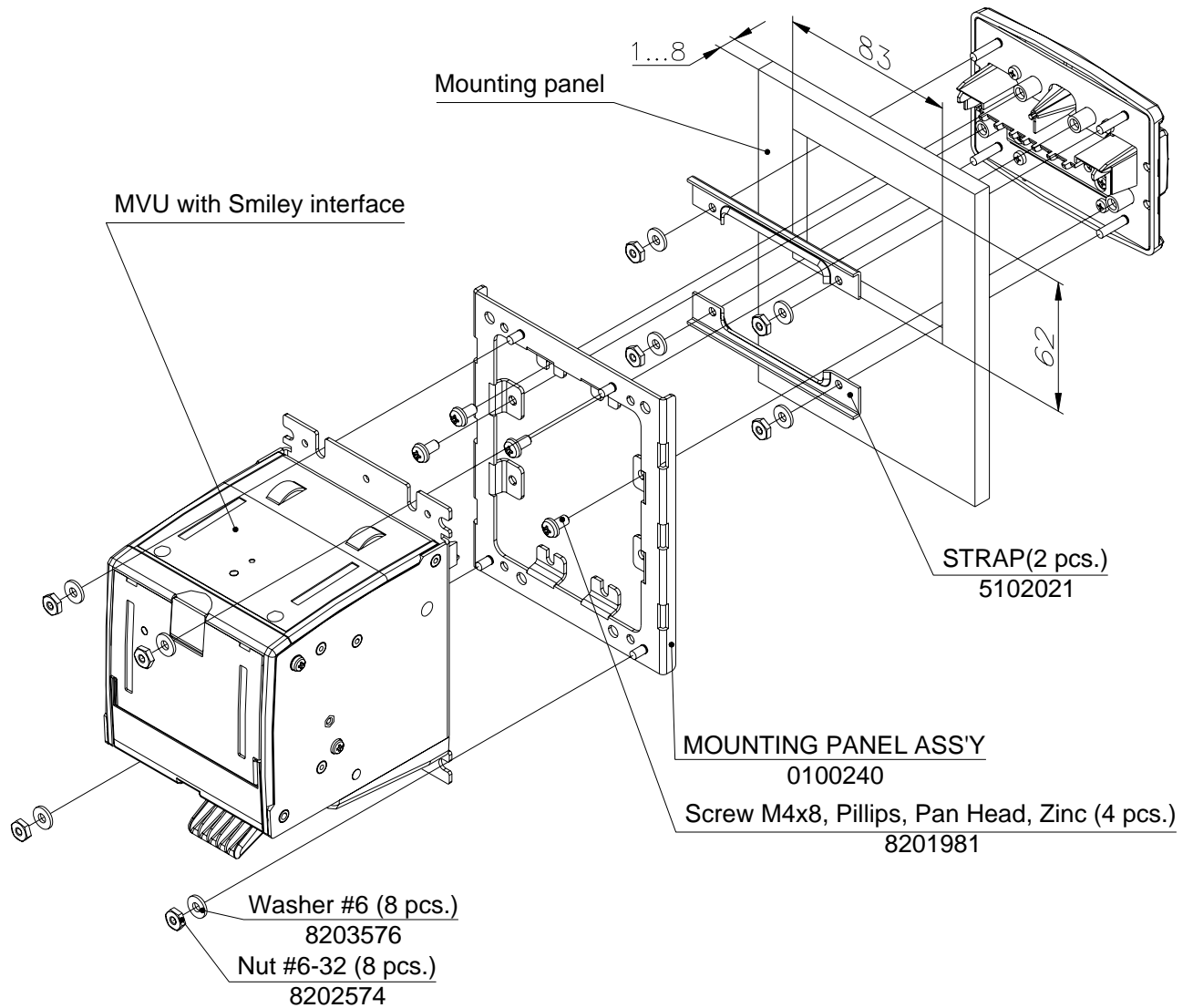
**Exploded view of Mini Bezel Internal Installation ASSEMBLY (0100250).**



**LIST OF SPARE PARTS FOR Mini Bezel Internal Installation ASS'Y (0100250).**

Item	Part ID #	Part/Assembly Name	Qty
1	0100239	FACEPANEL ASS'Y	1
2	0100240	MOUNTING PANEL ASS'Y	1
3	0100241	FRAME ASS'Y	1
4	5102020	CLAMP	2
5	8201981	Screw M4x8, Phillips, Pan Head, Zinc	4
6	8202574	Nut #6-32	12
7	8203576	Washer #6	12

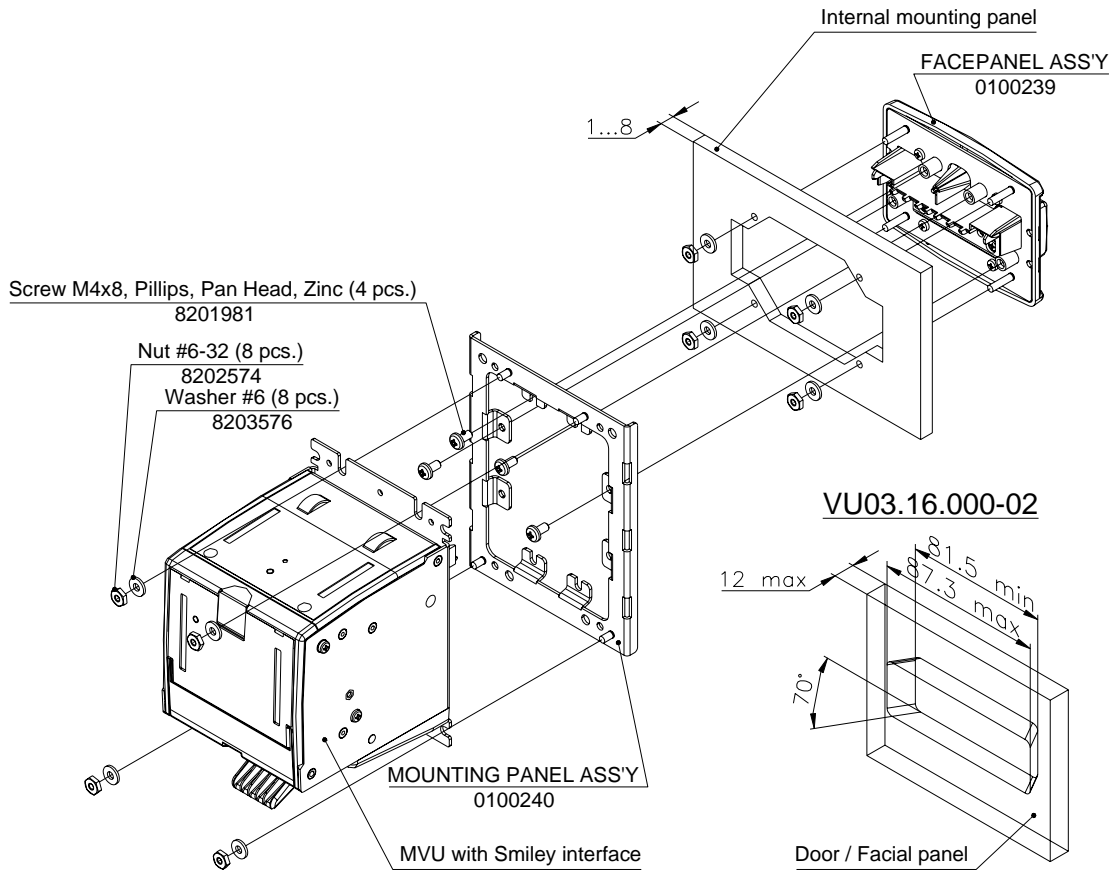
**Exploded view of Mini Bezel Exterior Installation ASSEMBLY (0100250-01).**



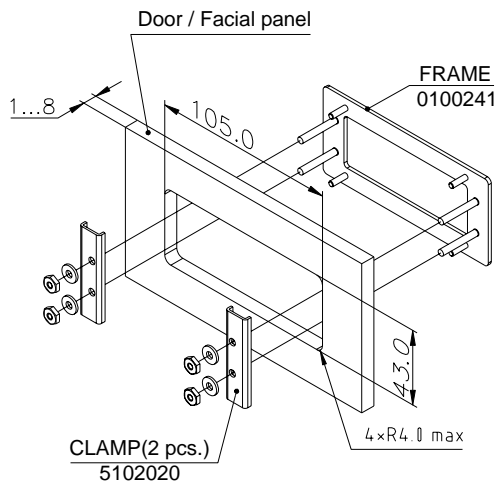
**LIST OF SPARE PARTS FOR Mini Bezel Exterior Installation ASS'Y (0100250-01).**

Item	Part ID #	Part/Assembly Name	Qty
1	0100239-01	FACEPANEL ASS'Y	1
2	0100240	MOUNTING PANEL ASS'Y	1
3	5102021	STRAP	2
4	8201981	Screw M4x8, Phillips, Pan Head, Zinc	4
5	8202574	Nut #6-32	8
6	8203576	Washer #6	8

**Exploded view of Mini Bezel Exterior Installation ASSEMBLY (0100250-02).**



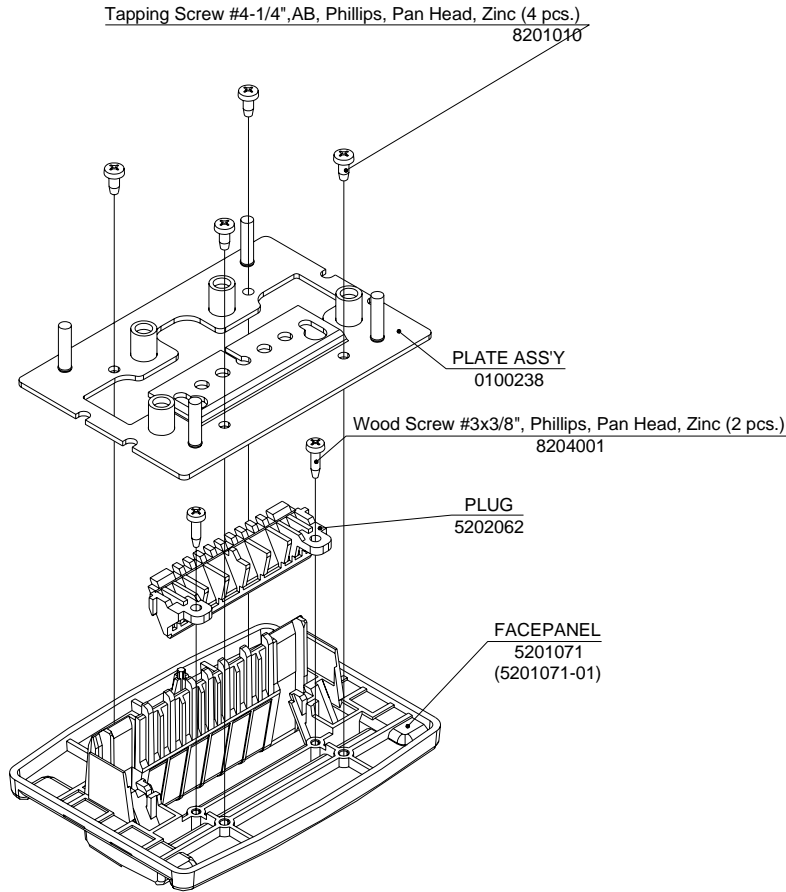
**VU03.16.000-02.1**



**LIST OF SPARE PARTS FOR Mini Bezel Exterior Installation ASS'Y (0100250-02).**

Item	Part ID #	Part/Assembly Name	Quantity per assembly	
			0100239	0100239-01
1	0100238	PLATE ASS'Y	1	1
2	5201071	FACEPANEL	1	
2	5201071-01	FACEPANEL		1
3	5202062	PLUG	1	1
4	8201010	Tapping Screw #4-1/4", AB, Phillips, Pan Head,Zinc	4	4
5	8204001	Wood Screw #3x3/8", Phillips, Pan Head, Zinc	2	2

**Exploded view of FACEPANEL ASSEMBLY (0100239).**



**LIST OF SPARE PARTS FOR FACEPANEL ASS'Y (0100239).**

Item	Part ID #	Part/Assembly Name	Quantity per assembly	
			0100250-02	0100250-02.1
1	0100239	FACEPANEL ASS'Y	1	1
2	0100240	MOUNTING PANEL ASS'Y	1	1
3	0100241	FRAME		1
4	5102020	CLAMP		2
5	8201981	Screw M4x8, Phillips, Pan Head, Zinc	4	4
6	8202574	Nut #6-32	8	12
7	8203576	Washer #6	8	12

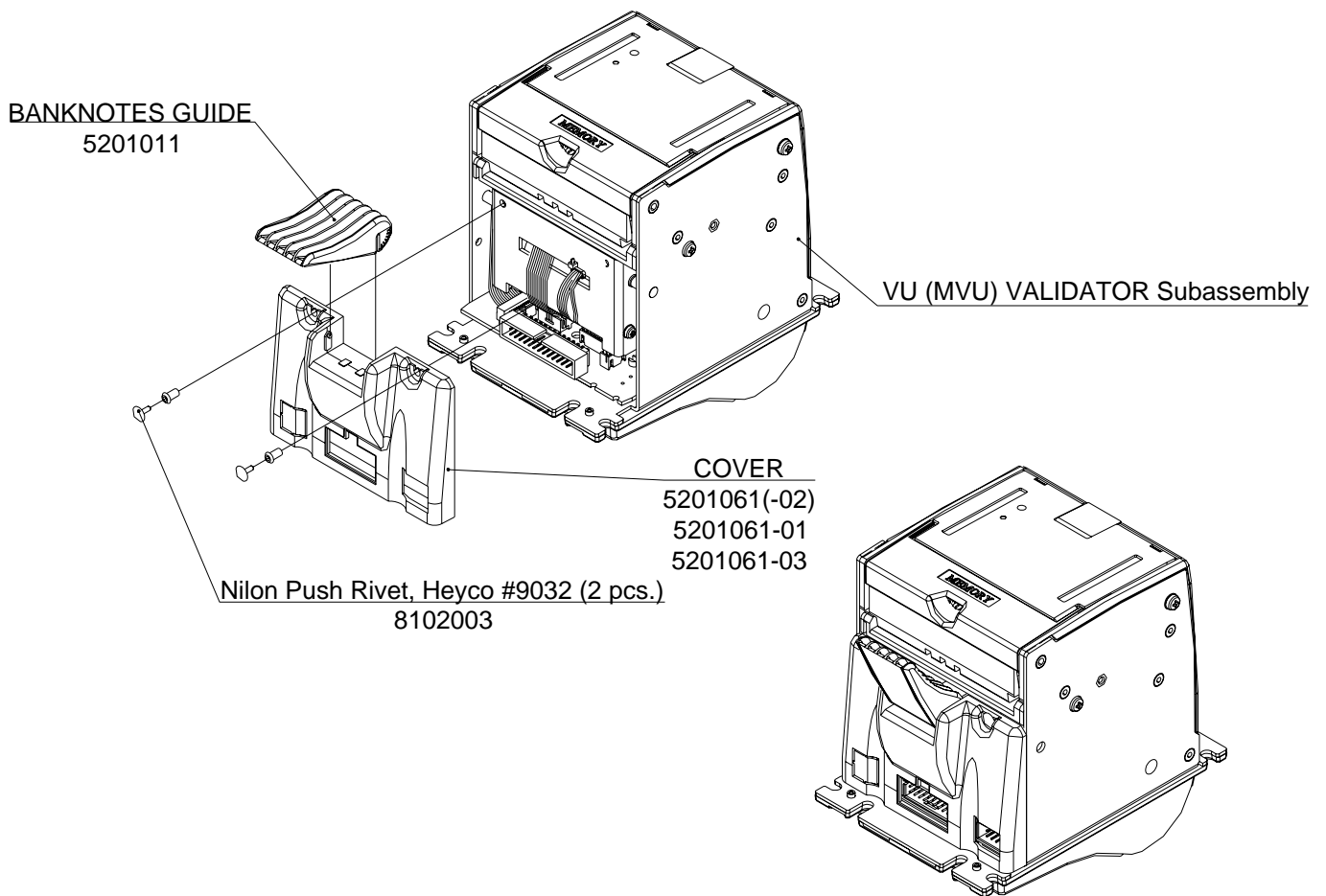
**Tools required:**

- Flat screwdriver
- Torque wrench
- Philips screwdriver #1
- Extractor 5110050
- Hex nut wrench (5.5 mm)
- Tweezers
- Hook
- Applicator Tools for DIN6799 #877-324,
- Applicator Tool for VU01.05.001

**DISASSEMBLY OF VU AND MVU**

**Step 1**

- Pull out 2 nylon push rivets
- Remove cover and banknotes guide.

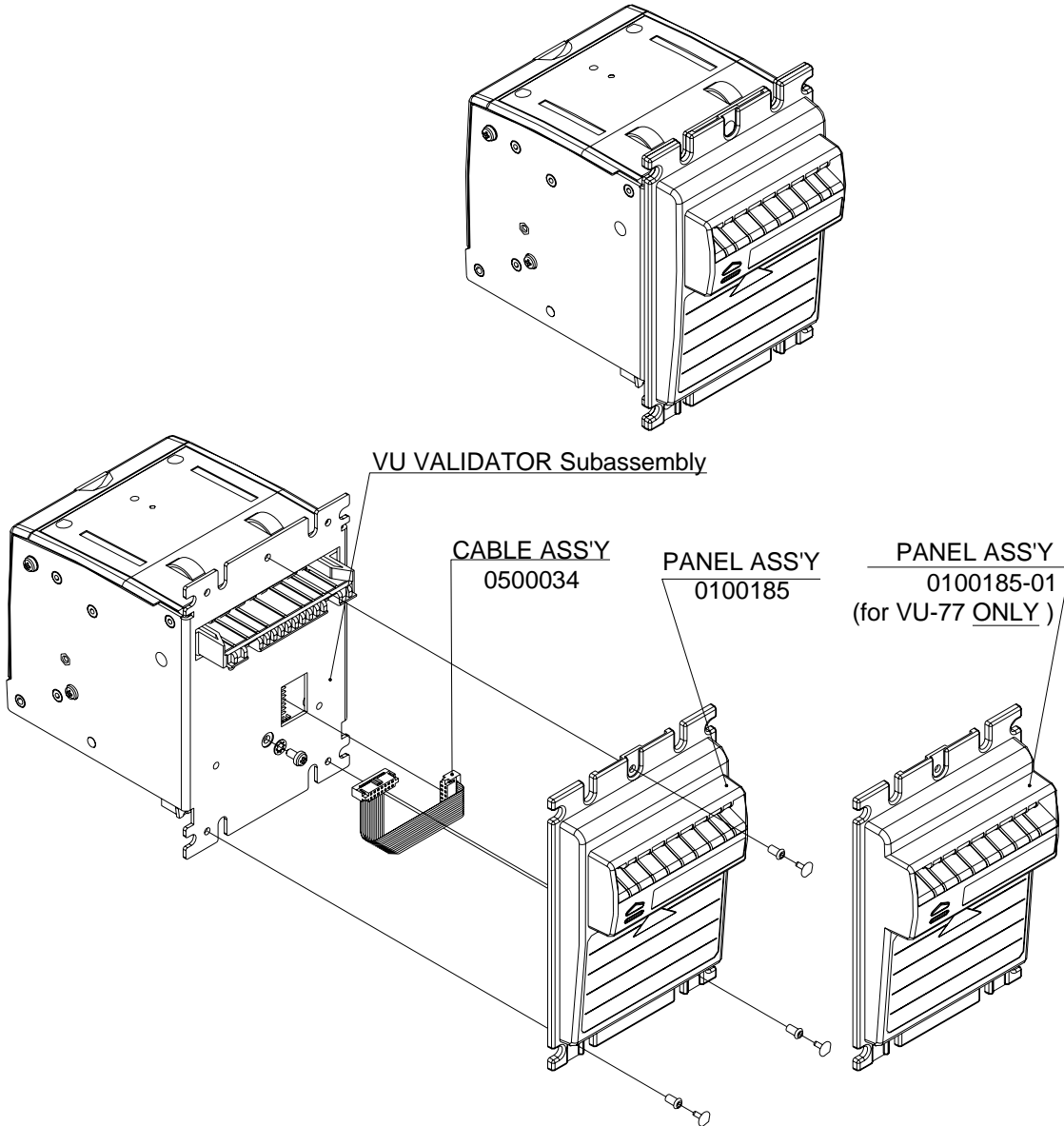




## Disassembly of VU Validator subassemblies with Plastic Panel.

### Step 1

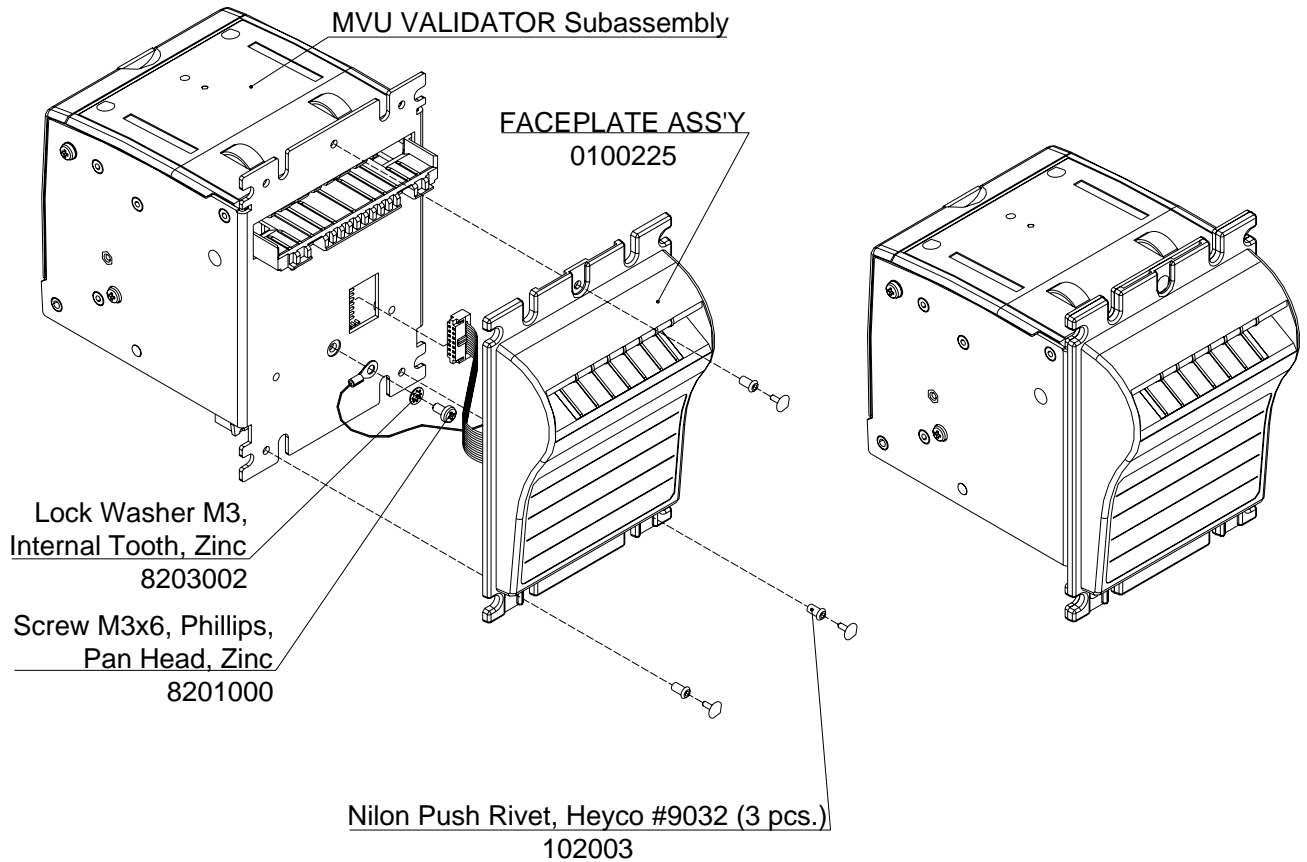
- Pull out 3 nylon push rivets
- Remove bezel
- Disconnect the cable



## Disassembly of MVU Validator subassemblies with Plastic Panel.

### Step 1

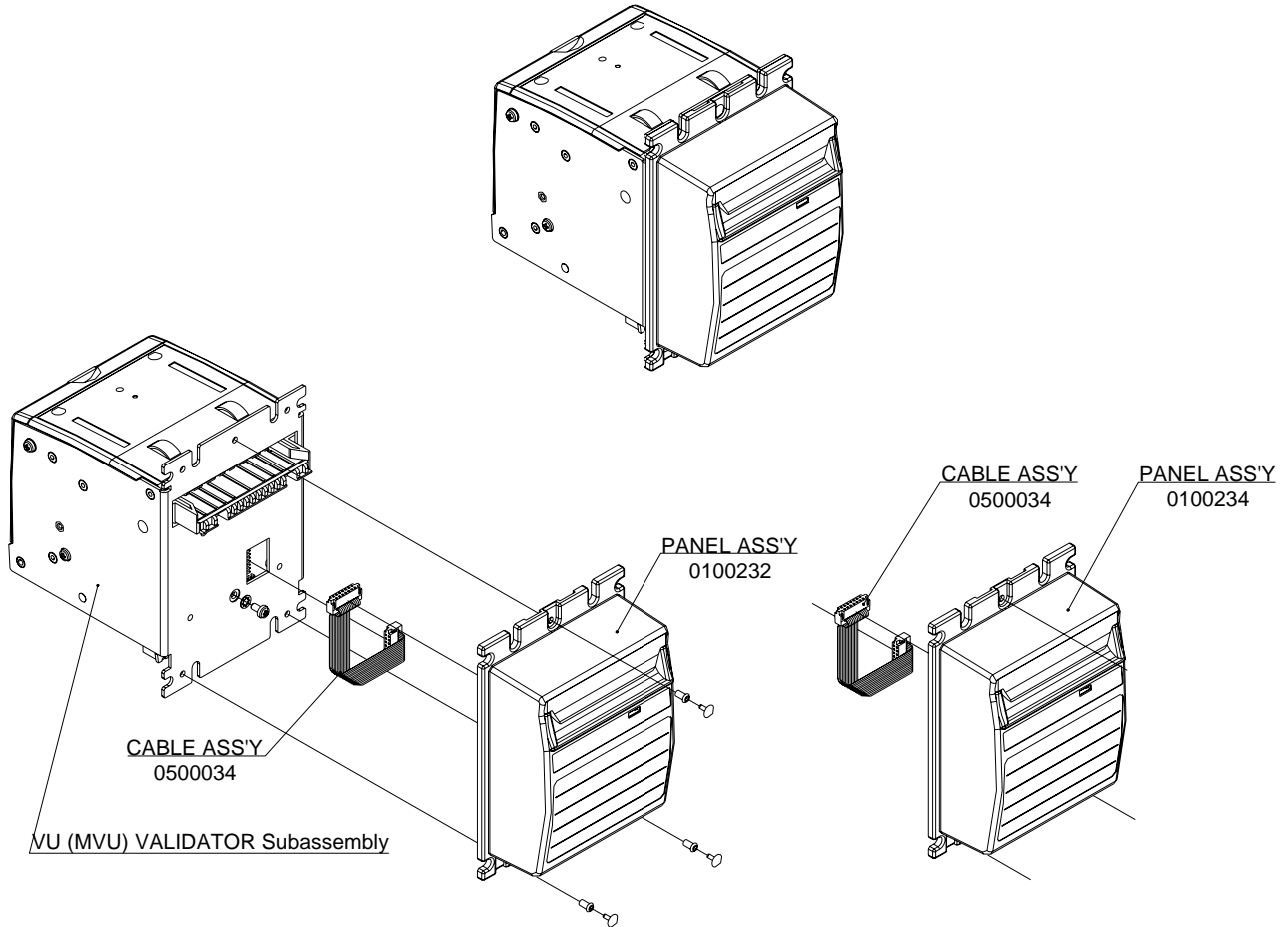
- Pull out 3 nylon push rivets
- Remove bezel
- Disconnect the cable
- Remove screw M3x6 and Lock Washer



## Disassembly of VU and MVU Validator subassemblies with Metal Panel.

### Step 1

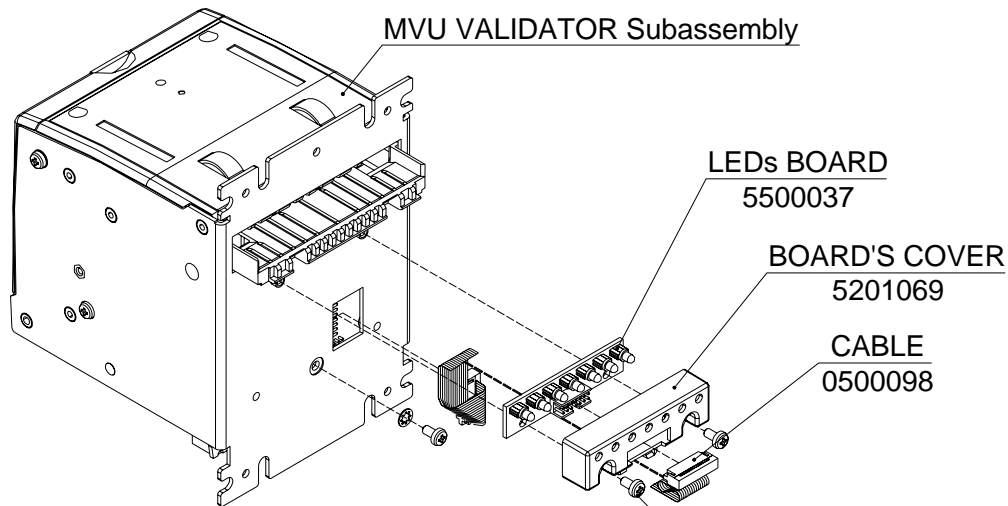
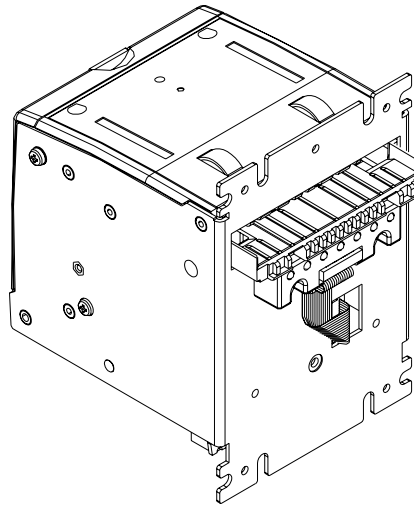
- Pull out 3 nylon push rivets
- Remove bezel
- Disconnect the cable



## Disassembly of MVU Smiley subassemblies.

### Step 1.

- Remove screw M3x6
- Remove board's cover
- Remove leds board
- Disconnect the cable

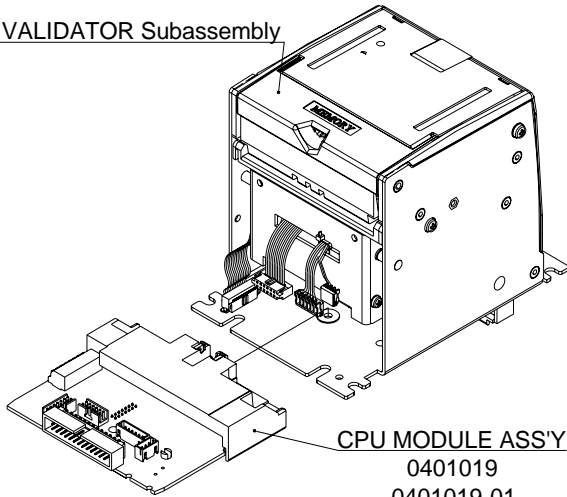


Screw M3x6, Phillips, Pan Head, Zinc (2 pcs.)  
8201000

**Step 2**

- Pull out CPU board
- Disconnect the cable from CPU board
- Remove CPU board

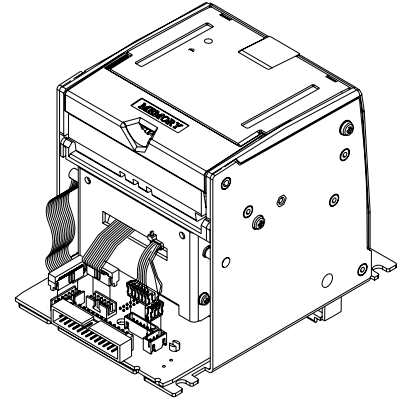
VU (MVU) VALIDATOR Subassembly



CPU MODULE ASS'Y

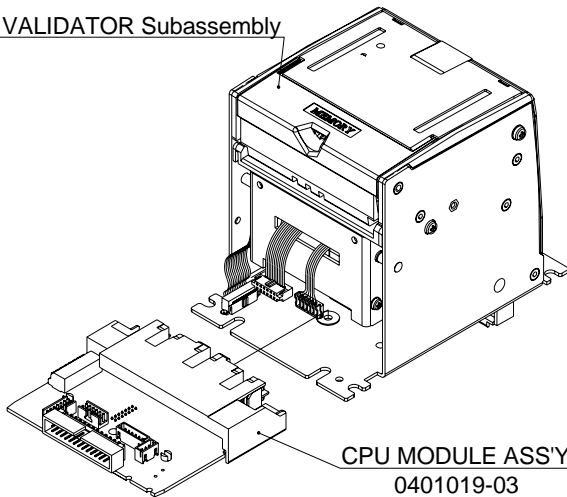
- 0401019
- 0401019-01
- 0401019-02
- 0401019-06

ALIGNMENT



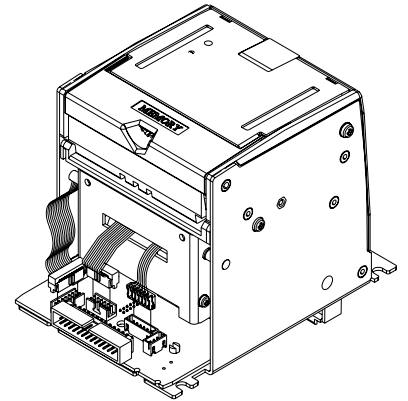
W/O ALIGNMENT

VU (MVU) VALIDATOR Subassembly



CPU MODULE ASS'Y

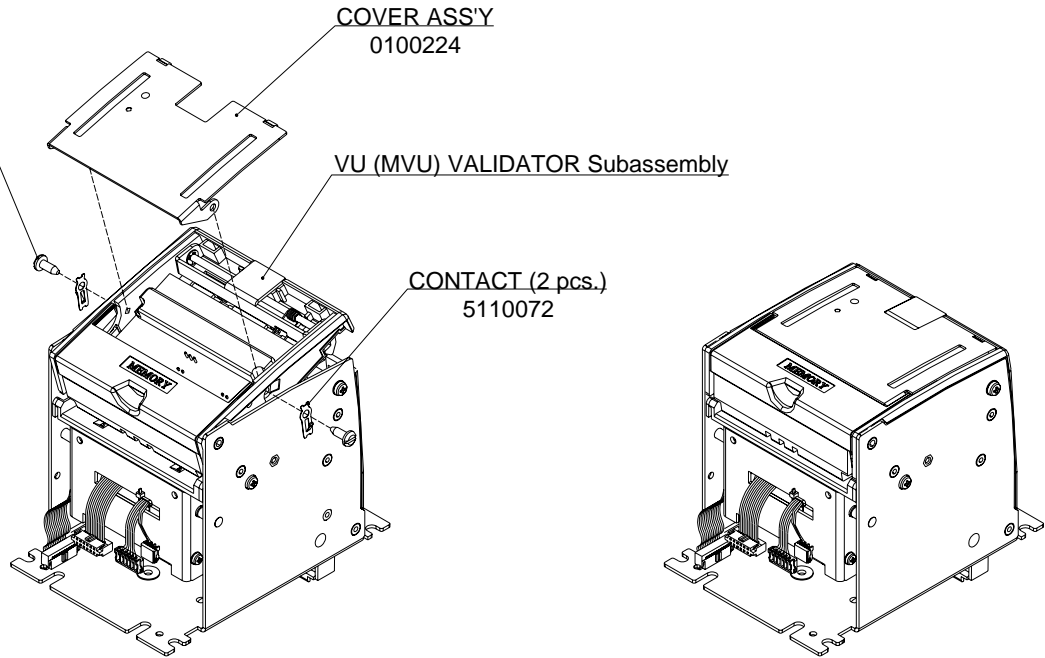
- 0401019-03
- 0401019-04
- 0401019-07



**Step 3**

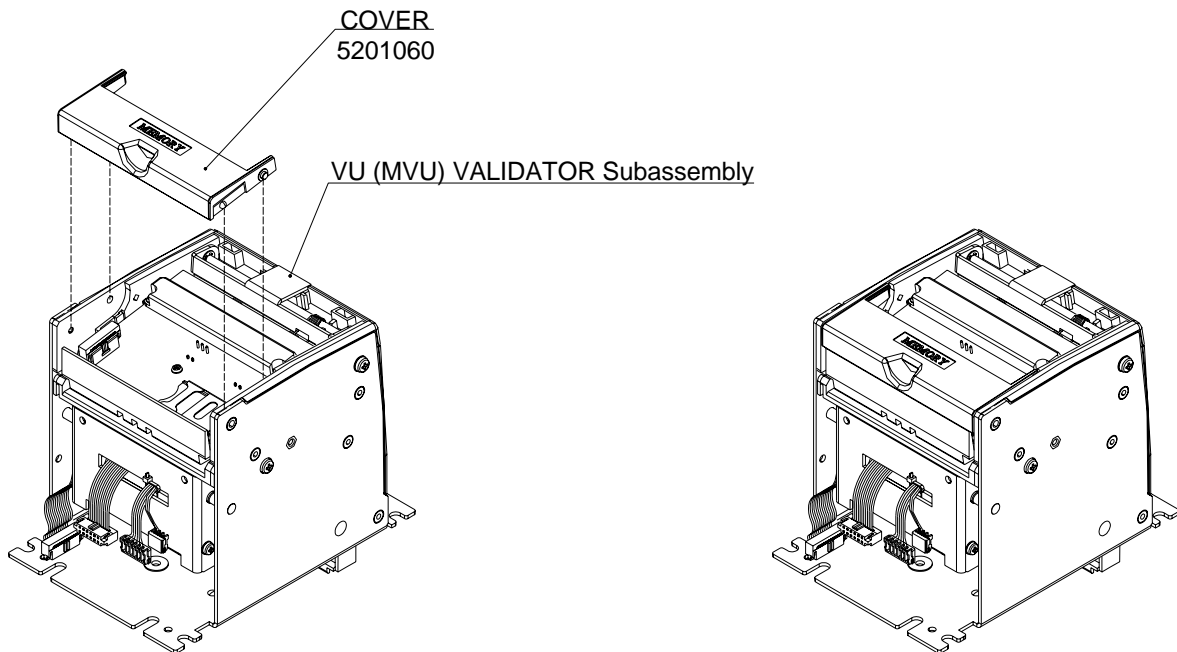
- Remove 2 thread cutting screws 6-32x5/16
- Remove 2 contacts and cover

Thread Cutting Screw 6-32x5/16  
 Slotted Type 23 Pan Head, Steel, Zinc (2 pls.)  
 8201A43



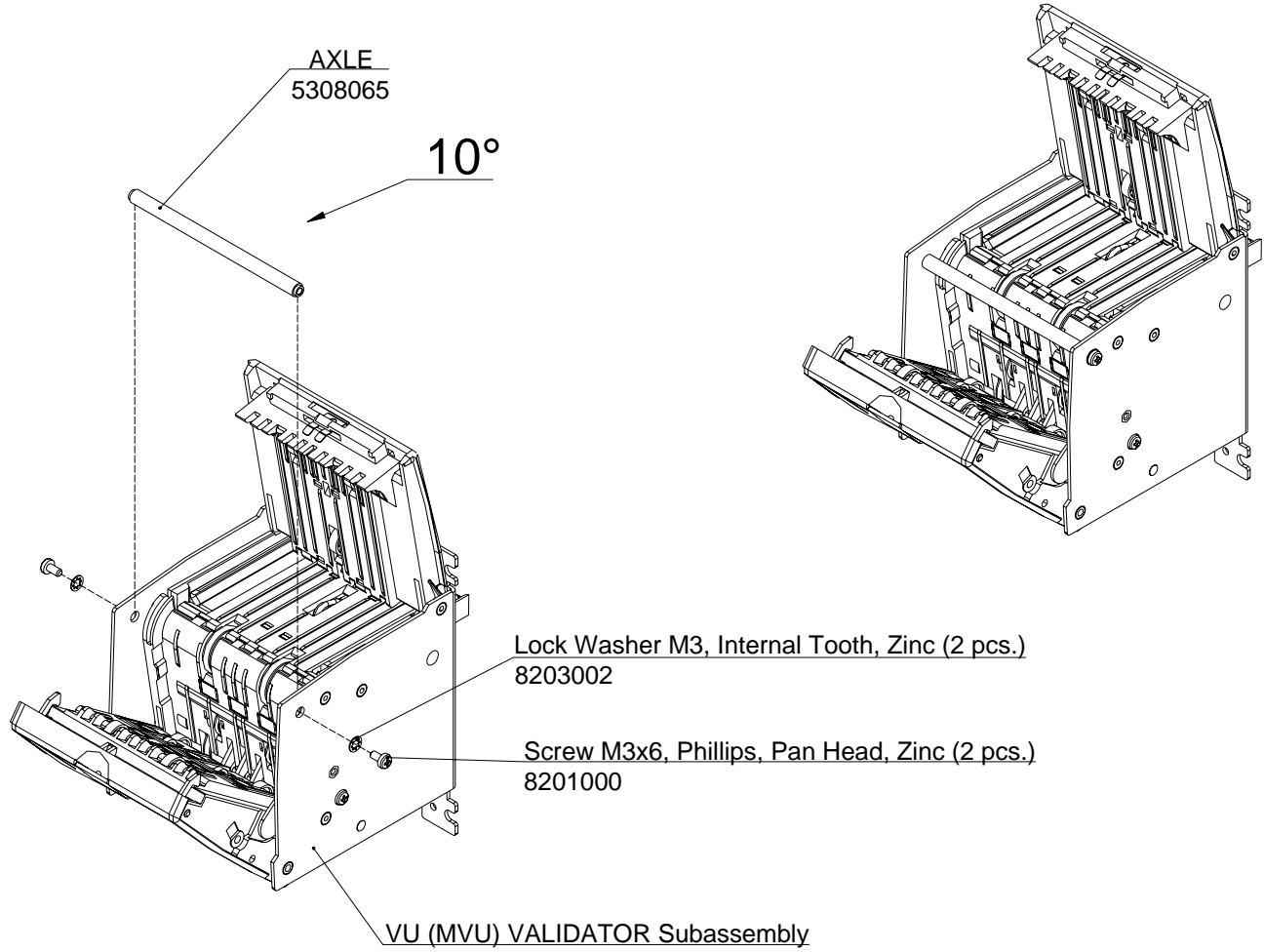
**Step 4**

- Remove cover



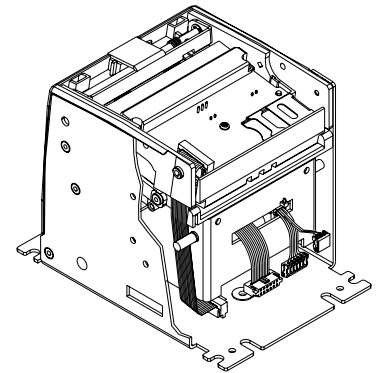
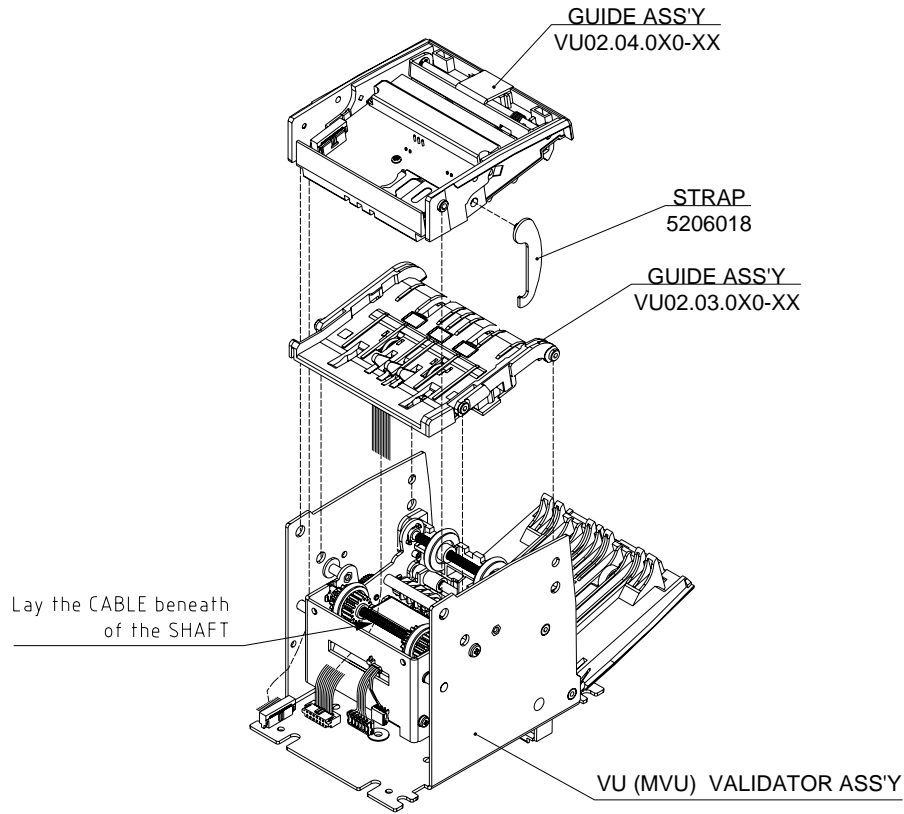
**Step 5**

- Remove 2 screw M3x6 and 2 lock washer
- Remove axle

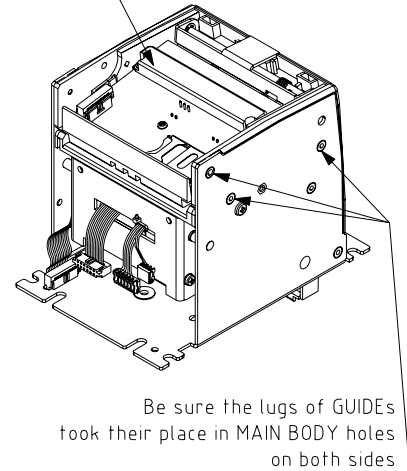


**Step 6**

- Remove 2 guides and strap
- Disconnect the cables from guides



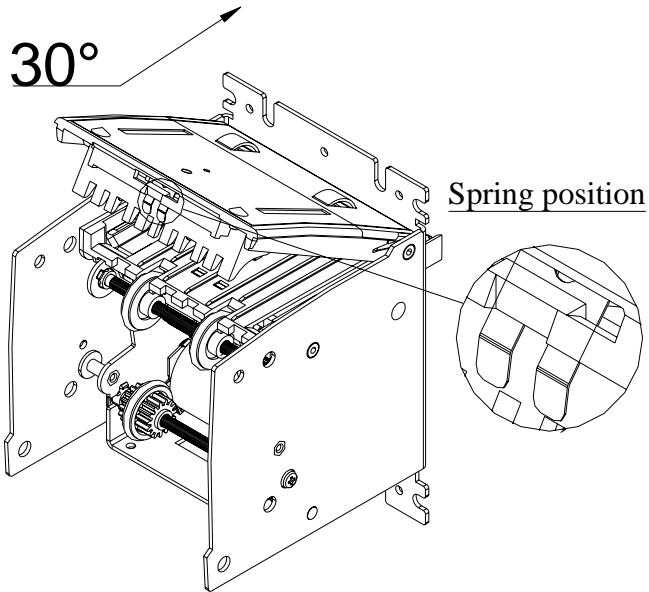
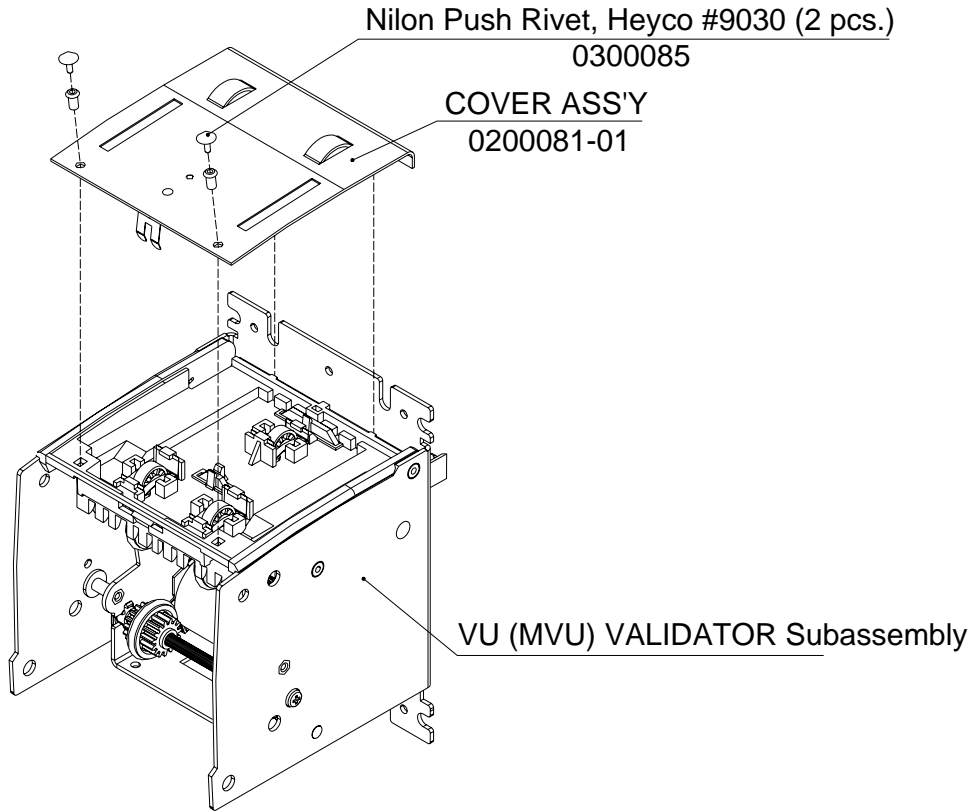
Check the smoothness of GUIDE  
VU02.04.000 rotation



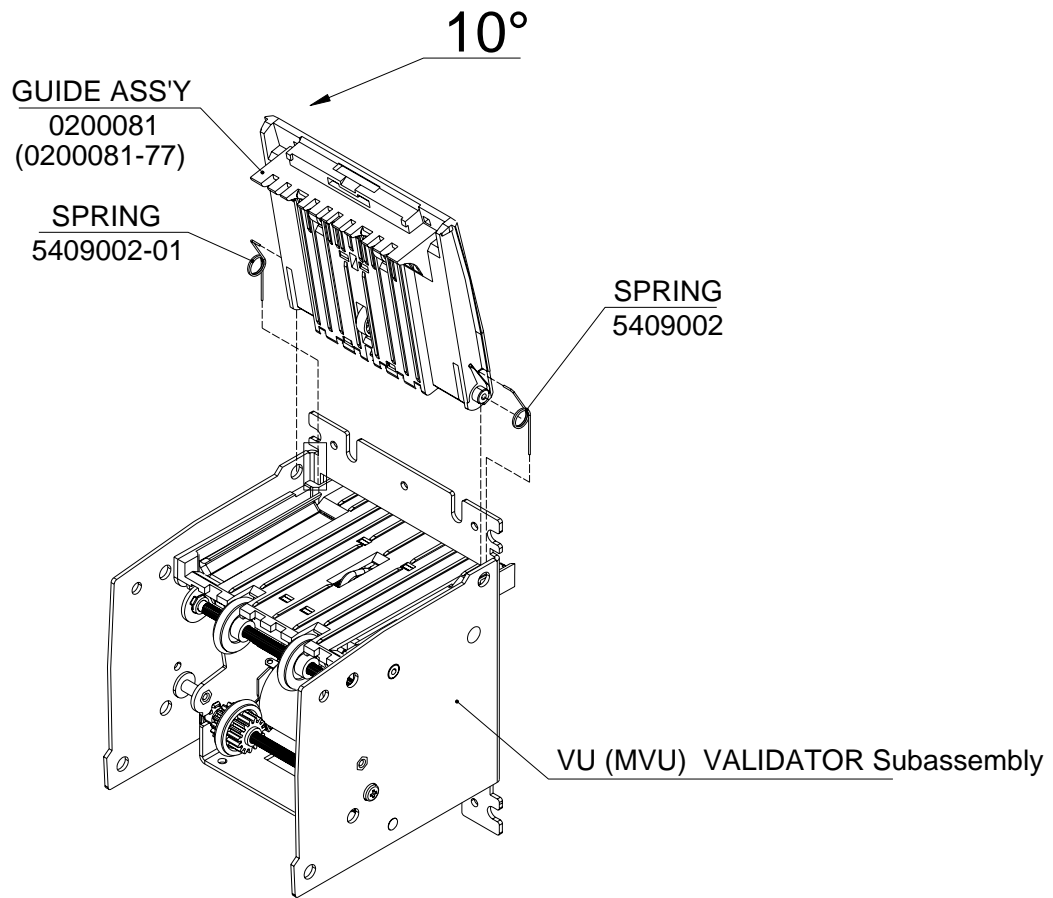


**Step 7**

- Pull out 2 nylon push rivets
- Remove cover

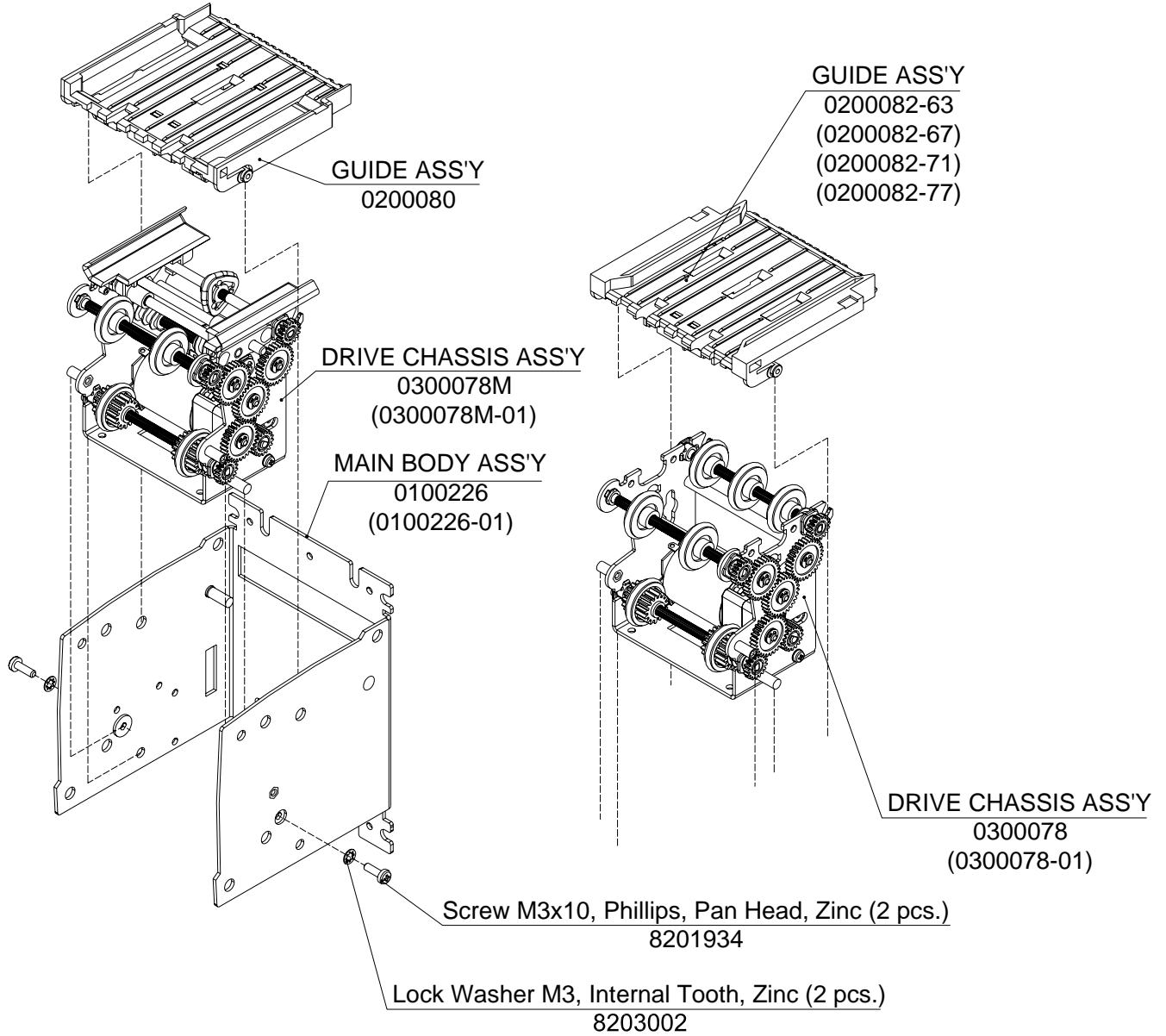


**Step 8**  
**-Remove guide and 2 springs**



**Step 9**

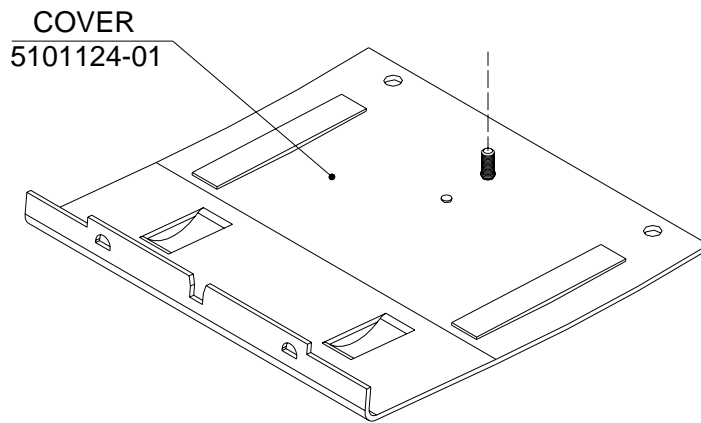
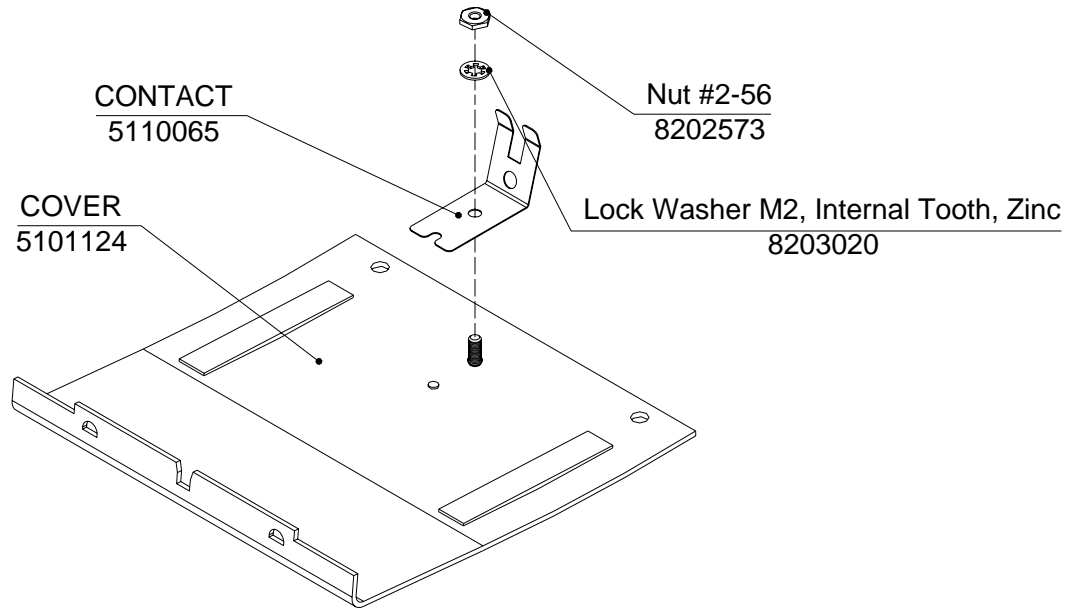
- Remove 2 screw M3x10 and 2 lock washer
- Remove guide
- Remove drive chassis



## Disassembly of cover 0100223

### Step 1

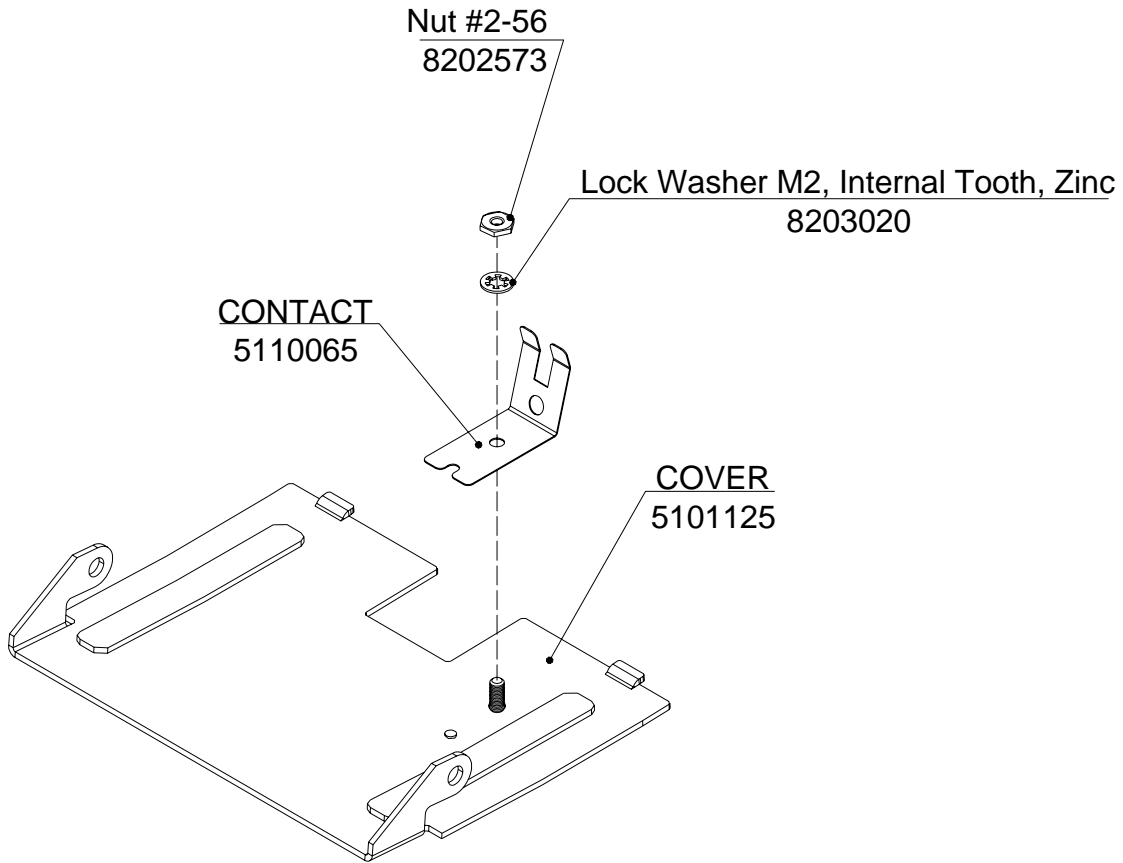
- Remove nut #2-56 and lock washer
- Remove contact



## Disassembly of cover 0100224

### Step 1

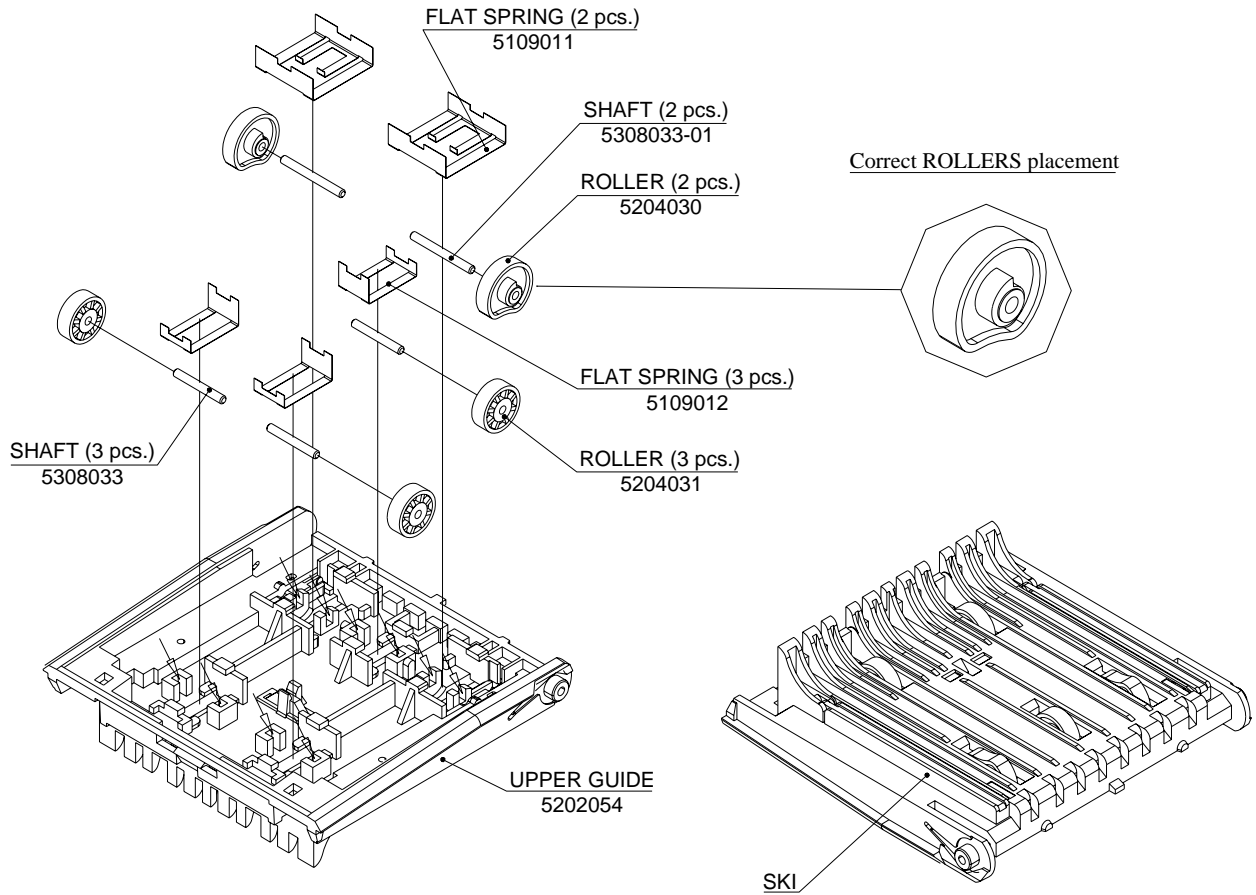
- Remove nut #2-56 and lock washer
- Remove contact



## Disassembly of upper guide 0200081

### Step 1

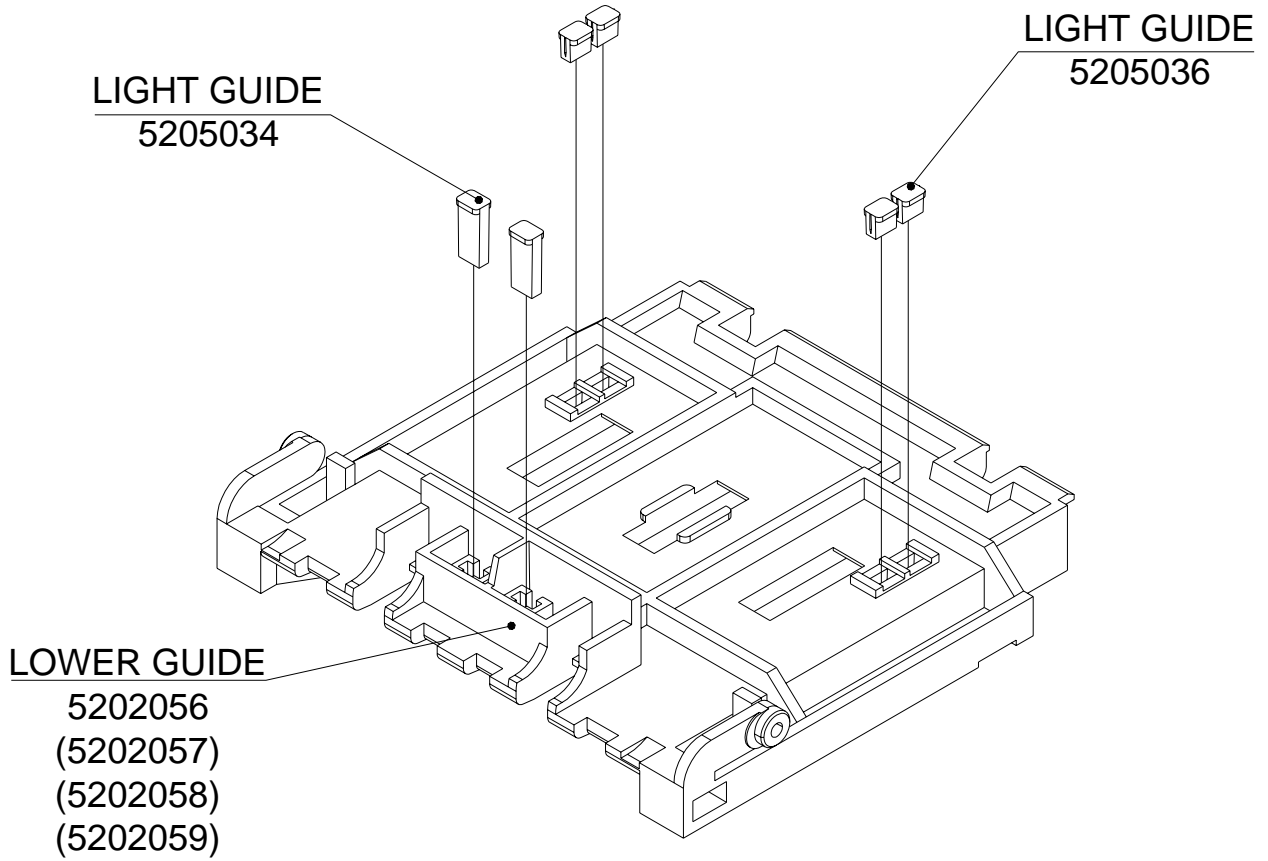
- Remove 5 flat springs
- Remove 5 shafts and 5 rollers



## Disassembly of lower guide 0200082

### Step 1

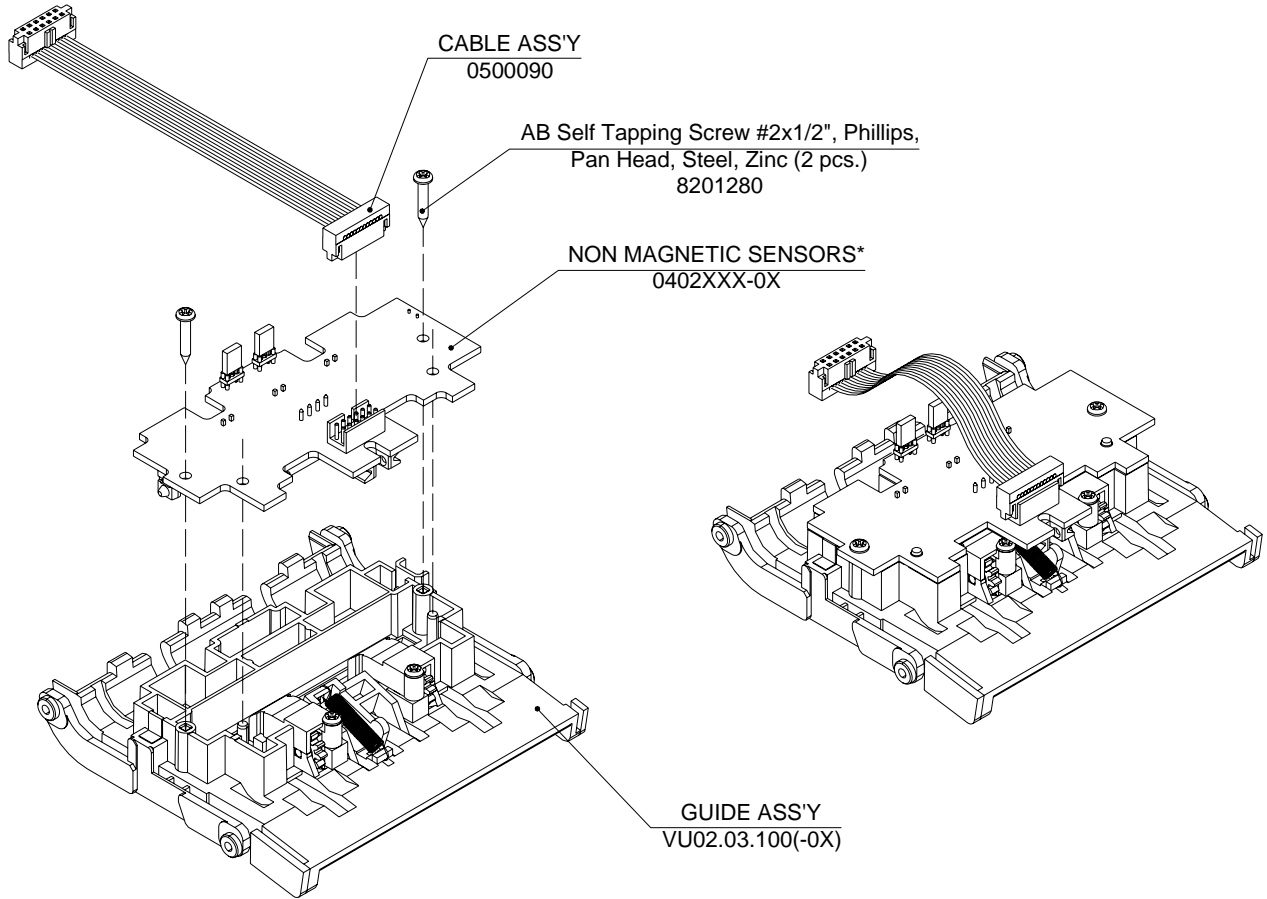
-Remove 6 light guide



## Disassembly of guide 0200090-XX

### Step 1

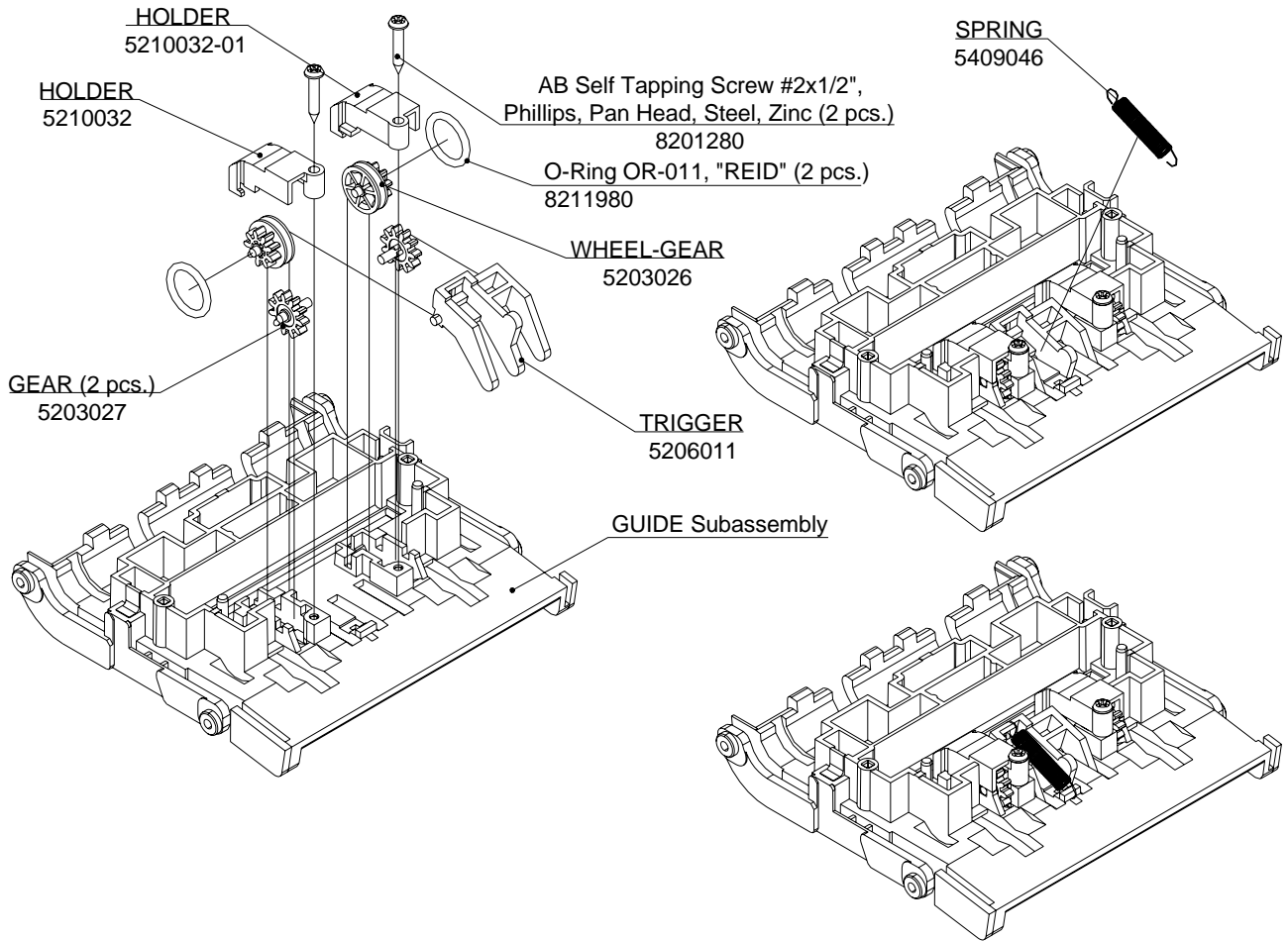
- Disconnect the cable from board
- Remove 2 self tapping screw #2x1/2"
- Remove board



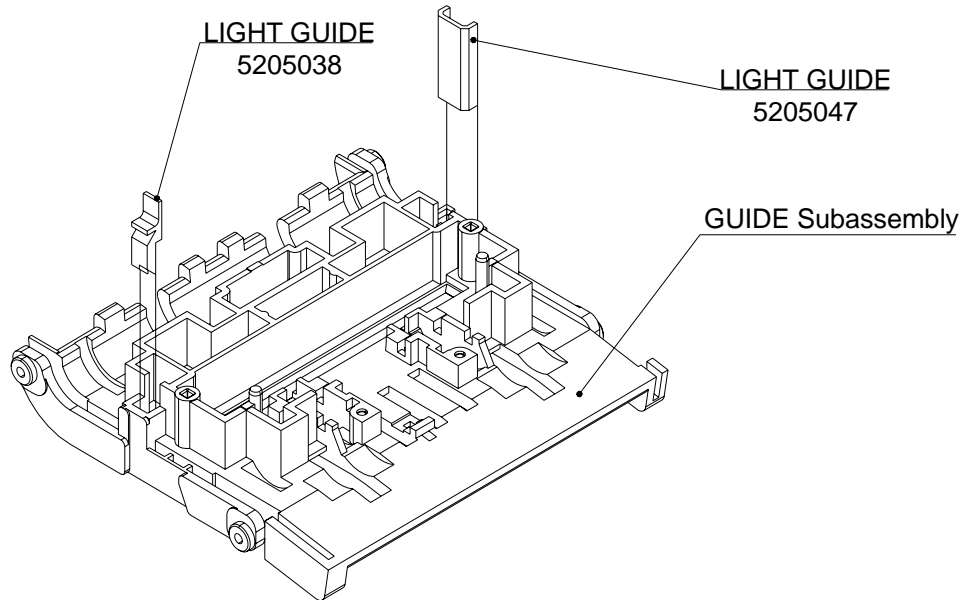


**Step 2**

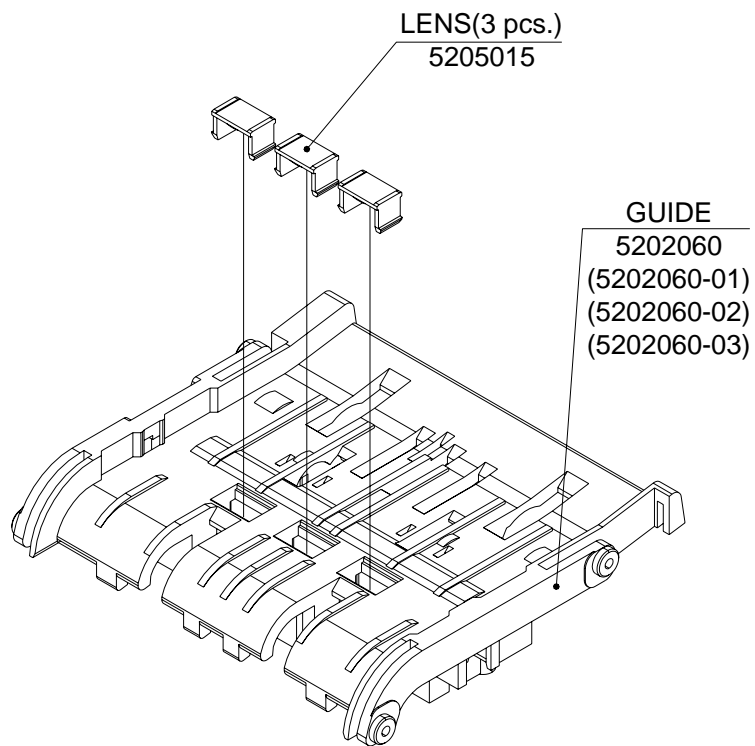
- Remove 2 self tapping screw #2x1/2"
- Remove 2 holders
- Remove 2 wheel-gears with 2 o-rings
- Remove 2 gears
- Remove treeger
- Remove spring



**Step 3**  
**-Remove 2 light guides**



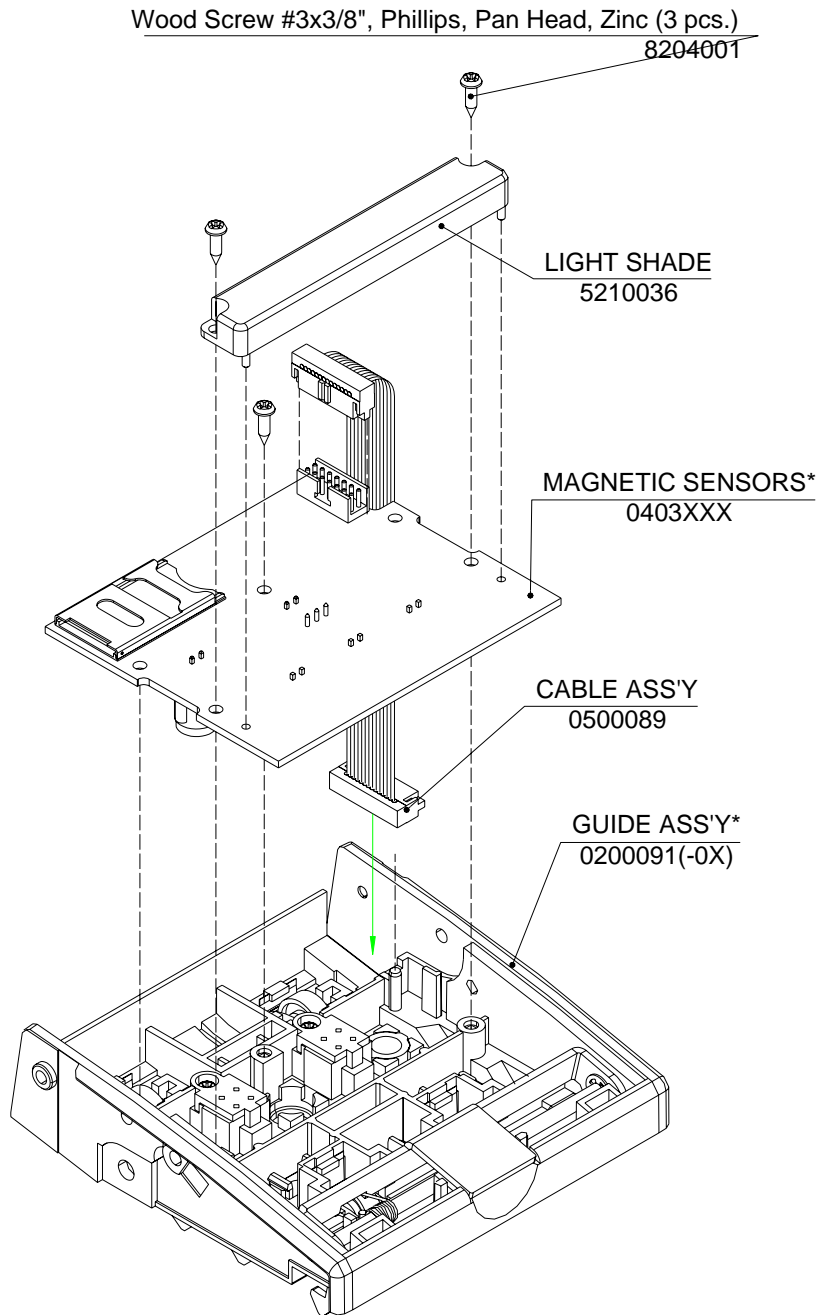
**Step 4**  
**-Remove 3 lens**



## Disassembly of guide 0200091-XX

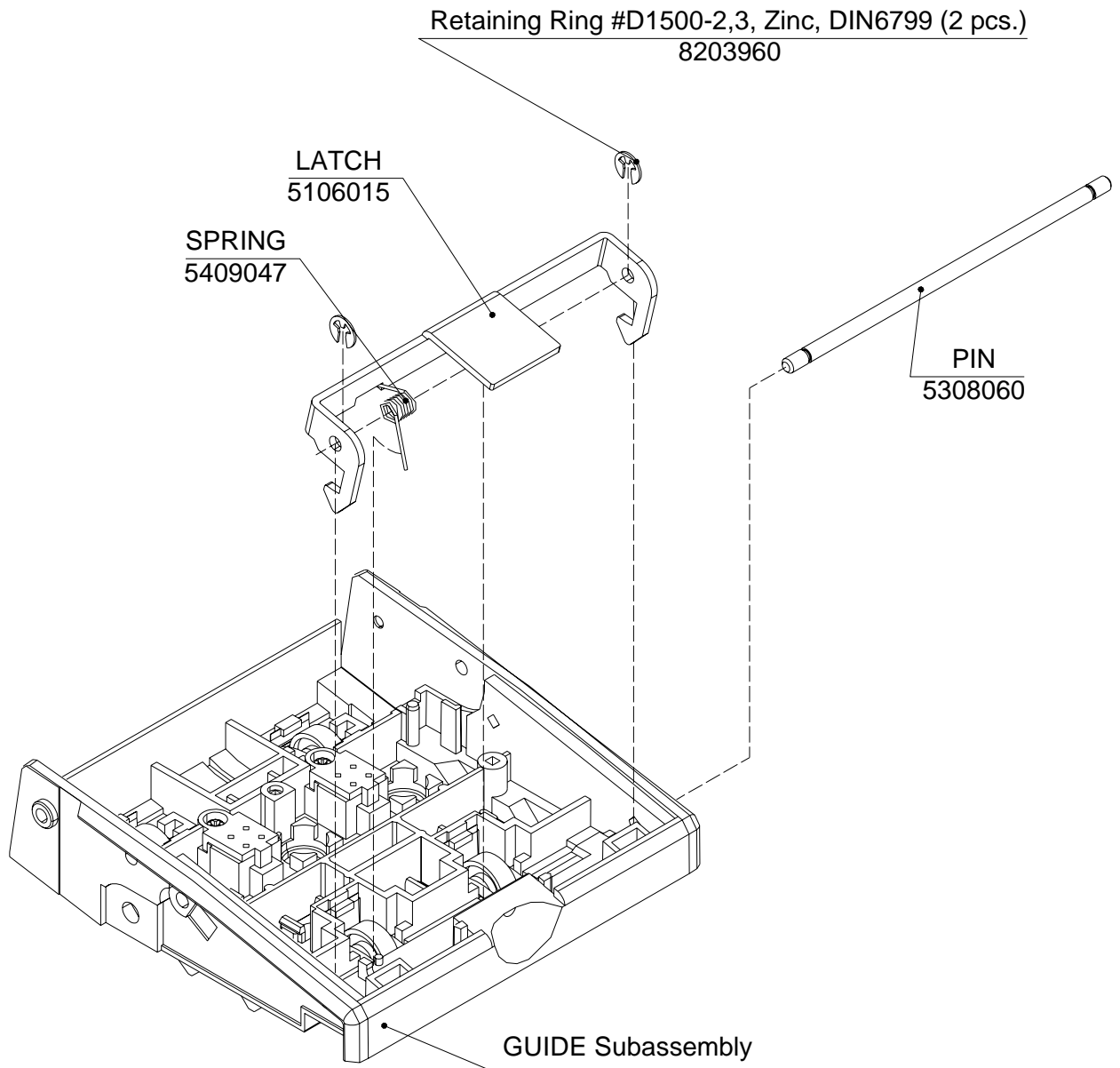
### Step 1

- Disconnect the cable from board
- Remove 2 wood screw #3x3/8"
- Remove light shade
- Remove board and cable



**Step 2**

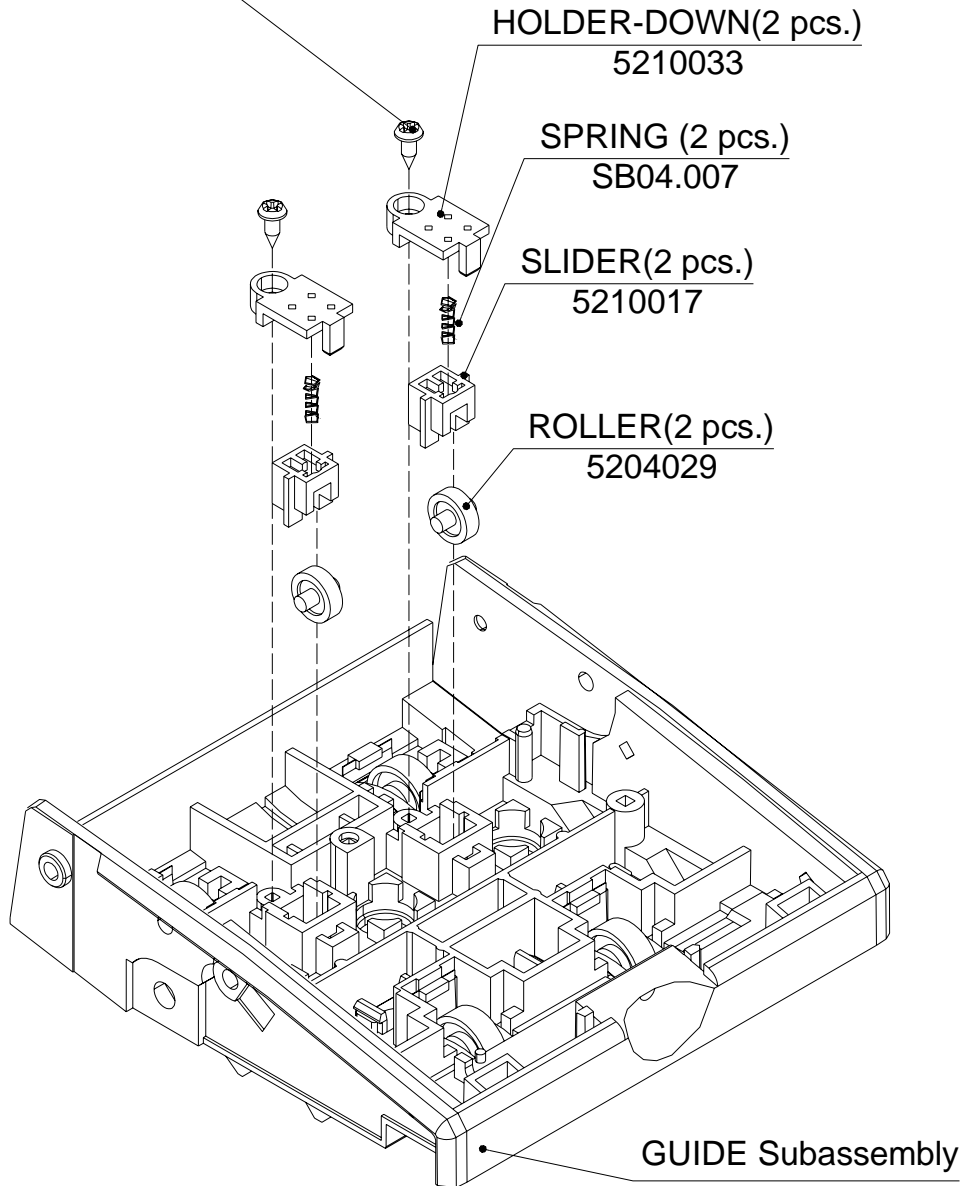
- Remove 2 retaining rings
- Remove pin
- Remove latch and spring



**Step 3**

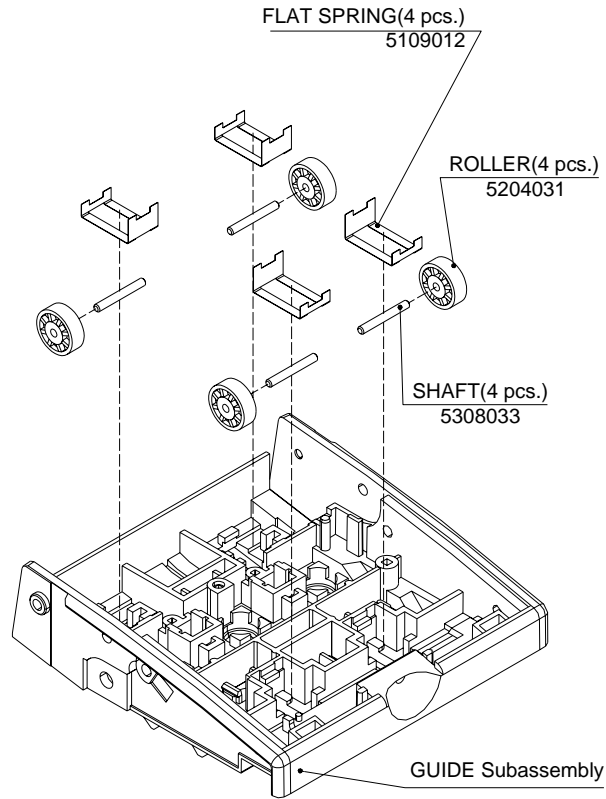
- Remove 2 self tapping screws #2x1/4"
- Remove 2 holder-downs
- Remove 2 springs, 2 sliders and 2 rollers

AB Self Tapping Screw #2x1/4",  
Phillips, Pan Head, Steel, Zinc (4 pcs.)  
8201930



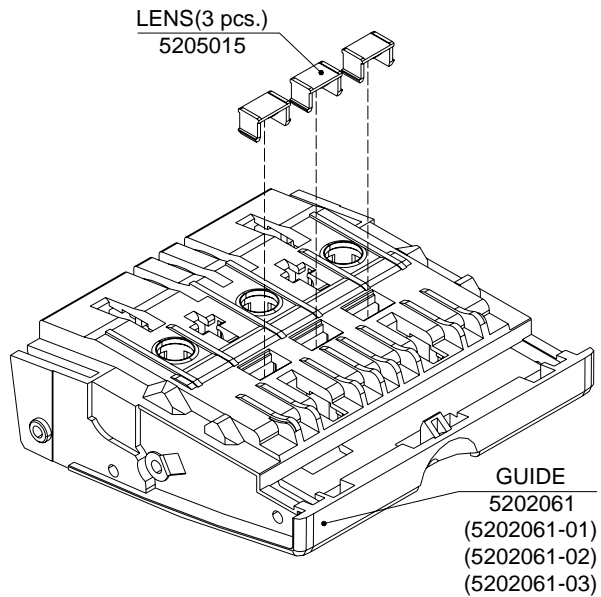
**Step 4**

- Remove 4 flat springs
- Remove 4 rollers and 4 shafts



**Step 5**

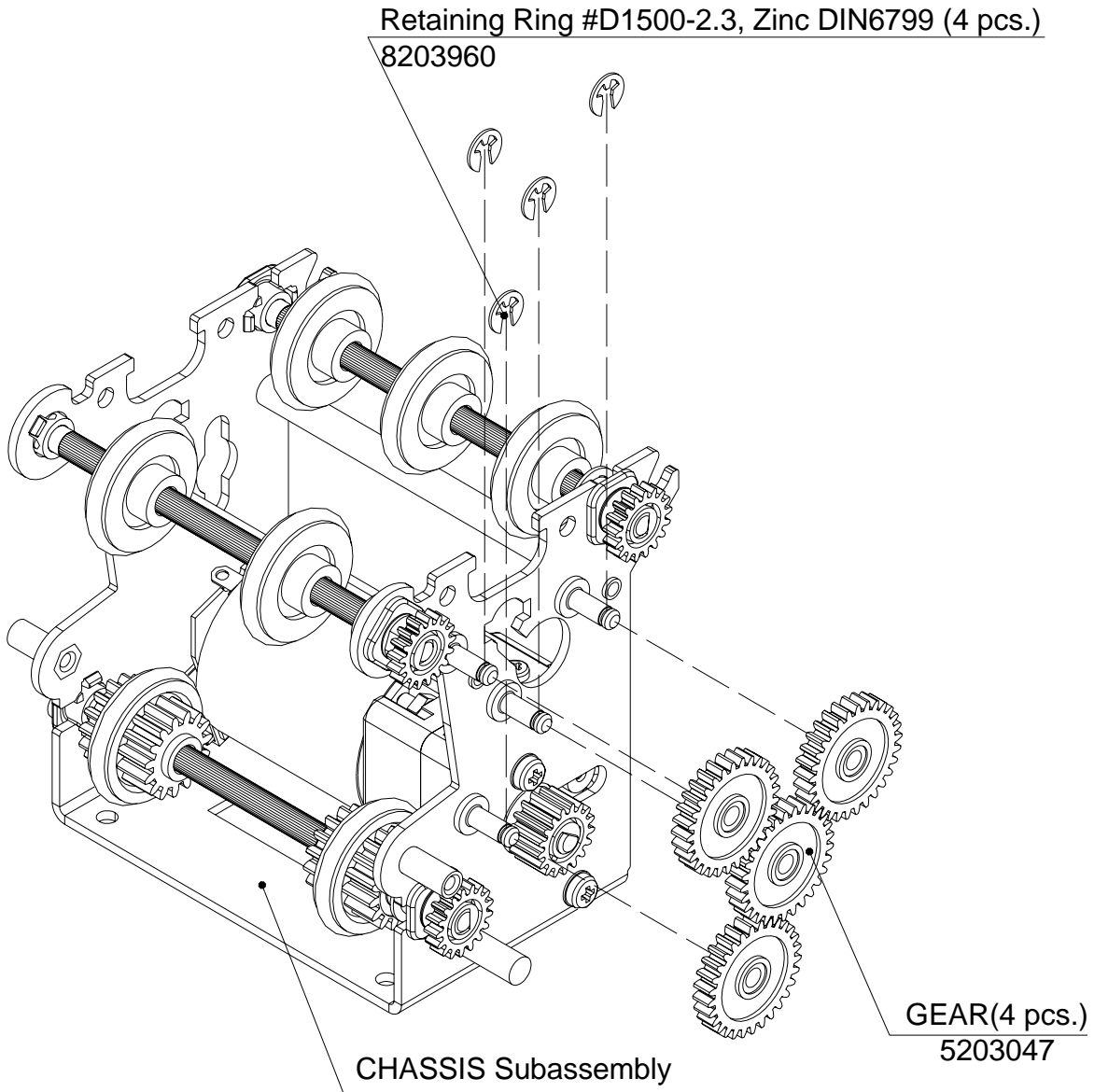
- Remove 3 lens



### Disassembly of shassis (0300078)

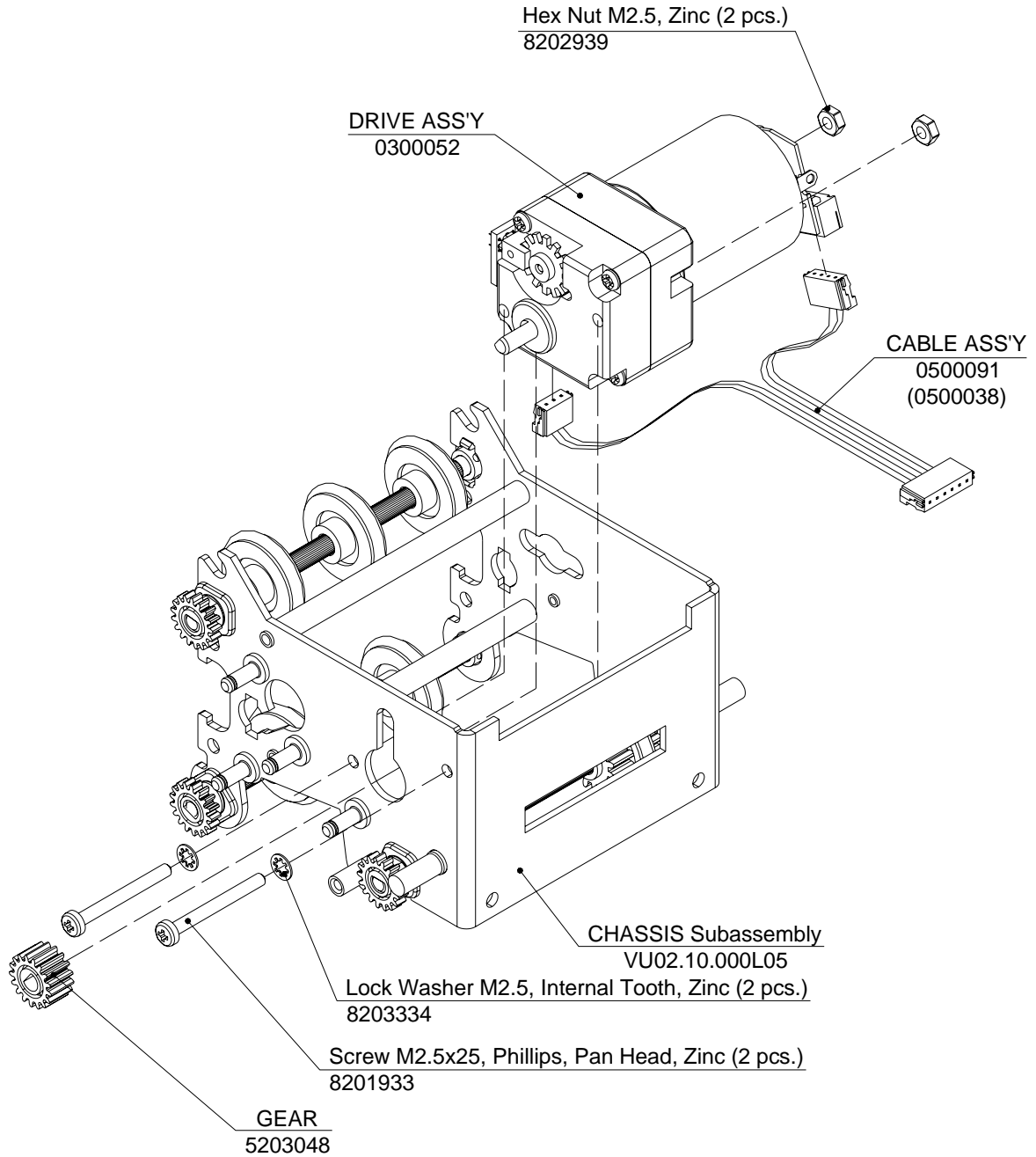
#### Step 1

- Remove 4 retaining rings
- Remove 4 gears



**Step 2**

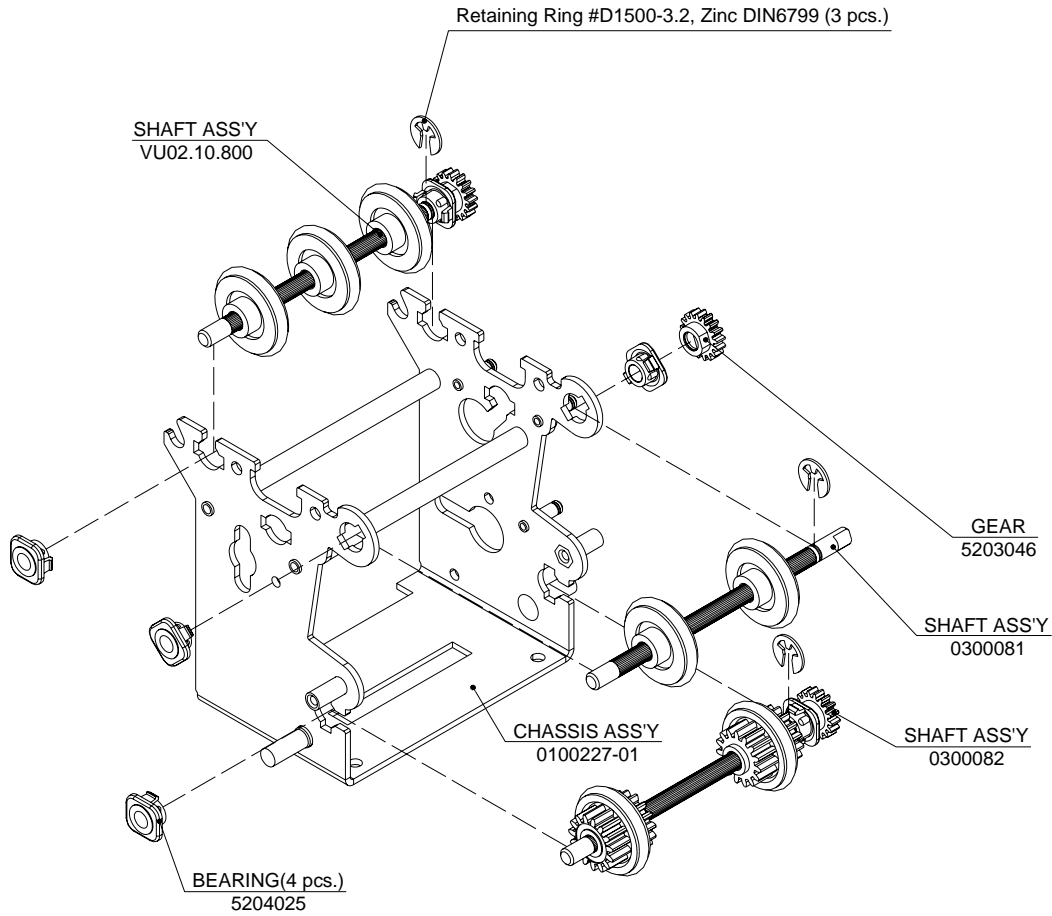
- Remove gear
- Remove 2 screws M2.5x25, 2 lock washers and 2 nuts
- Remove drive with cable
- Disconnect the cable from drive





**Step 3**

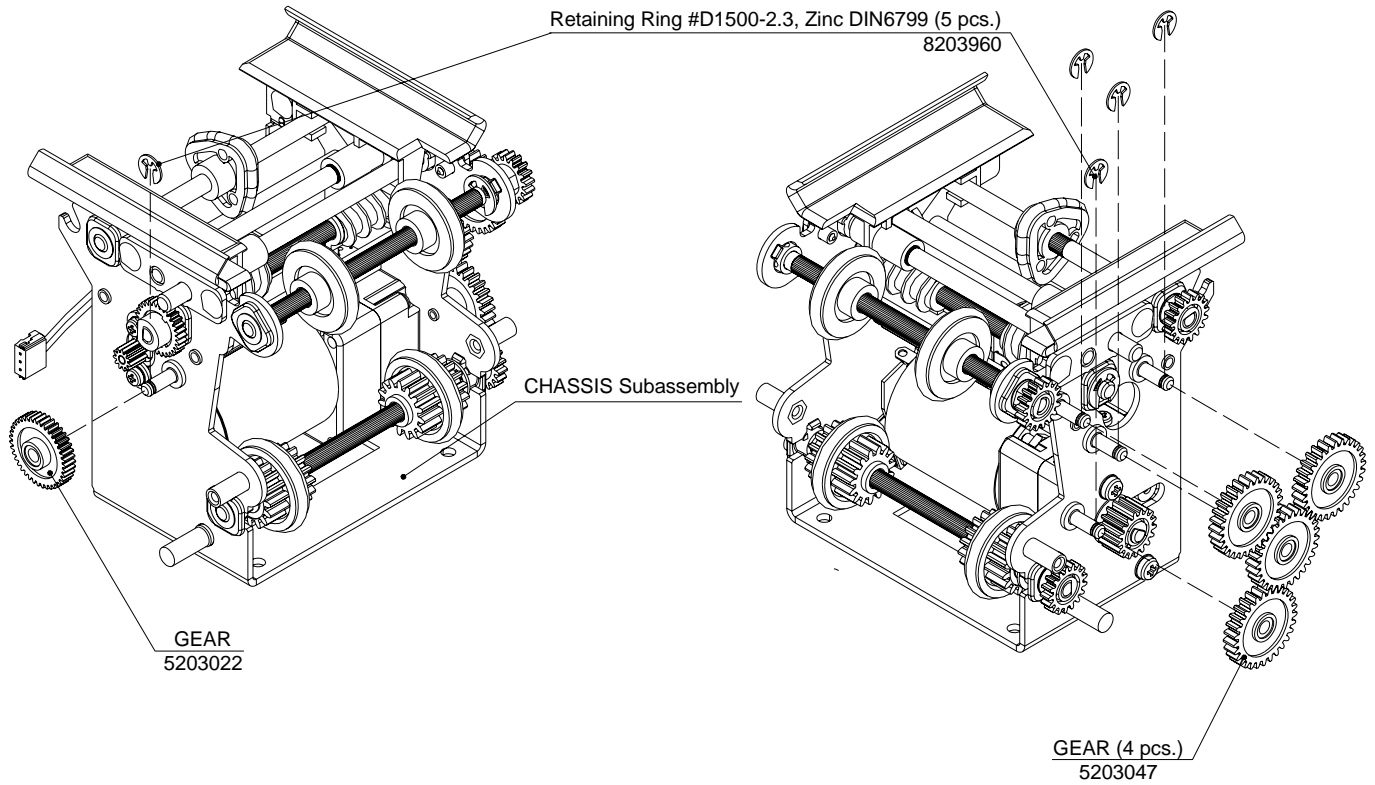
- Remove 3 retaining rings
- Remove gear and 4 bearings
- Remove 3 shafts



## Disassembly of shassis (0300078M)

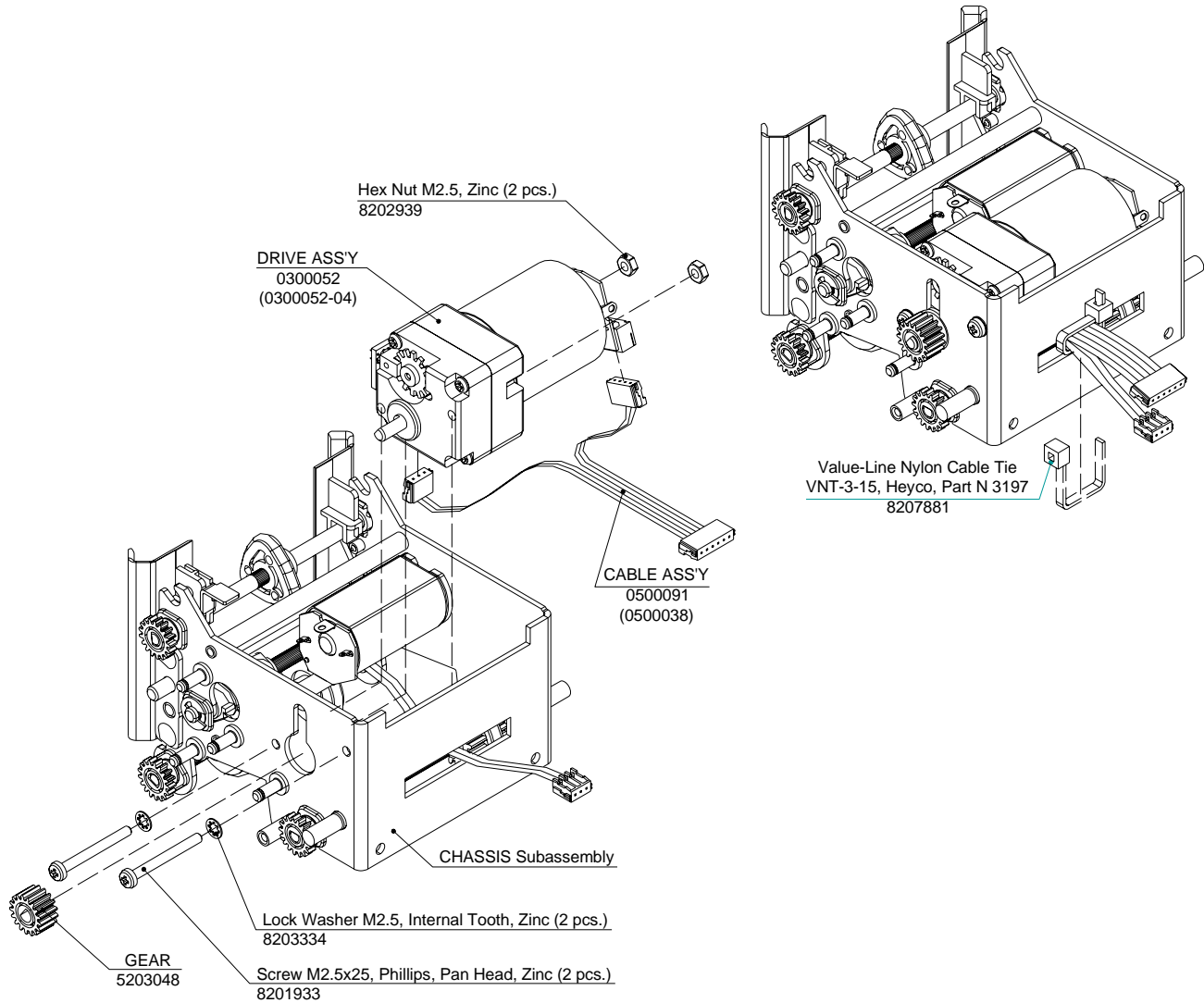
### Step 1

- Remove 5 retaining rings
- Remove 5 gears



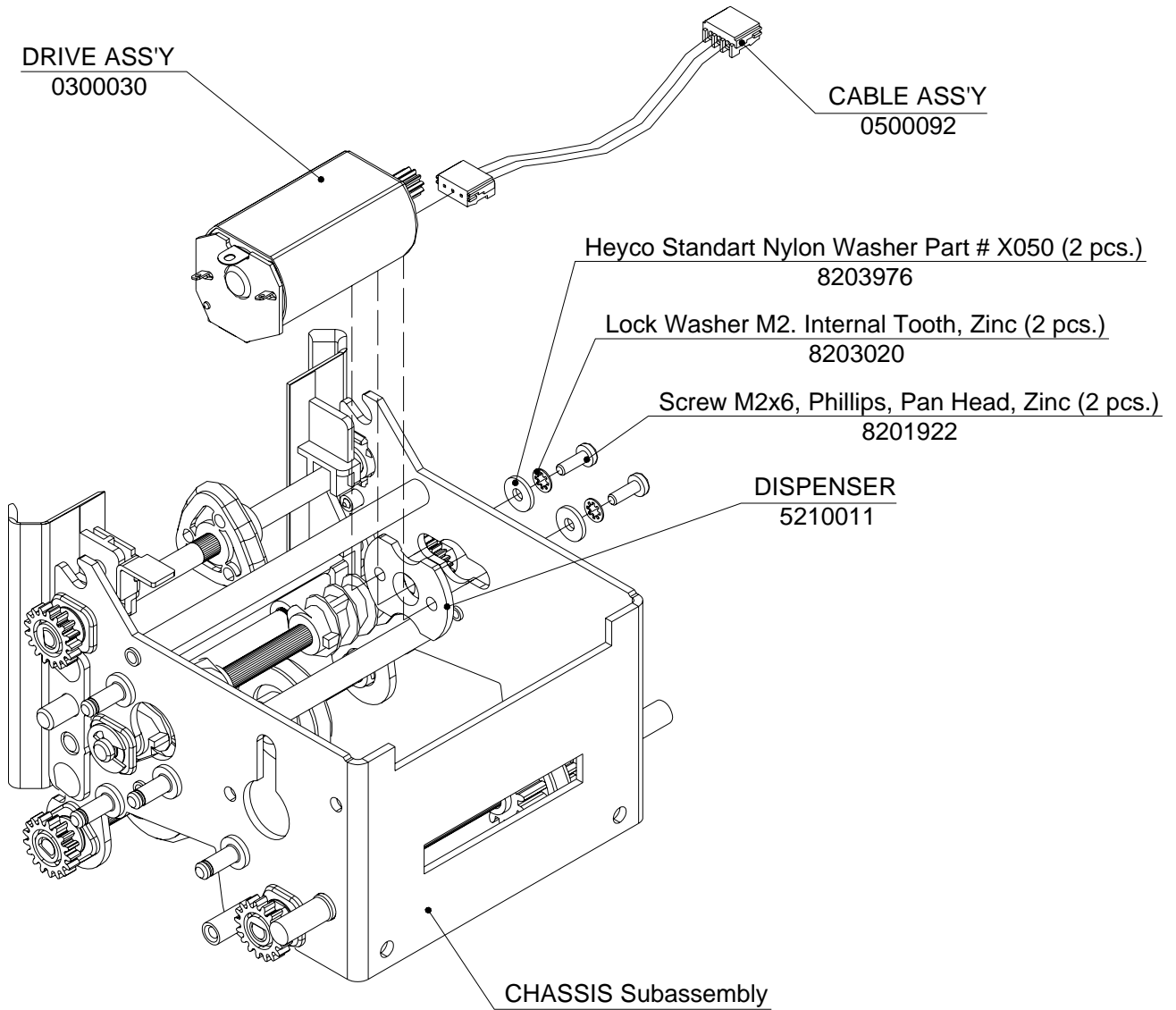
**Step 2**

- Remove gear
- Remove 2 screws M2.5x25, 2 lock washers and 2 nuts
- Remove drive with cable
- Disconnect the cable from drive
- Remove value-line nylon cable tie



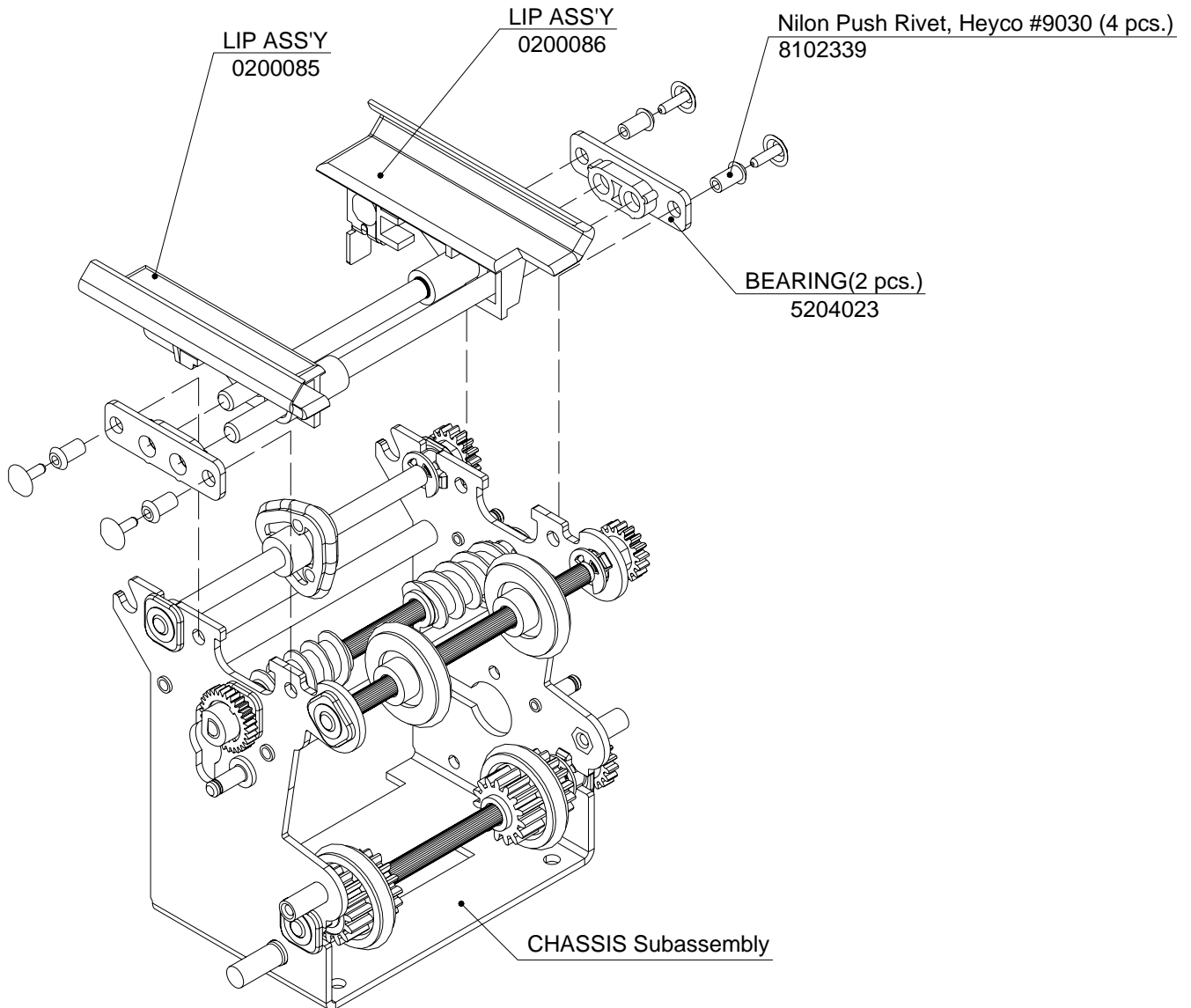
**Step 3**

- Remove 2 screws M2, 2 lock washers and 2 heyco standart washer
- Remove drive with cable
- Disconnect the cable from drive



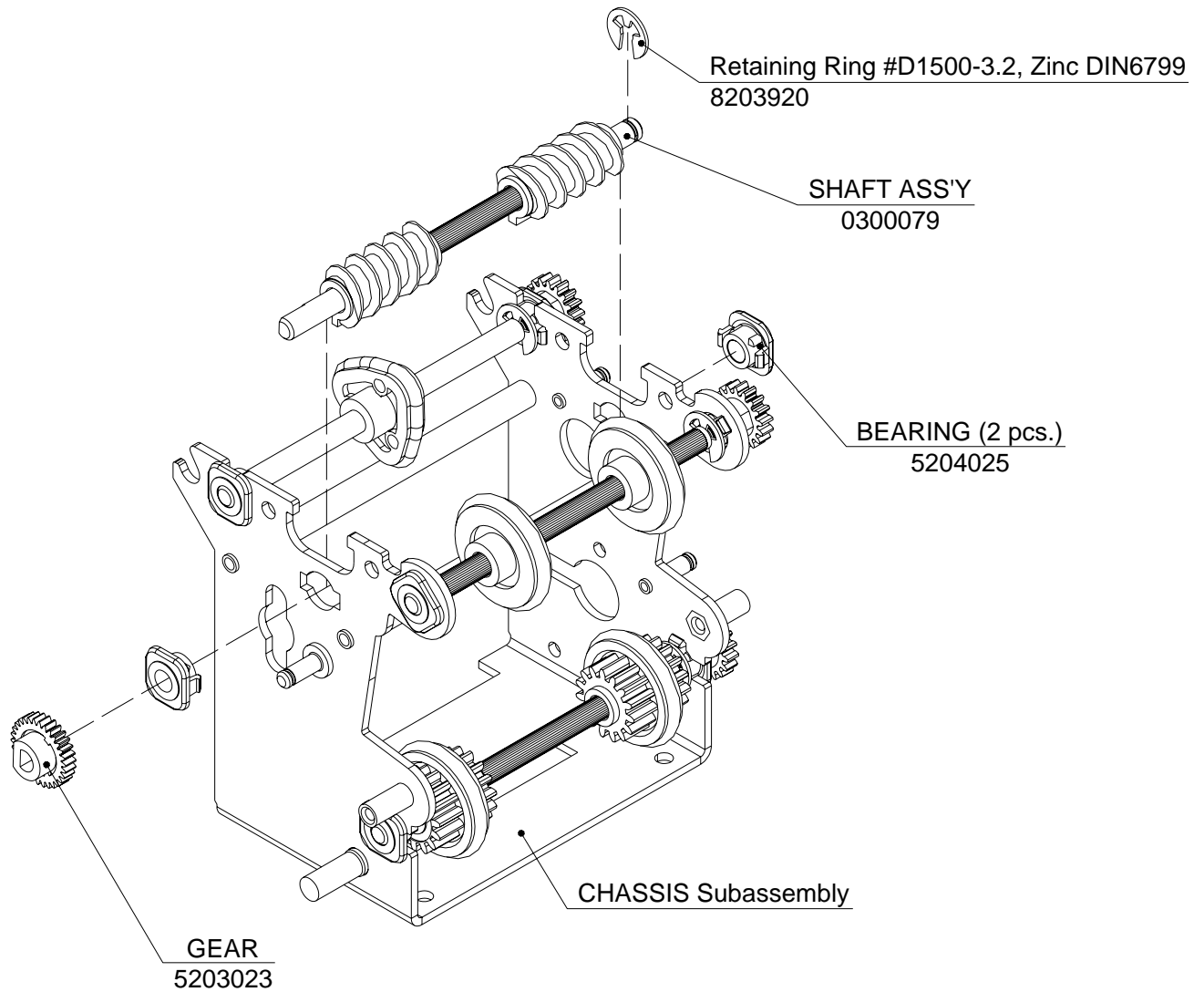
**Step 4**

- Remove 4 nylon push rivet
- Remove 2 bearing
- Remove 2 lip



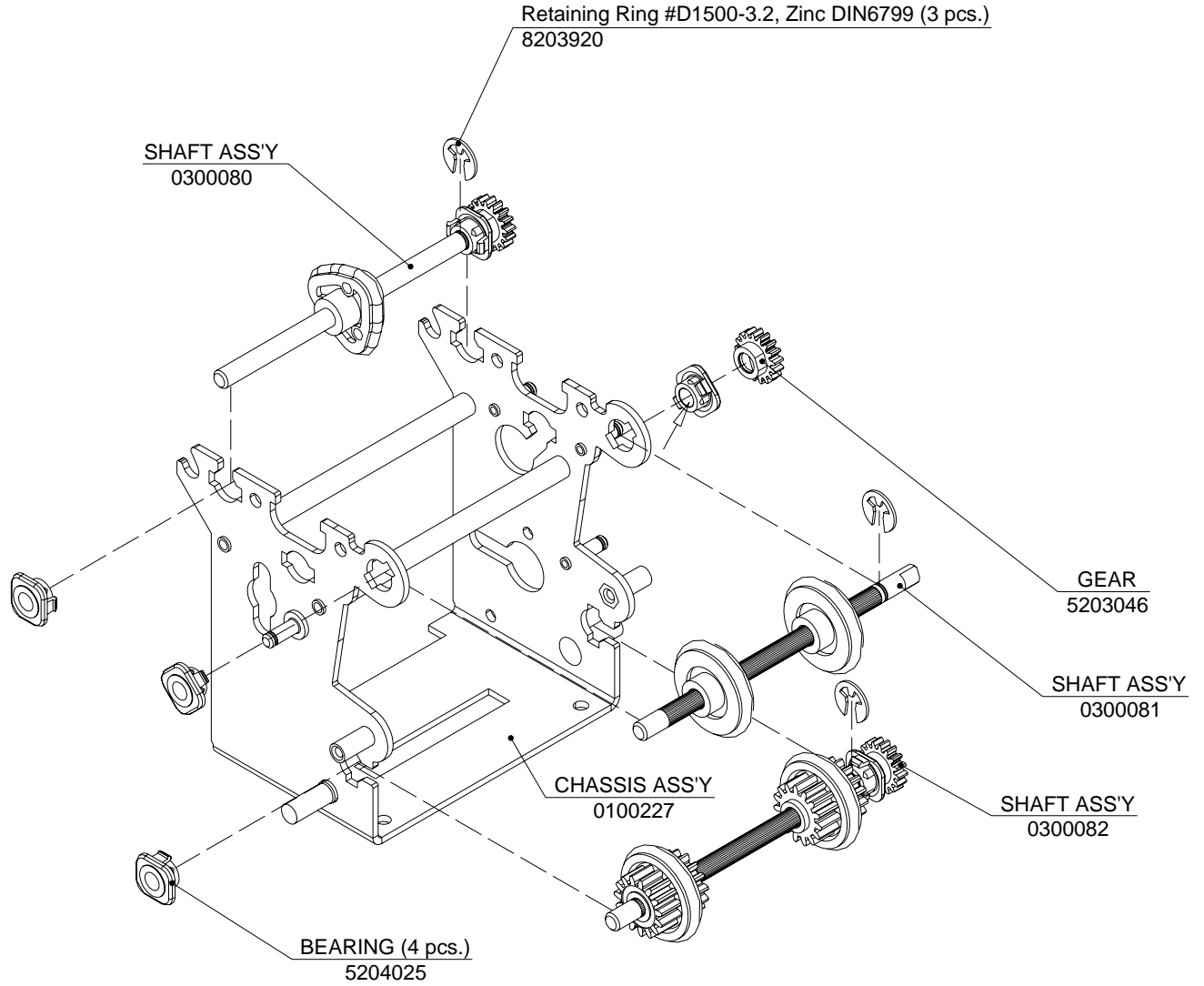
**Step 5**

- Remove gear
- Remove 2 bearings
- Remove retaining rings
- Remove shaft



**Step 6**

- Remove 3 retaining rings
- Remove 4 bearings
- Remove 3 shafts

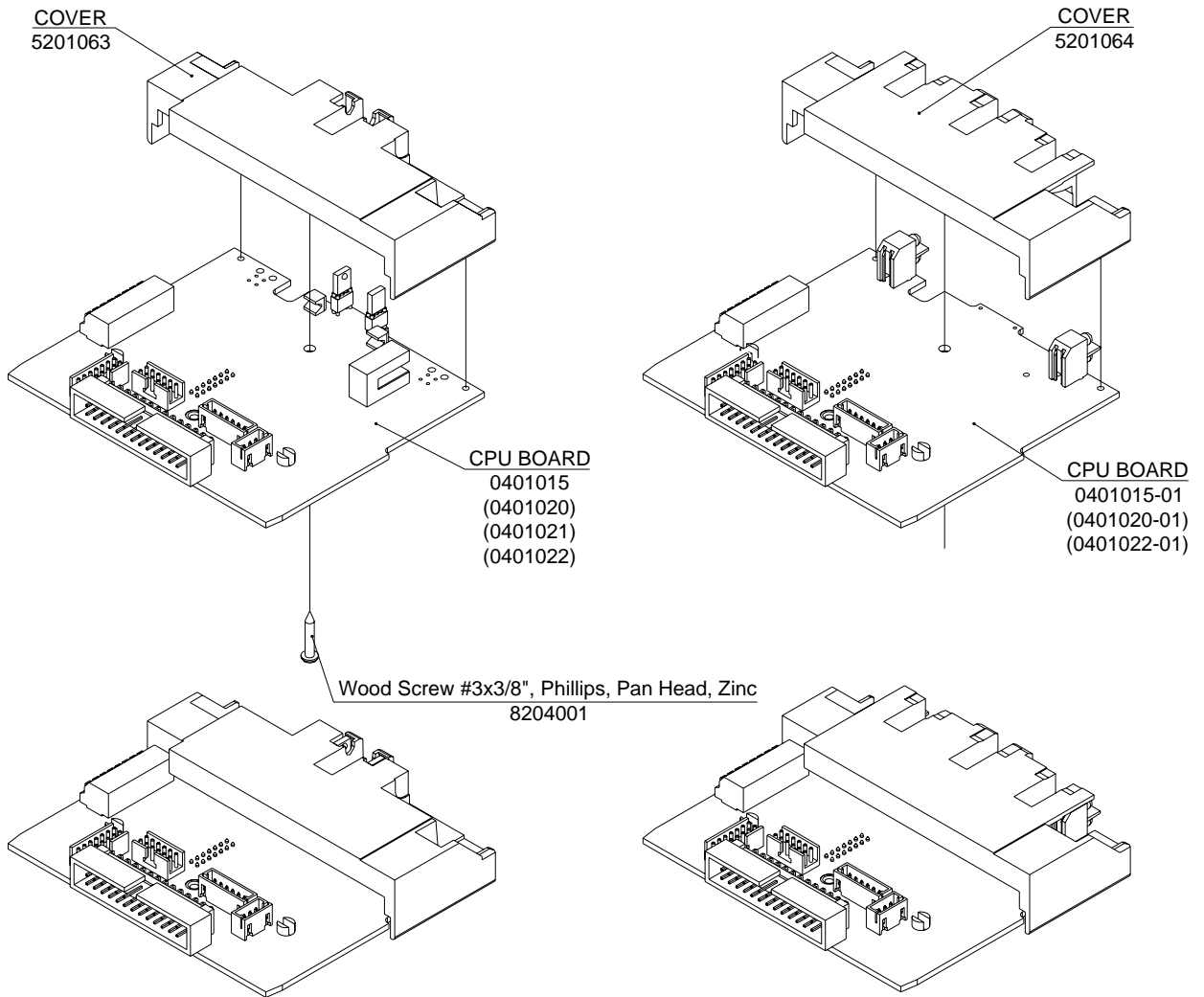


## Disassembly of CPU module

### Step 1

Remove wood screw #3x3/8"

Remove cover

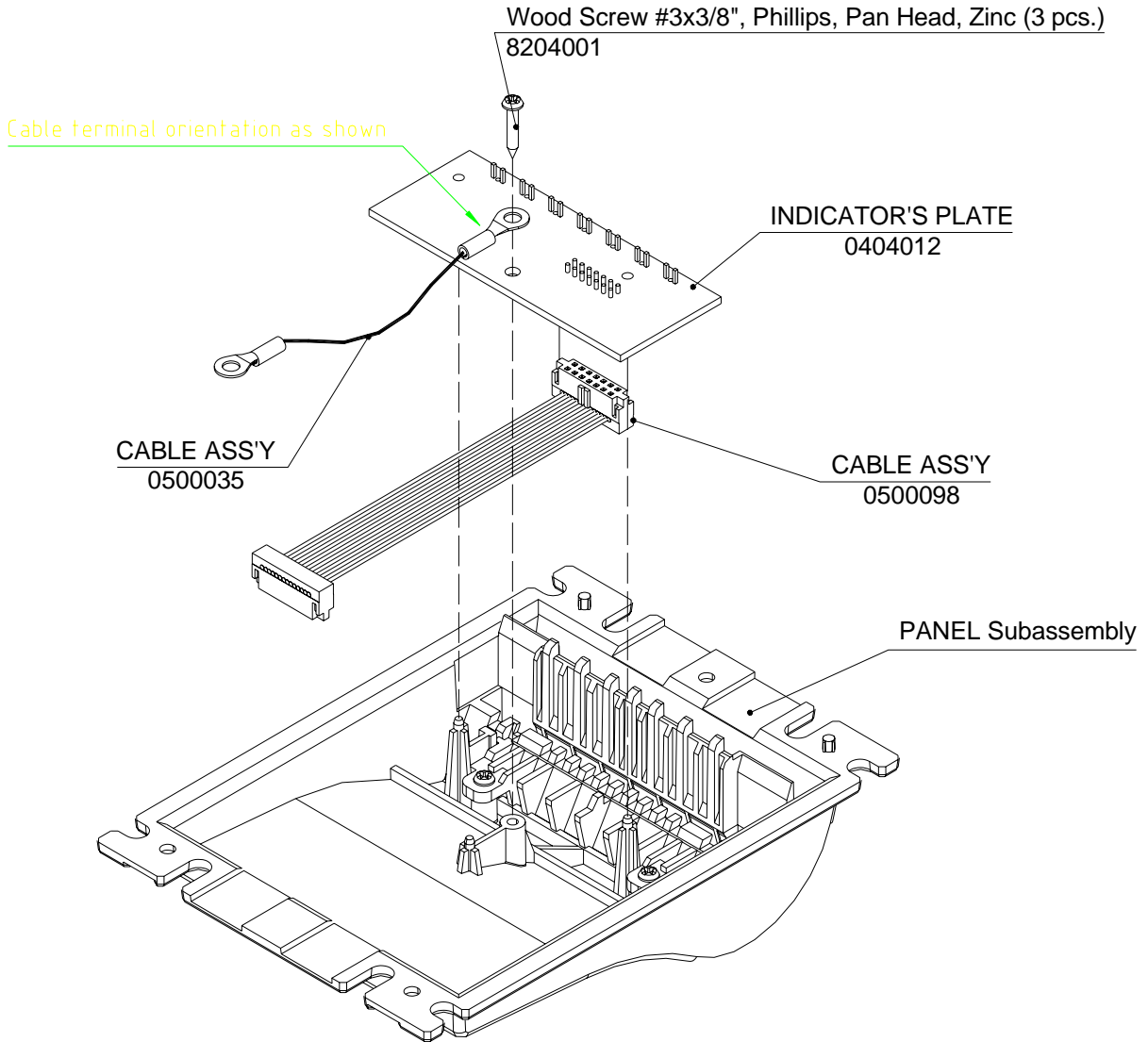




## Disassembly of plastic panel

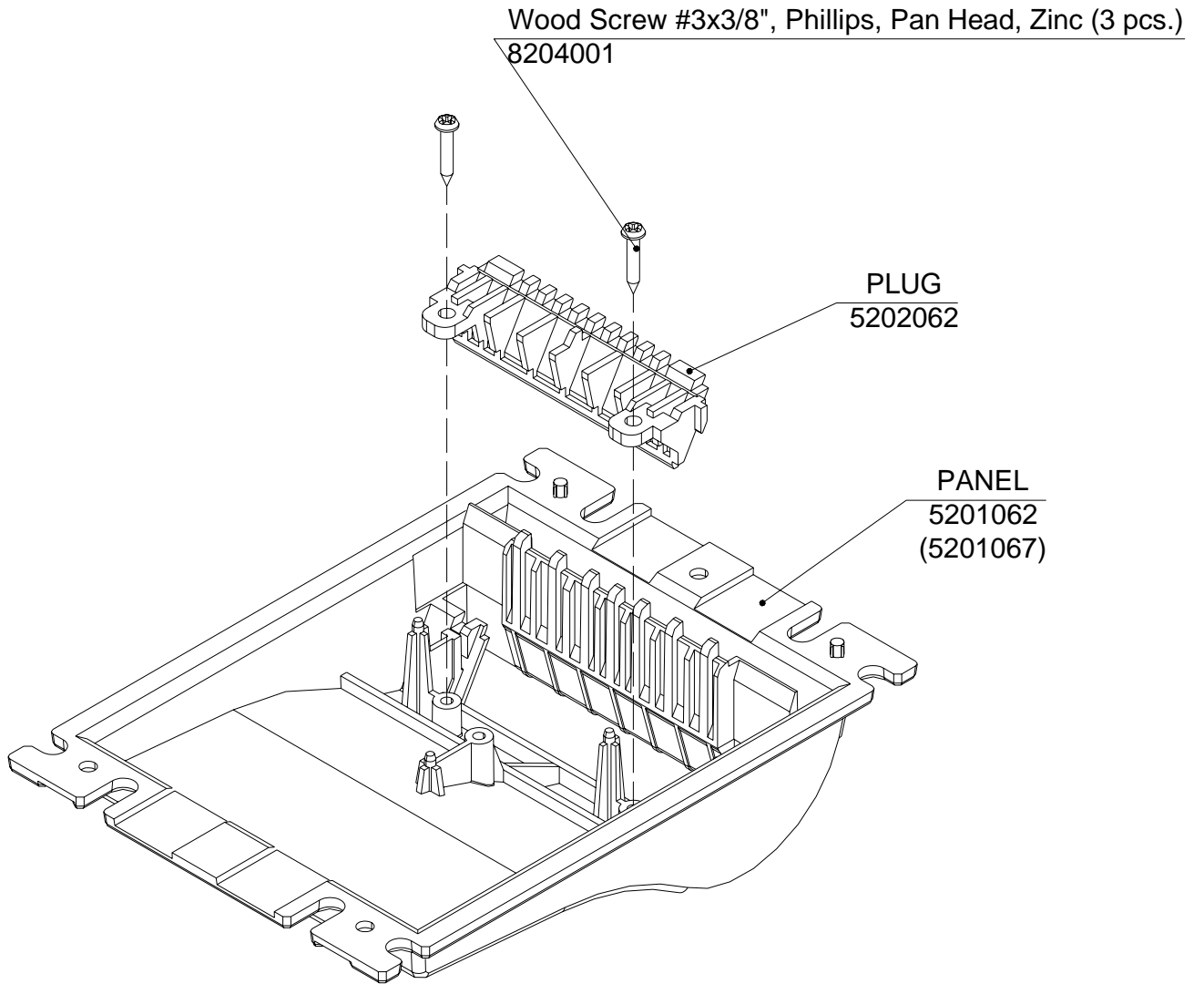
### Step 1

- Remove wood screw #3x3/8"
- Remove board and 2 cable
- Disconnect the cable 0500098 from board



**Step 2**

- Remove 2 wood screws #3x3/8"
- Remove plug



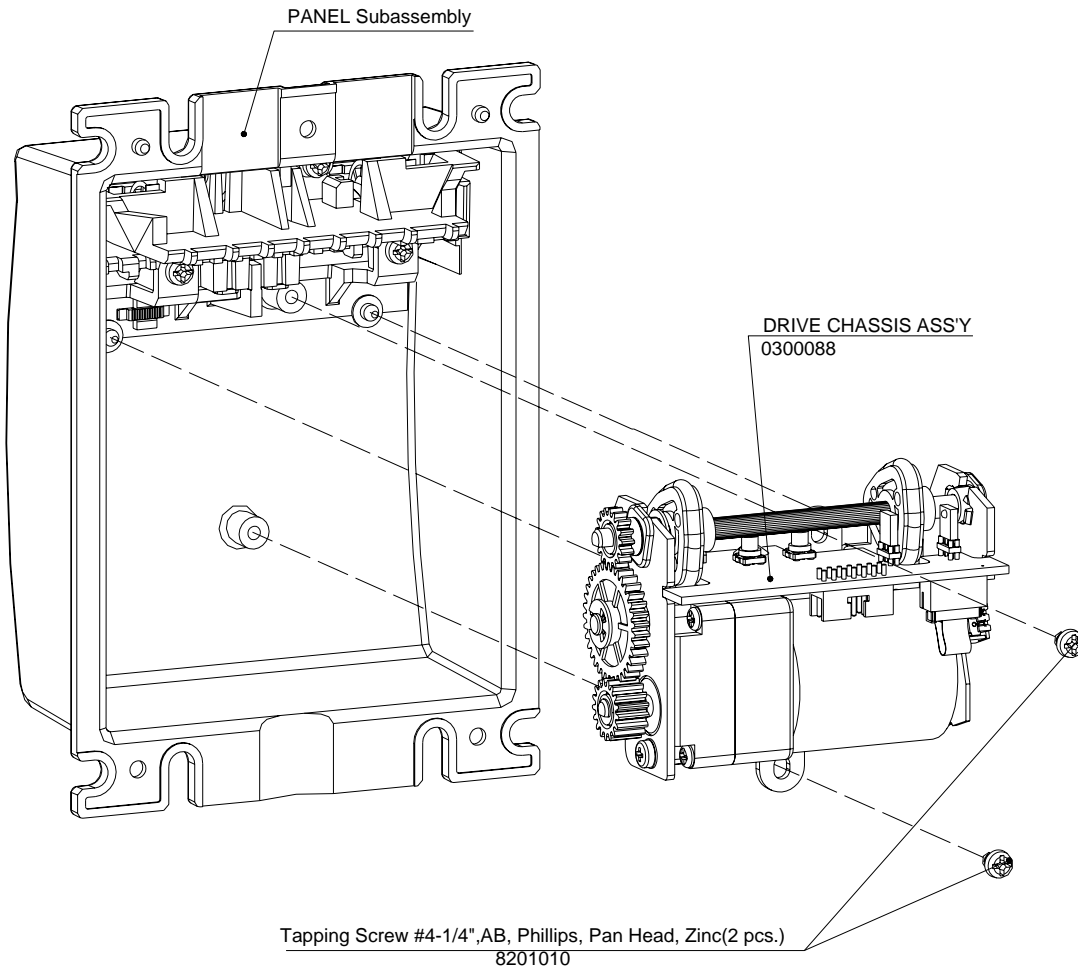
## DISASSEMBLY OF UP METAL BAZEL 0100232 (0100234)

### Tools required:

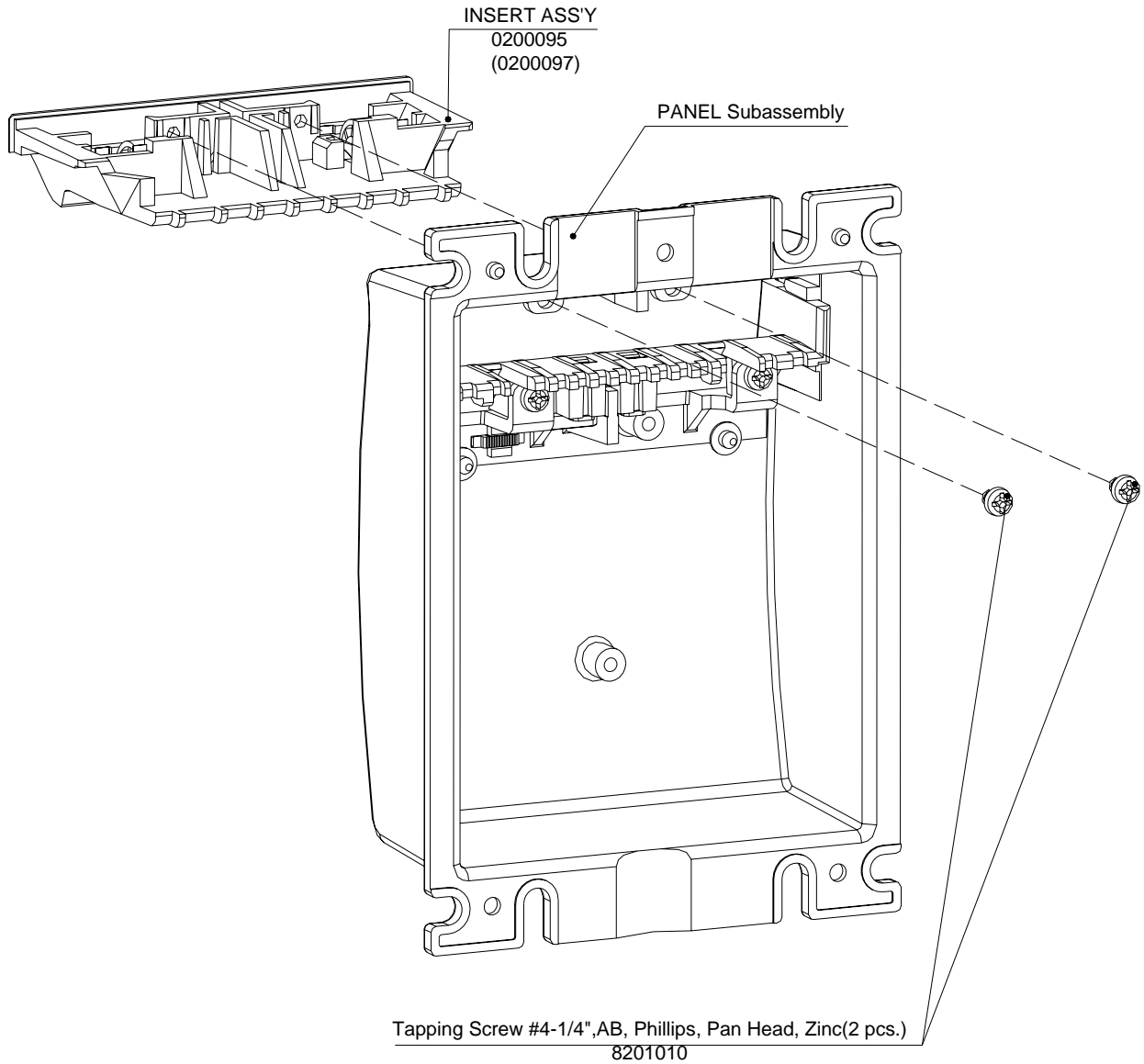
- Electroscrowdriver

### Step 1

- Remove 2 tapping screws
- Remove drive chassis

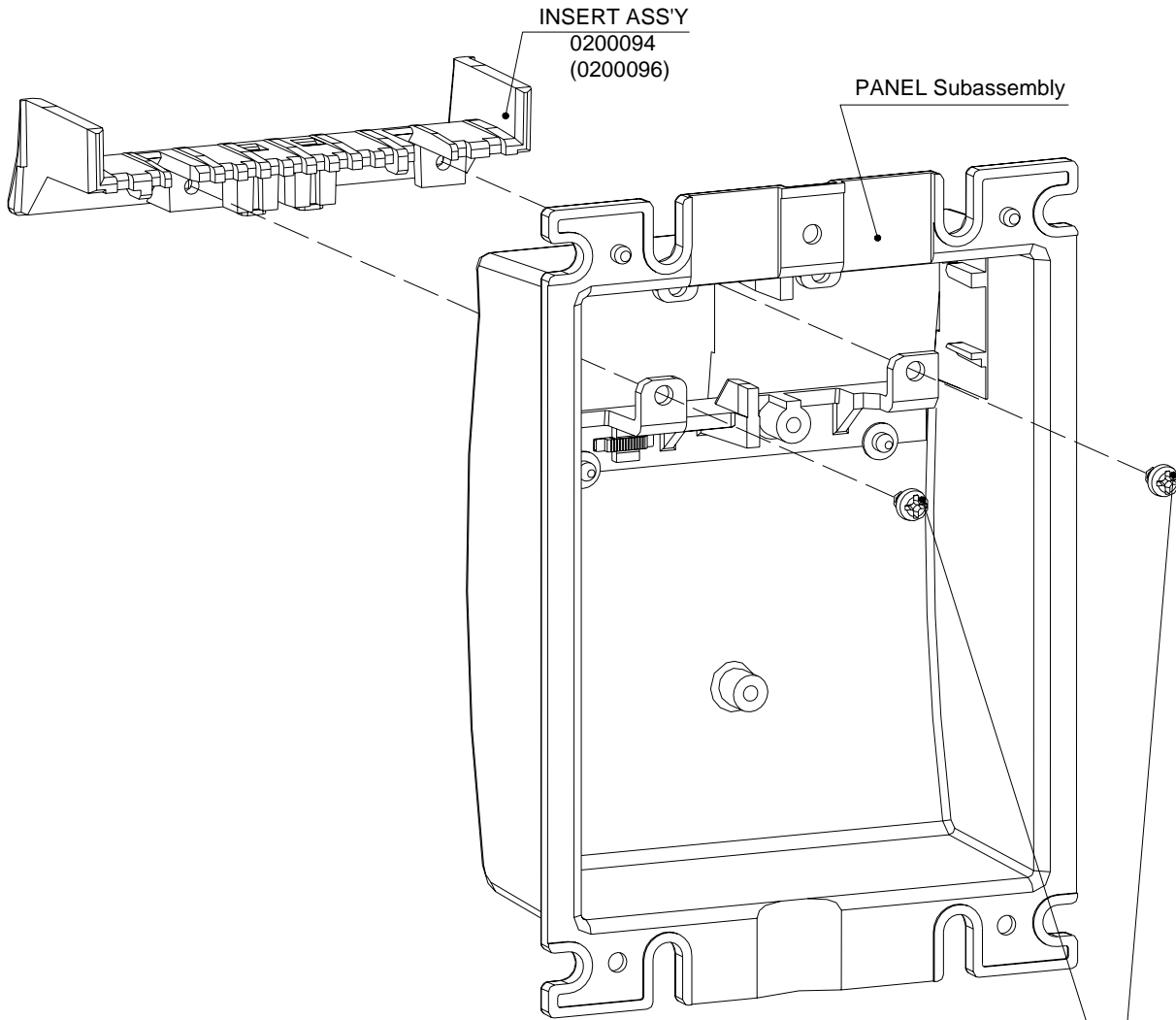


- Step 2.**  
**-Remove 2 tapping screws**  
**-Remove insert.**



**Step 3.**

- Remove 2 tapping screws
- Remove insert.



Tapping Screw #4-1/4", AB, Phillips, Pan Head, Zinc (2 pcs.)  
8201010

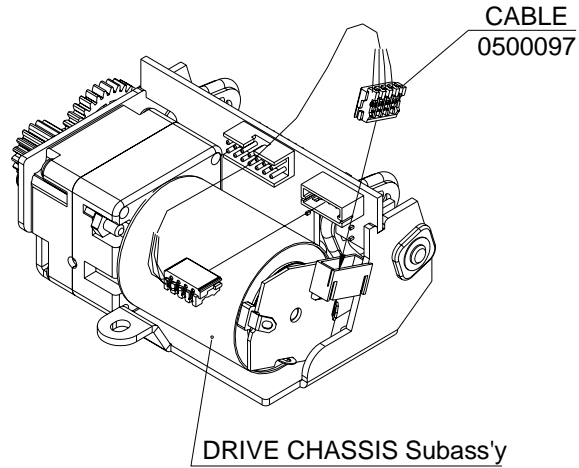
## DISASSEMBLY OF DRIVE CHASSIS 0300088

### Tools required:

- Electroscrowdriver

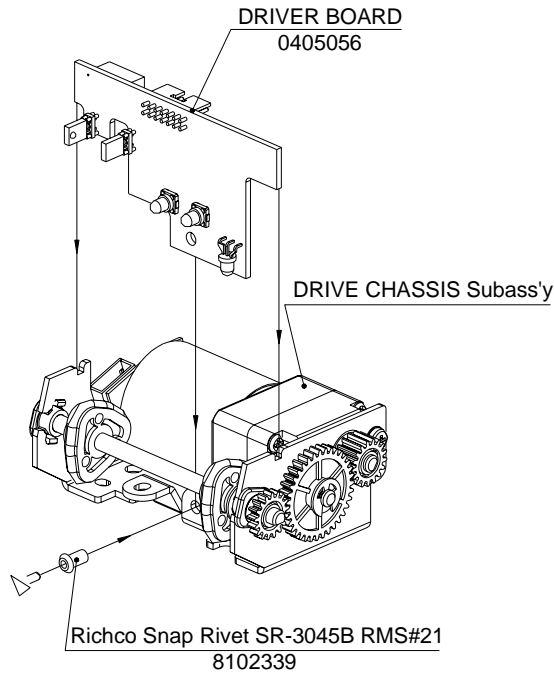
### Step 1.

- Disconnect cable from motor board



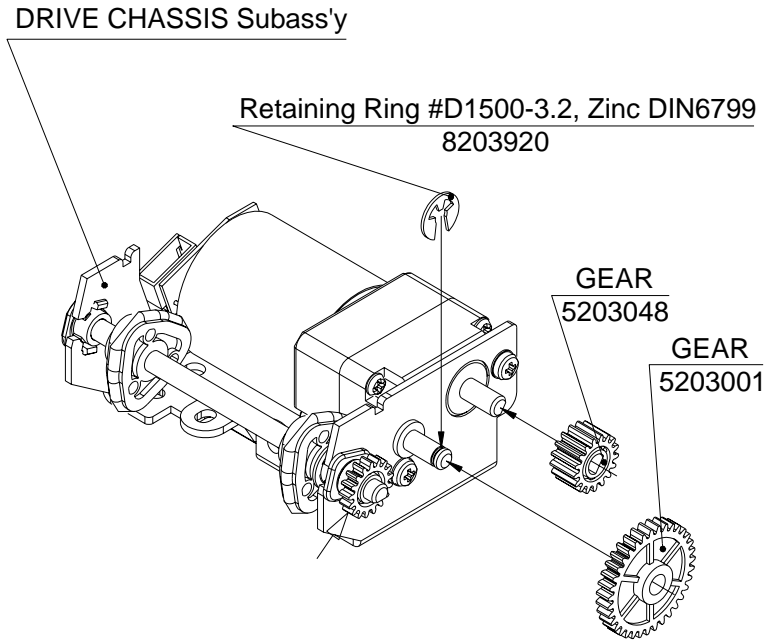
### Step 2.

- Remove snap rivet
- Remove driver board



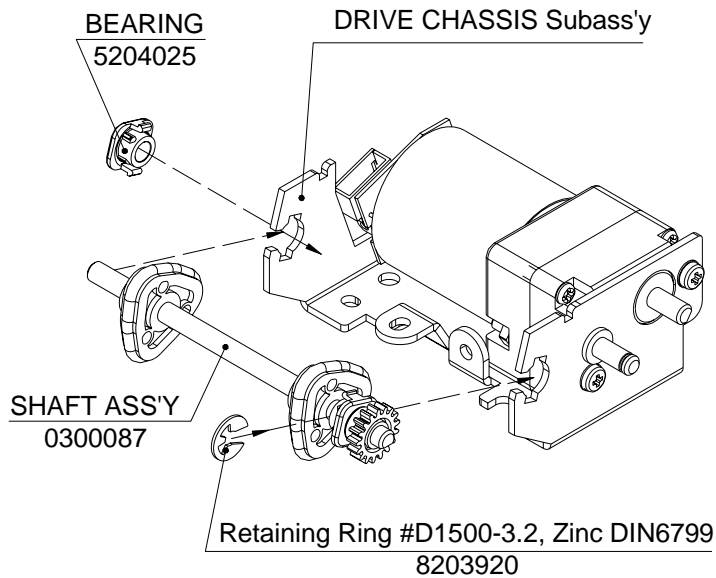
**Step 3.**

- Remove retaining ring
- Remove two gears



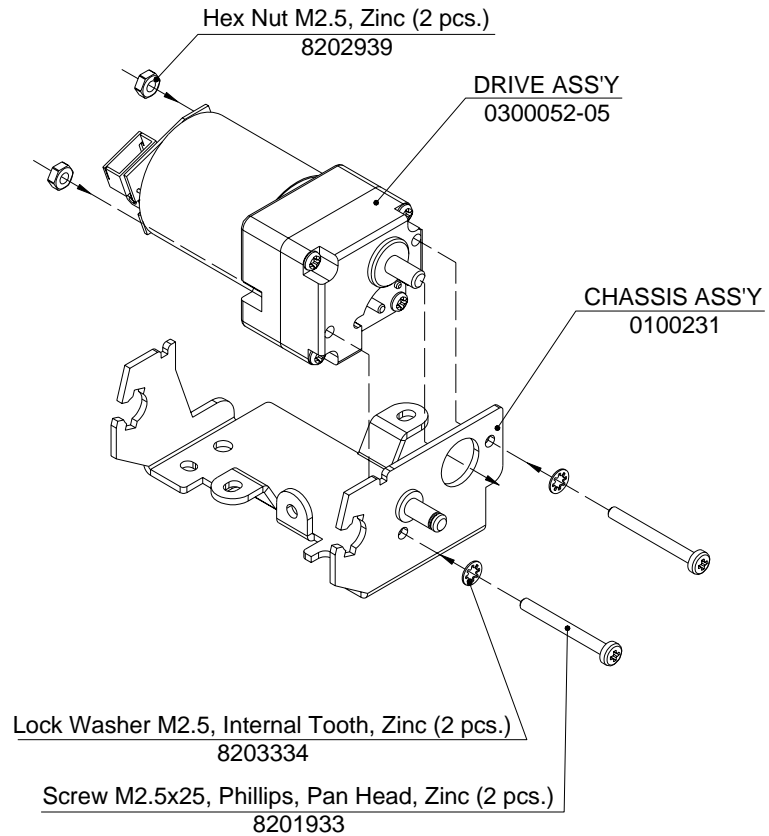
**Step 4.**

- Remove retaining ring
- Remove bearing and shaft ass'y



**Step 5.**

- Remove 2 screws, 2 hex nuts, 2 lock washers
- Remove chassis ass'y





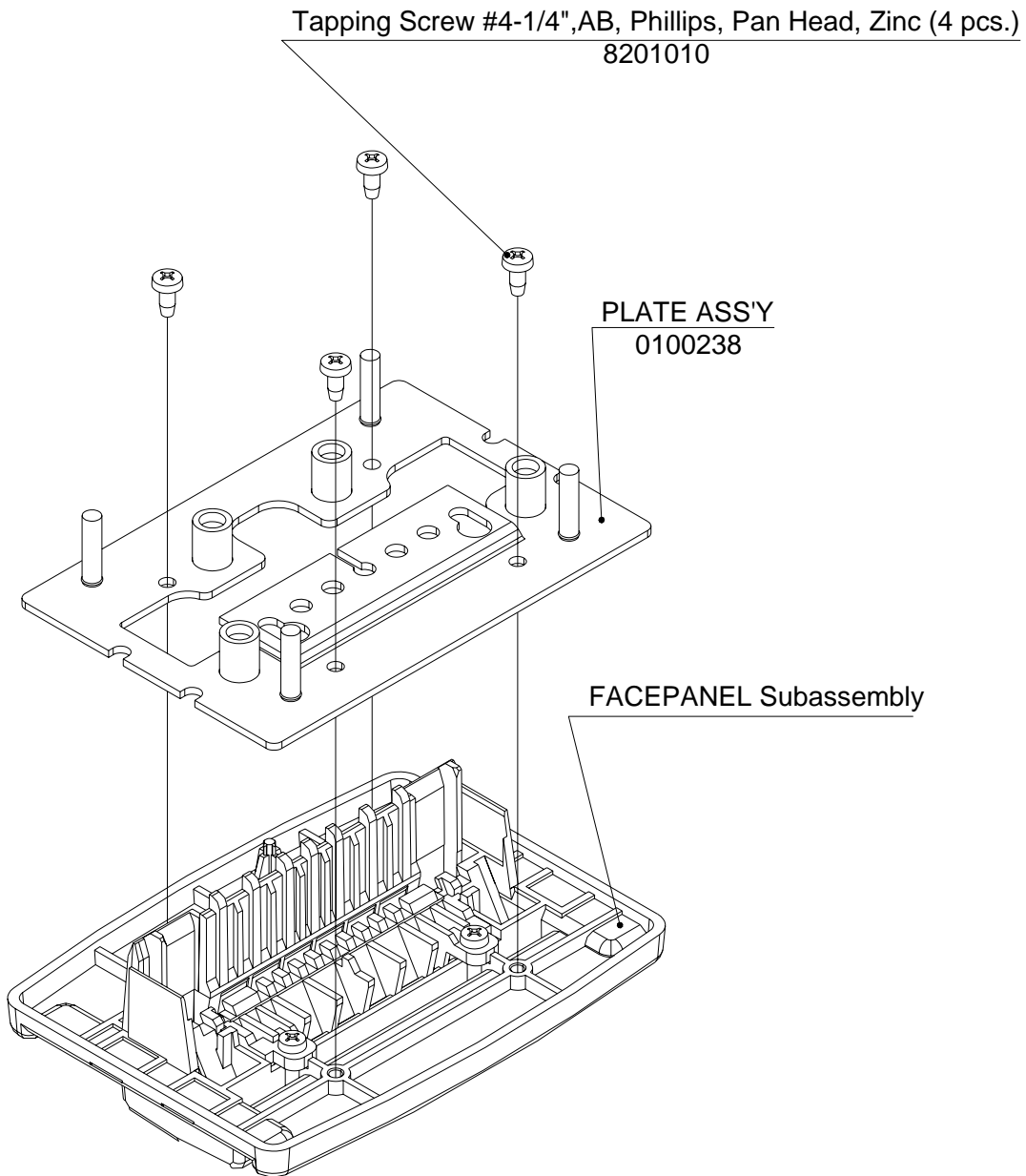
## DISASSEMBLY OF FACEPANEL 0100239

### Tools required:

- Electroscrowdriver

### Step 1.

- Remove 4 screw
- Remove facepanel



- Step 2.**  
**-Remove 2 wood screw**  
**-Remove plug**

Wood Screw #3x3/8", Phillips, Pan Head, Zinc (2 pcs.)  
8204001

