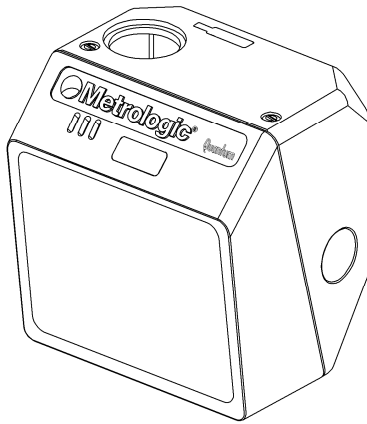


IS3480 QuantumE® Scan Engine

Installation and User's Guide



Copyright

© 2008 by Metrologic Instruments, Inc. All rights reserved. No part of this work may be reproduced, transmitted, or stored in any form or by any means without prior written consent, except by reviewer, who may quote brief passages in a review, or provided for in the Copyright Act of 1976.

Trademarks

Metrologic is a registered trademark of Metrologic Instruments, Inc. Products identified in this document are hereby acknowledged as trademarks, registered or otherwise, of Metrologic Instruments, Inc. or their respective companies.

TABLE OF CONTENTS

Introduction

Product Overview	1
Scanner and Accessories	2
Maintenance	3
Scanner Components	4
Cable Removal	4
Caution and Serial Number Labels	5
Mounting Specifications	5

Installation

RS232, RS232 TTL, Light Pen or Laser Emulation	6
RS485 or OCIA	7
Keyboard Wedge	8
Stand-Alone Keyboard	9
Low Speed USB (Integrated)	10
Notes for Laser Emulation	11

Scanner Operation

Configurable Primary and Secondary Scan Pattern Modes	12
Configurable Button Functions	12
Sweet Spot Mode	17

Indicators

Audible	18
Visual	19
Failure	20

Depth of Field Specifications

Normal Scan Zone	21
Reduced Scan Zone	22

TABLE OF CONTENTS

Depth of Field by Bar Code Element Width	
Normal Scan Zone	23
Reduced Scan Zone	24
IR Activation Range	25
Troubleshooting Guide	26
Design Specifications	29
Applications and Protocols	31
Default Settings - Communication Parameters	32
Upgrading the Firmware	37
Scanner and Cable Terminations	38
Regulatory Compliance	
Safety	43
EMC	44
Limited Warranty	46
Patents	47
Index	48
Office Locations and Contact Information	50

INTRODUCTION

QuantumE[®] is a miniature, omni-directional scanning engine with optional single-line scanning capability. The self-contained device is fully enclosed eliminating the need for an external window or custom enclosure. It is designed for use in OEM equipment such as price lookup systems and kiosks. QuantumE's slim design makes it ideal for integration and use with flat-screens.

Key Product Features

- Fully Automatic Scanning Operation
- Custom Configurable Scan Pattern
- User-Replaceable Single Cable Interface to Host (PowerLink Compatible)
- Decoding of All Standard 1D, RSS-14, RSS Limited and Expanded Bar Codes
- Data Editing
- Seven Beeper Tones
- Configurable Depth of Field
- Flash - Upgradeable Firmware
- CodeGate[®]
- Sunrise 2005 Compliant

SCANNER	INTERFACE
IS3480-9	OCIA and RS232 Transmit/Receive
IS3480-11	RS485 [◇] and Full RS232
IS3480-38	RS232 Low Speed USB, Keyboard Emulation or Serial Emulation
IS3480-41	RS232/Light Pen Emulation
IS3480-47	Keyboard Wedge, Stand-Alone Keyboard and RS232 Transmit/Receive
IS3480-104	RS232 TTL, Laser Emulation

[◇] Applicable for IBM[®] Host applications.

Scanner and Accessories

BASIC KIT COMPONENTS	
Part No.	Description
IS3480	QuantumE Scanner
00-02026	IS3480 Installation and User's Guide *
00-02407	MetroSelect® Configuration Guide *

* Guides also available for download at www.metrologic.com.

OPTIONAL ACCESSORIES	
Part No.	Description
AC to DC Power Transformer - Regulated 5.2VDC @ 1A output.	
46-00525	90VAC to 255VAC United States, Canada and Japan
46-00526	90VAC to 255VAC Continental European
46-00527	90VAC to 255VAC United Kingdom
46-00528	90VAC to 255VAC Australia
46-00529	90VAC to 255VAC China
46-00530	90VAC to 255VAC India
59-59000-3 (default)	PowerLink cable with built in power jack straight cord, short strain relief
53-53000-3 (optional)	PowerLink cable with built in power jack coiled cord, long strain relief
** Contact a Metrologic customer service representative for additional information on the MVC cable series and the host connections available.	
MVC**	Metrologic Voltage Converter Cable ±12VDC to +5.2VDC

Other items may be ordered for the specific protocol being used. To order additional items, contact the dealer, distributor or call Metrologic's customer service department at 1-800-436-3876.

Scanner and Accessories

OPTIONAL ACCESSORIES	
Part No.	Description
59-59002x-3	Keyboard Wedge PowerLink cable
59-59020x-3	Stand Alone Keyboard PowerLink cable
59-59235x-N-3	Low Speed USB Non-Locking Communication Cable straight cord, short strain relief
35-35959	Utility Flex Cable
59-59249x-N-3	Communication Cable, Host end Not Terminated straight cord, short strain relief

REPLACEMENT PARTS	
Part No.	Description
36-01822x-3	Rubber Utility Seal

Other items may be ordered for the specific protocol being used. To order additional items, contact the dealer, distributor or call Metrologic's customer service department at 1-800-436-3876.

Maintenance

Smudges and dirt on the unit's window can interfere with the unit's performance. If the window requires cleaning, use only a mild glass cleaner containing no ammonia. When cleaning the window, spray the cleaner onto a lint free, non-abrasive cleaning cloth then gently wipe the window clean.

If the unit's case requires cleaning, use a mild cleaning agent that does not contain strong oxidizing chemicals. Strong cleaning agents may discolor or damage the unit's exterior.

Scanner Components

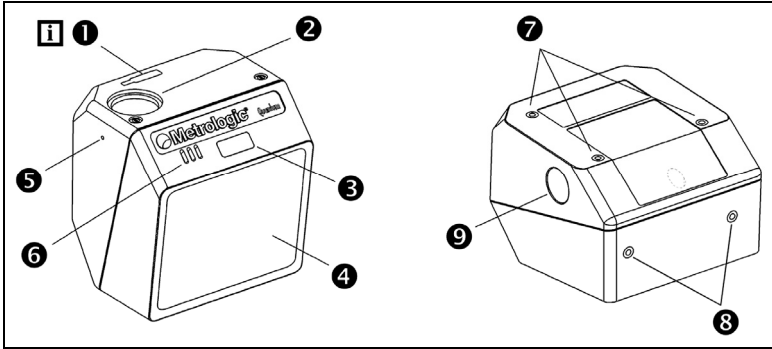


Figure 1a. Scanner Components

ITEM NO.	DESCRIPTION
1	Utility Connector Located Under Rubber Seal i The rubber seal protecting the utility connector should only be removed if the utility connector is to be used.
2	10-Pin RJ45, Female Socket
3	Blue, White and Yellow LED Indicators
4	Red Output Window (Laser Aperture)
5	Pin Hole for Cable Release
6	Speaker
7	Three M2.5 x 0.45 Threaded Mounting Points
8	Two M2.5 x 0.45 Threaded Mounting Points
9	Button

Cable Removal

1. Locate the small 'pinhole' on the side of the QuantumE near the cable (*item 5 in figure 1a*).
2. Bend an ordinary paperclip into the shape shown.
3. Insert the paperclip (or other small metallic pin) into the 'pinhole'.
4. There will be a faint 'click' when the cable lock is released. Pull gently on the strain-relief of the PowerLink cable to remove it from the scanner.

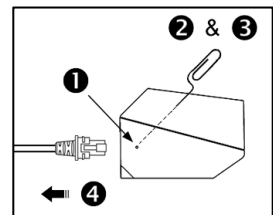


Figure 1b.

INTRODUCTION

Caution and Serial Number Labels

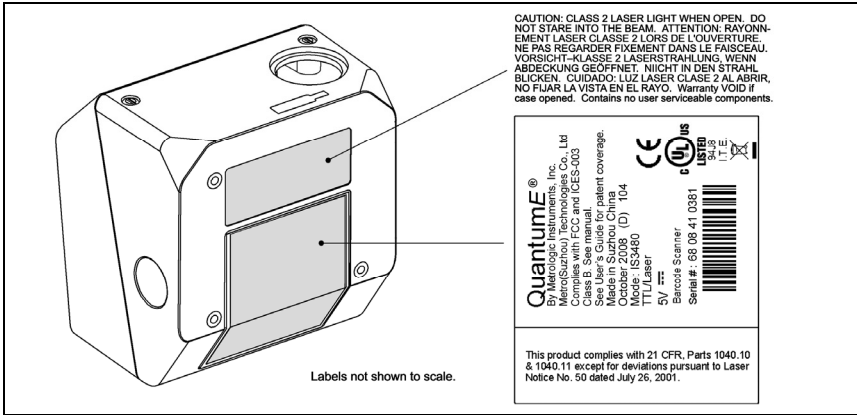


Figure 2.



Caution

To maintain compliance with applicable standards, all circuits connected to the scanner must meet the requirements for SELV (Safety Extra Low Voltage) according to EN/IEC 60950-1.

To maintain compliance with standard CSA C22.2 No. 60950-1/UL 60950-1 and norm EN/IEC 60950-1, the power source should meet applicable performance requirements for a limited power source.

Mounting Specifications

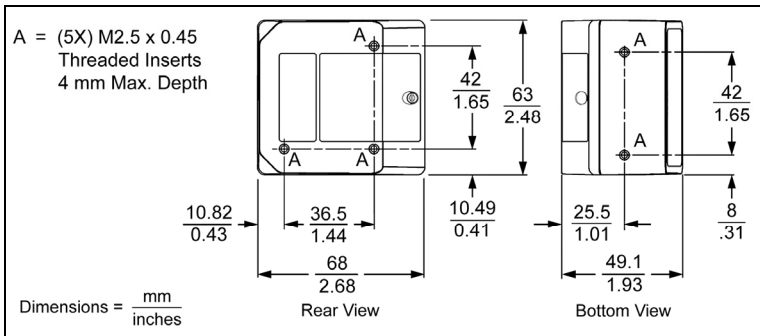


Figure 3.

RS232, RS232 TTL, Light Pen or Laser Emulation

1. Turn off the host device.
2. Plug the male 10-pin RJ45 end of the PowerLink cable into the 10-pin socket on the IS3480.
3. Connect the 9-pin female end of the PowerLink cable to the host device.

Note: Skip to step 6 if receiving power from the host device.

4. Plug the external power supply into the power jack on the PowerLink cable.



Check the AC input requirements of the power supply to make sure the voltage matches the AC outlet. The outlet must be located near the equipment and be easily accessible.

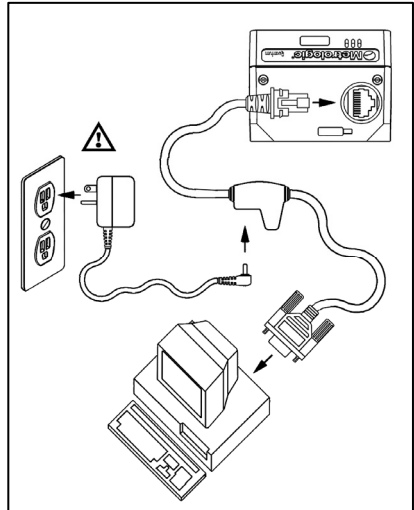


Figure 4.

5. Connect AC power to the transformer.
6. Turn on the host device.



When the scanner first receives power, the blue LED will turn on; the scanner will simultaneously beep once and flash the white LED.



Plugging the scanner into the serial port of the PC does not guarantee that scanned information will appear at the PC. A software driver and correct configuration setting are also required for proper communication to occur.



See page 5.

INSTALLATION

RS485[◇] or OCIA

1. Turn off the host device.
2. Plug the male 10-pin RJ45 end of the MVC cable into the 10-pin socket on the IS3480.
3. Connect the other end of the MVC cable to the host device.
4. Turn on the host device.

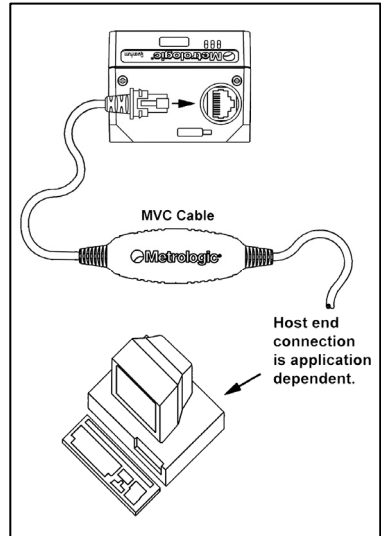


Figure 5.



When the scanner first receives power, the blue LED will turn on; the scanner will simultaneously beep once and flash the white LED.



Plugging the scanner into the serial port of the PC does not guarantee that scanned information will appear at the PC. A software driver and correct configuration setting are also required for proper communication to occur.



See page 5.

[◇] Applicable for IBM[®] Host applications.

INSTALLATION

Keyboard Wedge

1. Turn off the host device.
2. Plug the male 10-pin RJ45 end of the PowerLink cable into the 10-pin socket on the IS3480.
3. Disconnect the keyboard from the host device.
4. Connect the “Y” end of the PowerLink cable to the keyboard and the keyboard port on the host device. If necessary, use the male/female adapter cable supplied with the scanner for proper connections.
5. Plug the external power supply into the power jack on the PowerLink cable.



Check the AC input requirements of the power supply to make sure the voltage matches the AC outlet. The outlet must be located near the equipment and be easily accessible.

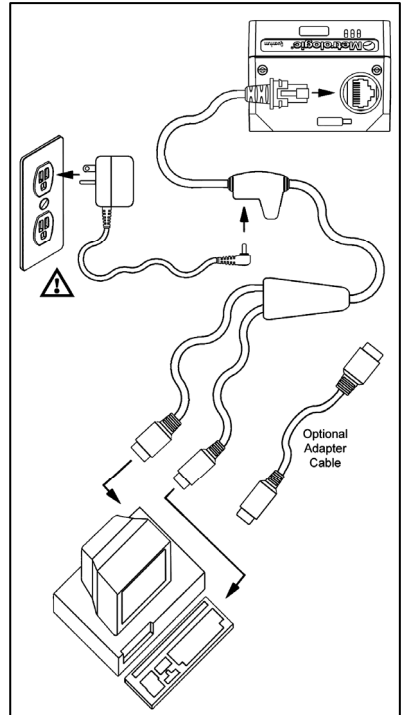


Figure 6.

6. Connect AC power to the transformer.
7. Turn on the host device.



When the scanner first receives power, the blue LED will turn on; the scanner will simultaneously beep once and flash the white LED.



Powering the IS3480 directly from the host device can sometimes cause interference with the operation of the scanner or the computer. Not all computers supply the same current through the keyboard port. For this reason, Metrologic recommends using an external power supply. For additional information, contact a Metrologic customer service representative.



See page 5.

Stand-Alone Keyboard

1. Turn off the host device.
2. Plug the male 10-pin RJ45 end of the PowerLink cable into the 10-pin socket on the IS3480.
3. Connect the other end of the PowerLink cable to the keyboard port on the host device.
4. Plug the external power supply into the power jack on the PowerLink cable.



Check the AC input requirements of the power supply to make sure the voltage matches the AC outlet. The outlet must be located near the equipment and be easily accessible.

5. Connect AC power to the transformer.
6. Turn on the host device.

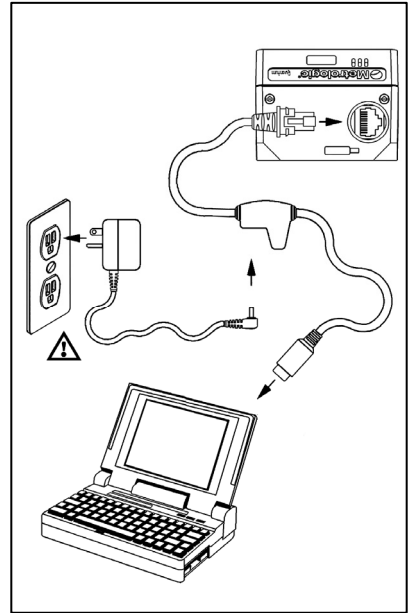


Figure 7.



When the scanner first receives power, the blue LED will turn on; the scanner will simultaneously beep once and flash the white LED.



Powering the IS3480 directly from the host device can sometimes cause interference with the operation of the scanner or the computer. Not all computers supply the same current through the keyboard port. For this reason, Metrologic recommends using an external power supply. For additional information contact a Metrologic customer service representative.



See page 5.

Low Speed USB (Integrated)

1. Turn off the host device.
2. Plug the male 10-pin RJ45 end of the USB PowerLink cable into the 10-pin socket on the IS3480.
3. Plug the other end of the USB interface cable into the host device's USB port.
4. Turn on the host device.



As a default, the IS3480-38 leaves the factory with USB Keyboard Emulation Mode enabled.

For information on configuring the IS3480-38 for USB Serial Emulation Mode, please refer to *Section P: Low Speed USB* in the MetroSelect Configuration Guide (MLPN 00-02407).

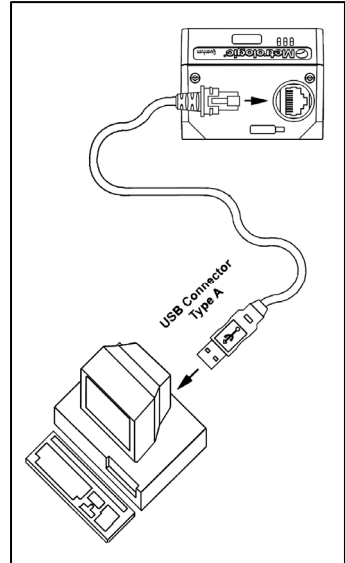


Figure 8.



When the scanner first receives power, the blue LED will turn on; the scanner will simultaneously beep once and flash the white LED.



Plugging the scanner into the USB port of the PC does not guarantee that scanned information will appear at the PC. A software driver and correct configuration setting are also required for proper communication to occur.



See page 5.

Notes for Laser Emulation

IS3480-104 Only

The IS3480-104 leaves the factory with the Laser Emulation Mode enabled. If the Recall Defaults bar code is scanned while reconfiguring the scanner, the laser emulation mode will no longer be enabled.

Scan the following bar code to re-enable the laser emulation interface. This feature is only supported for IS3480-104 models.

Enable Laser Emulation Mode



Configurable Primary and Secondary Scan Pattern Modes

There are two configurable scan pattern modes available with the IS3480.

- The **primary** scan pattern mode is the default scan pattern active when the scanner starts.
- The **secondary** scan pattern mode is activated by pressing the button located on the side of the scanner. This mode is also referred to as the button mode. For additional information on QuantumE's button modes and an example of each, please refer to *Configurable Button Functions* below.



The scanner returns to the primary scan pattern mode after a double click of the button or if the unit has not scanned a bar code for the duration of a pre-configured time limit.

Each pattern mode can be configured to use one of three scan patterns listed below. Please refer to the MetroSelect Configuration Guide for information on changing the default scan pattern settings.

- all scan lines on (omnidirectional reading)
- single-line (menu reading)
- horizontal raster



If CodeGate is *enabled*, it will apply to the secondary pattern mode when scanning. For detailed information on CodeGate and the button refer to the *Configurable Button Functions*.

Configurable Button Functions

The button on the side of the IS3480 can be configured to function in one of four modes.

- Button *Click* Mode, with CodeGate Enabled (Default)
- Button *Click* Mode, with CodeGate Disabled
- Button *Hold* Mode, with CodeGate Enabled
- Button *Hold* Mode, with CodeGate Disabled

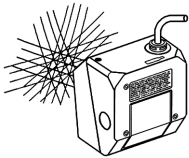
The following pages include examples of how the button will function when the unit has been configured to operate in each of the four button modes.

Configurable Button Functions

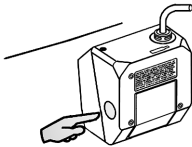
SECONDARY SCAN PATTERN BUTTON CLICK MODE WITH CODEGATE ENABLED



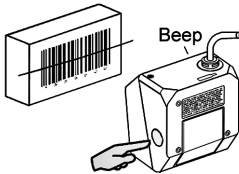
For illustration purposes the unit's primary scan pattern has been set to *all scan lines (omnidirectional reading)* and the secondary pattern has been set to *single-line (menu reading)* with a 10 second button click timeout configured.



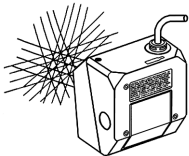
1. The primary scan pattern is active when the scanner starts.



2. To activate the secondary scan pattern, **press and release** the button.



3. To decode and transmit the bar code, **press and release** the button. The scanner will beep once.



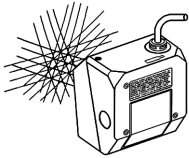
4. To reactivate the primary scan pattern, **double click** the button or after 10-seconds of no-scanning the unit will automatically reactivate the primary pattern.

Configurable Button Functions

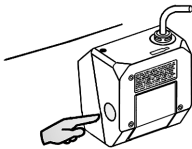
SECONDARY SCAN PATTERN BUTTON CLICK MODE WITH CODEGATE DISABLED



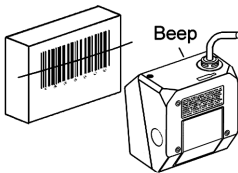
For illustration purposes the unit's primary scan pattern has been set to *all scan lines (omnidirectional reading)* and the secondary pattern has been set to *single-line (menu reading)* with a 10 second button click timeout configured.



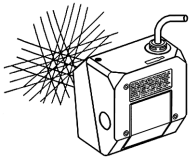
1. The primary scan pattern is active when the scanner starts.



2. To activate the secondary scan pattern, **press and release** the button.



3. The unit will beep once as it decodes and transmits the bar code.



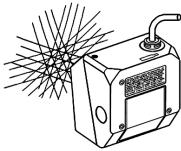
4. To reactivate the primary scan pattern, **double click** the button or after 10-seconds of no-scanning the unit will automatically reactivate the primary pattern.

Configurable Button Functions

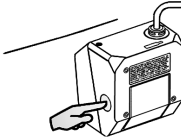
SECONDARY SCAN PATTERN
BUTTON HOLD MODE WITH CODEGATE ENABLED



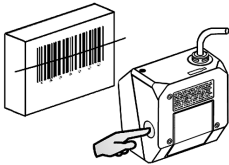
For illustration purposes the unit's primary scan pattern has been set to *all scan lines (omnidirectional reading)* and the secondary pattern has been set to *single-line (menu reading)* with a 10 second button click timeout configured.



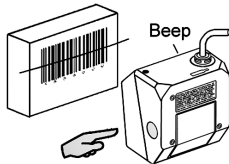
1. The primary scan pattern is active when the scanner starts.



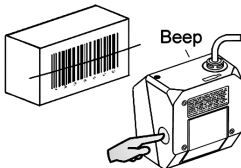
2. To activate the secondary scan pattern, **press and hold** the button.



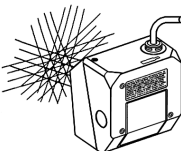
3. To scan the bar code, **align** the laser line over the bar code while continuing to **hold** down the button.



4. To transmit the bar code, **release** the button. The scanner will beep once.



5. To scan and transmit additional bar codes, **repeat** steps 2 through 4.



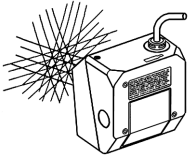
6. The primary scan pattern will automatically reactivate after the button is released and no bar code is present in the scan field.

Configurable Button Functions

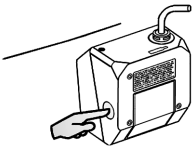
SECONDARY SCAN PATTERN
BUTTON HOLD MODE WITH CODEGATE DISABLED



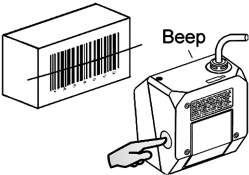
For illustration purposes the unit's primary scan pattern has been set to *all scan lines (omnidirectional reading)* and the secondary pattern has been set to *single-line (menu reading)* with a 10 second button click timeout configured.



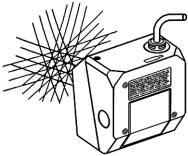
1. The primary scan pattern is active when the scanner starts.



2. To activate the secondary scan pattern, **press** and **hold** the button.



3. To scan and transmit the bar code, **align** the laser line over the bar code while continuing to **hold** down the button. The scanner will beep once to indicate the bar code has been scanned and transmitted.



4. The primary scan pattern will automatically reactivate after the button is released and no bar code is present in the scan field.

Sweet Spot Mode

The *sweet spot mode* is used to determine where the maximum read rate area or “sweet spot” is located for a specific bar code type. When activated this mode provides visual and audible feedback indicating how the scanner is scanning.

Number of Illuminated LEDs	Beeper Pitch		% of Maximum Read Rate
4	high	↑ ↓	81 - 100%
3			61 - 80%
2			41 - 60%
1			21 - 40%
0	low		0 - 20%

For further information on the sweet spot mode and instructions on how to enable it, refer the MetroSelect Configuration Guide (00-02407).

Audible Indicators

When the IS3480 is in operation, it can provide audible feedback. These sounds indicate the status of the scanner. Eight settings are available for the tone of the beep (normal, six alternate tones and no tone). For instruction on how to change the tone of the beeper, refer to the MetroSelect Configuration Guide (00-02407).



One Beep

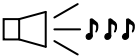
When the scanner *first* receives power the white LED will flash, the blue LED will turn on and the scanner will beep once (*the white LED will remain on for the duration of the beep*). The scanner is now ready to scan.

When the scanner *successfully* reads a bar code, the white LED will flash and the scanner beeps once (*if configured to do so*). If the scanner does not beep once and the white light does not flash, then the bar code has *not* been successfully read.



Razzberry Tone

This is a failure indicator. Refer to *Failure Mode Indicators* on page 20.

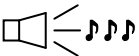


Three Beeps - during operation

When placing the scanner in configuration mode, the white LED will flash while the scanner simultaneously beeps three times. The white and blue LEDs will continue to flash until the unit exits configuration mode. Upon exiting configuration mode, the scanner will beep three times and the white LED will stop flashing.

When configured, three beeps can also indicate a communications timeout during normal scanning mode.

When using one-code-programming, the scanner will beep three times: the current selected tone, followed by a short pause, a high tone and a low tone. This tells the user that the single configuration bar code has *successfully* configured the scanner.



Three Beeps - on power up

This is a failure indicator. Refer to *Failure Mode Indicators* on page 20.

Visual Indicators

There are four LEDs located on the top of the IS3480. When the scanner is on, the flashing or constant illumination of the LEDs indicates the status of the current scan and the scanner.

No LEDs

The LEDs will not be illuminated if the scanner is not receiving power from the host or transformer. They are also not illuminated when all lasers are turned off for any reason.

Steady Blue

When the laser is active, the blue LED is illuminated. The blue LED will remain illuminated until the laser is deactivated.

Steady Blue and Single White Flash

When the scanner successfully reads a bar code, the white LED will flash and the scanner will beep once. If the white LED does not flash or the scanner does not beep once, then the bar code has not been successfully read.

Steady White and Blue

After a successful scan, the scanner transmits the data to the host device. Some communication modes require that the host inform the scanner when data is ready to be received. If the host is not ready to accept the information, the scanner's white LED will remain on until the data can be transmitted.

Alternating Blue and White Flashes

This indicates the scanner is in program mode. A razzberry tone indicates that an invalid bar code has been scanned in this mode.

Steady White, Blue Off

This indicates the scanner may be waiting for communication from the host.

Failure Mode Indicators

Flashing Blue and One Razzberry Tone

This indicates that the scanner has experienced a laser subsystem failure. Return the unit to an authorized service center for repair.

Flashing Blue and White and Two Razzberry Tones

This indicates that the scanner has experienced a motor failure. Return the unit to an authorized service center for repair.

Continuous Razzberry Tone with Both LEDs Off

If, upon power up, the scanner emits a continuous razzberry tone, then the scanner has an electronic failure. Return the unit to an authorized service center for repair.

Three Beeps - On Power Up

If the scanner beeps three times on power up then, the nonvolatile memory that holds the scanner configuration has failed. Return the unit to an authorized service center for repair.

Depth of Field Specifications*

Normal Scan Zone

Specifications are based on a 0.33 mm (13 mil) bar code.

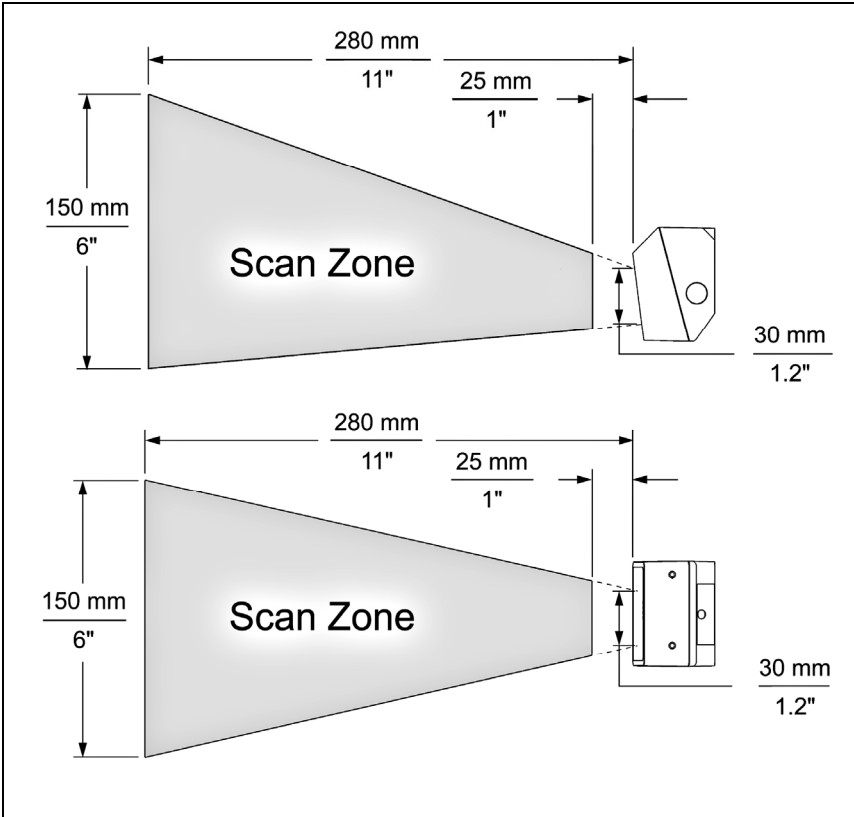


Figure 9. Normal Depth of Field

** All specifications are subject to change without notice.*

Depth of Field Specifications*

Reduced Scan Zone

Specifications are based on a 0.33 mm (13 mil) bar code.

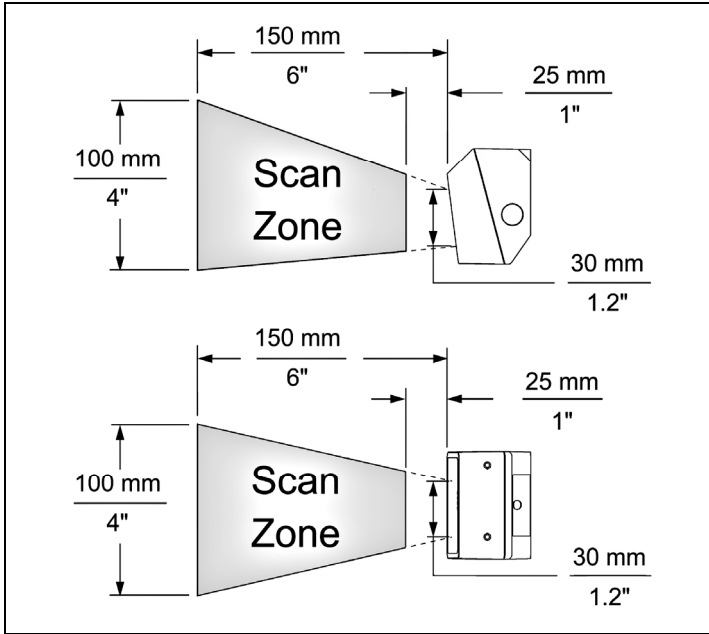
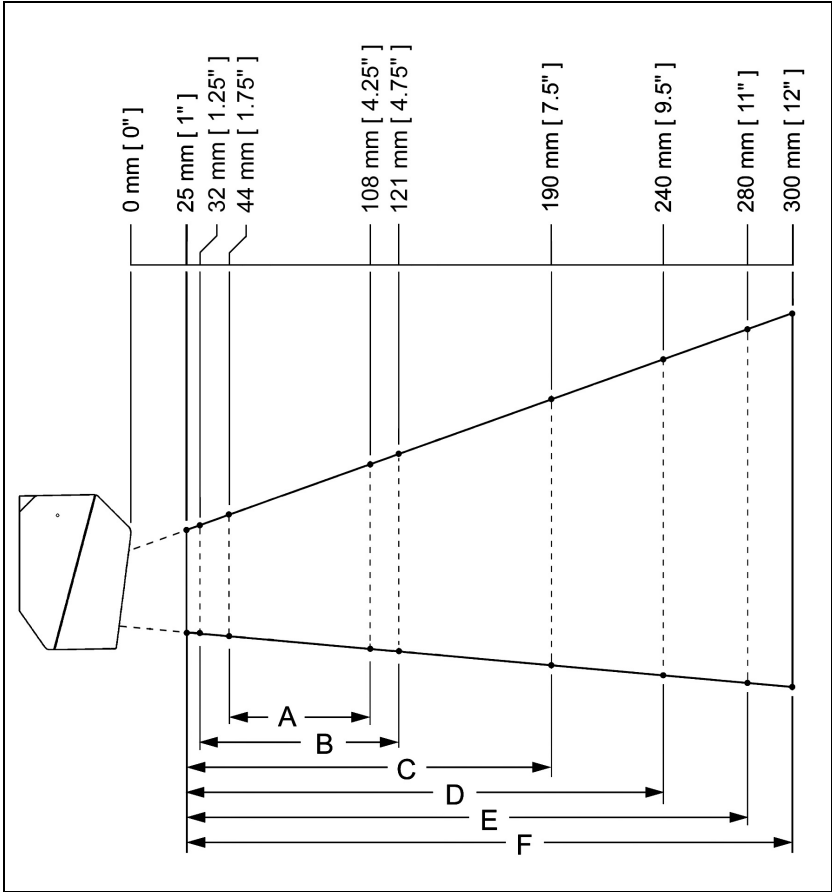


Figure 10. Reduced Depth of Field

* All specifications are subject to change without notice.

Depth of Field by Bar Code Element Width*

Normal Scan Zone



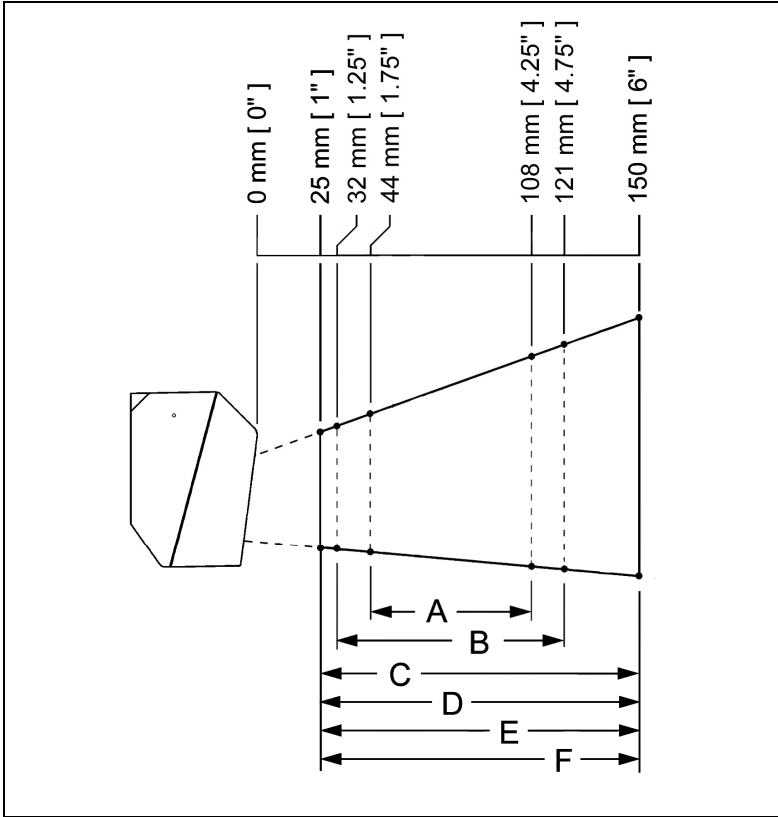
MINIMUM BAR CODE ELEMENT WIDTH						
	A	B	C	D	E	F
mm	.13	.15	.19	.25	.33	.66
mils	5.2	5.7	7.5	10	13	26

Figure 11. Normal Scan Zone by Bar Code Element Width

* All specifications are subject to change without notice.

Depth of Field by Bar Code Element Width*

Reduced Scan Zone



MINIMUM BAR CODE ELEMENT WIDTH						
	A	B	C	D	E	F
mm	.13	.15	.19	.25	.33	.66
mils	5.2	5.7	7.5	10	13	26

Figure 12. Reduced Scan Zone by Bar Code Element Width

* All specifications are subject to change without notice.

IR Activation Range*

QuantumE's default power save mode[†] is *Laser OFF*. This power save mode turns the laser off after a configured period of non-use. Any movement detected by the IR in the activation area will cause the scanner to exit power save mode. The laser will automatically turn back on preparing the scanner for bar code recognition, decoding and transmission.

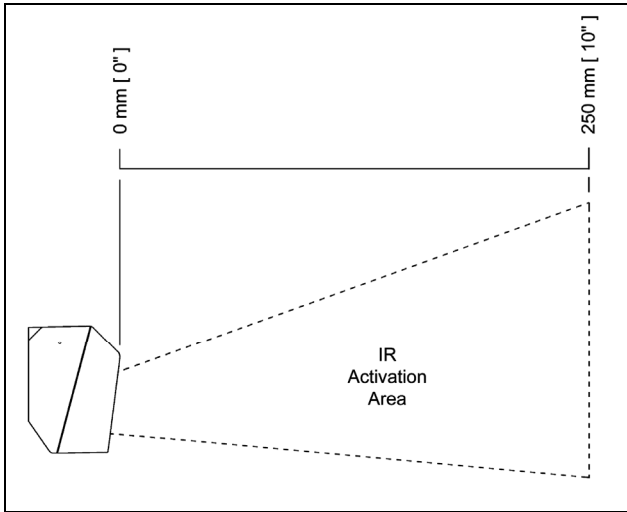


Figure 13. IR Activation Range

* All specifications are subject to change without notice.

[†] Refer to the MetroSelect Configuration Guide (00-02407) for additional information on configurable power save modes.

TROUBLESHOOTING GUIDE

The following guide is for reference purposes only. Contact a Metrologic representative at 1-800-ID-METRO or 1-800-436-3876 to preserve the limited warranty terms on page 46.

Symptoms	Possible Cause(s)	Solution
<i>All Interfaces</i>		
The unit has no LEDs, beeper or motor spin.	No power is being supplied to the scanner.	Check the transformer, outlet and power strip. Make sure the cable is plugged into the scanner.
The unit has no LEDs and/or beeper.	No power is being supplied to the scanner from host.	Some host systems cannot supply enough current to power the IS3480. Use the power supply included with the scanner.
There are multiple scans upon presentation of code.	The same symbol timeout is set too short.	Adjust the same symbol timeout for a longer time increment.
The unit powers up but does not beep.	The beeper is disabled.	Enable the beeper.
	No tone is selected.	Select a tone.
The unit powers up but does not scan and/or beep.	The unit is trying to scan a particular symbology that is not enabled.	UPC/EAN, Code 39, Interleaved 2 of 5, Code 93, Code 128 and Codabar are enabled by default. Verify that the type of bar code being read has been selected
	The scanner has been programmed for a character length lock, or a minimum length and bar code being scanned does not satisfy the configured criteria.	Verify that the bar code that is being scanned falls into the criteria. <i>Typical of Non-UPC/EAN codes. The scanner defaults to a minimum of 4 character bar code.</i>
The unit scans but the data transmitted to the host is incorrect.	The scanner's data format does not match the host system requirements.	Verify that the scanner's data format matches the format required by the host. Make sure that the scanner is connected to the proper host port.

TROUBLESHOOTING GUIDE

Symptoms	Possible Cause(s)	Solution
<i>All Interfaces</i>		
The unit scans a bar code, but locks up after the first scan (<i>the white LED stays on</i>).	The scanner is configured to support some form of host handshaking but is not receiving the signal.	If the scanner is setup to support ACK/NAK, RTS/CTS, XON/XOFF or D/E, verify that the host cable and host are supporting the handshaking properly.
Scanner beeps at some bar codes and NOT for others of the same bar code symbology.	The bar code may have been printed incorrectly.	Check if it is a check digit, character or border problem.
	The scanner is not configured correctly for the type of bar code.	Check if check digits are set properly.
	The minimum symbol length setting does not work with the bar code.	Check if the correct minimum symbol length is set.
During power up the unit beeps three times.	There is a non-volatile RAM failure.	Contact a Metrologic service representative.
During power up the unit razzes continuously.	There has been a diagnostic failure.	Contact a Metrologic service representative.
During power up the unit razzes once and the blue LED flashes.	There is a VLD failure.	Contact a Metrologic service representative.
During power up the unit razzes twice and both LEDs flash.	There is a scanner motor failure.	Contact a Metrologic service representative.

TROUBLESHOOTING GUIDE

Symptoms	Possible Cause(s)	Solution
<i>RS232 Only</i>		
The unit powers up OK and scans OK but does not communicate properly to the host.	The com port at the host is not working or is not configured properly.	Check to make sure that the baud rate and parity of the scanner and the communication port match and that the program is looking for RS232 data.
	The cable is not connected to the proper com port.	
	The com port is not operating properly.	
The host is receiving data but the data does not look correct.	The scanner and host may not be configured for the same interface.	Check that the scanner and the host are configured for the same interface.
Characters are being dropped.	The intercharacter delay needs to be added to the transmitted output.	Add some intercharacter delay to the transmitted output by using the MetroSelect Configuration Guide (MLPN 00-02407).
<i>Keyboard Wedge Only</i>		
The unit scans the bar code but there is no data.	The unit may not be configured correctly.	Make sure the scanner is configured for the appropriate mode.
The unit scans but the data is not correct.	The unit may not be configured correctly.	Make sure that the proper PC type (ie. AT or PS2) is selected.
		Verify correct country code and data formatting are selected.
		Adjust the intercharacter delay.
The unit is not transmitting each character.	The unit may not be configured correctly.	Increase the interscan code delay setting. Adjust whether the F0 break is transmitted. It may be necessary to try both settings.
Alpha characters show as lower case.	The computer is in caps lock mode.	Enable <i>caps lock detect</i> setting of the scanner to detect whether the PC is operating in caps lock.
Everything works except for a couple of characters.	These characters may not be supported by the current country's key look up table.	Try operating the scanner in <i>Alt Mode</i> .

DESIGN SPECIFICATIONS

		IS3480	
Operational			
Light Source:	Visible Laser Diode (VLD) @ 650 nm		
Laser Power:	1.1 mW		
Normal Depth of Field:	25 mm - 280 mm (1" - 11")	0.33 mm (13 mil) bar code	
Reduced Depth of Field:	25 mm - 150 mm (1" - 6")		
<i>Omni Scan</i>			
	Scan Speed:	1650 scan lines per second	
	No. of Scan Lines:	20	
<i>Single-Line</i>			
	Scan Speed:	80 scan lines per second	
	No. of Scan Lines:	1	
<i>Raster</i>			
	Scan Speed:	320 scan lines per second	
	No. of Scan Lines:	4	
	Motor Speed:	5000 RPM	
	Min Bar Width:	0.127 mm (5.0 mil)	
	Decode Capability:	All standard 1-D bar codes including RSS-14, RSS-Expanded, and RSS-14 Limited	
	System Interfaces:	RS232, Keyboard Wedge, Stand-Alone Keyboard, Light Pen Emulation, RS485 [◇] , Low Speed USB (Keyboard Emulation /Serial Emulation), Laser Emulation, RS232 TTL	
	Print Contrast:	35% minimum reflectance difference	
	No. Characters Read:	Up to 80 data characters Maximum number will vary based on symbology and density.	
	Beeper Operation:	7 tones or no beep	
	Indicators (LED):	Blue = laser on, ready to scan	
		White = good read, decoding	

◇ Applicable for IBM[®] Host applications.

Specifications subject to change without notice.

DESIGN SPECIFICATIONS

IS3480	
Mechanical	
Width:	63 mm (2.48")
Depth:	50 mm (1.97")
Height:	68 mm (2.68")
Weight:	6 oz (170 g)
Electrical	
Voltage Supply:	5VDC \pm 0.25V
Operating Power:	1.375 W
Standby Power:	1.0 W
Operating Current:	275 mA typical at 5VDC
Standby Current:	200 mA typical at 5VDC
DC Transformers:	Class II; 5.2VDC @ 1A
For regulatory compliance information, see pages 43 – 45.	
Environmental	
Operating Temperature:	-20°C to 40°C (-4°F to 104°F)
Storage Temperature:	-40°C to 60°C (-40°F to 140°F)
Humidity:	5% to 95% relative humidity, non-condensing
Contaminants:	Sealed to resist airborne particulate contaminants
Ventilation:	None required

Specifications subject to change without notice.

APPLICATIONS AND PROTOCOLS

The model number on each scanner includes the scanner number and factory default communications protocol.

SCANNER	VERSION IDENTIFIER	COMMUNICATION PROTOCOL(S)
IS3480	9	OCIA and RS232 Transmit/Receive
	11	RS485 [◇] and Full RS232C
	38	RS232 Low Speed USB, Keyboard Emulation or Serial Emulation
	41	Full RS232C/Light Pen Emulation
	47	Keyboard Wedge, Stand-Alone Keyboard and RS232 Transmit/Receive
	104	RS232 <u>T</u> ransistor to <u>T</u> ransistor <u>L</u> ogic (TTL), Laser Emulation

[◇] Applicable for IBM[®] Host applications.

The IS3480 scanner with Built-in PC Keyboard Wedge Interface is designed to be used for keyboard emulation only. Many RS232 configurable functions (e.g. formatting) available in other Metrologic scanners are also available as keyboard wedge functions.

The following are the most important selectable options specific to the keyboard wedge.

Keyboard Type

- ** AT (includes IBM[®] PS2 models 50, 55, 60, 80)
- IBM PS2 (includes models 30, 70, 8556)

Keyboard Country Type

- | | | |
|-------------|--------------------|-------------------|
| • USA ** | • Italian | • Swiss |
| • Belgium | • Japanese | • Swedish/Finnish |
| • French | • Russian Cyrillic | • Turkish |
| • German | • Slovenian | • United Kingdom |
| • Hungarian | • Spanish | |

** Default setting. For a complete list of default settings, see *Default Settings - Communication Parameters* starting on page 32 of this guide. Refer to the MetroSelect[®] Configuration Guide (MLPN 00-02407) or MetroSet2's help files for information on how to change the default settings.

DEFAULT SETTINGS - COMMUNICATION PARAMETERS

Many functions of the scanner can be "configured" - that is enabled or disabled. The scanner is shipped from the factory configured to a set of default conditions. The default parameter of the scanner has an asterisk (*) in the charts on the following pages. If an asterisk is not in the default column then the default setting is Off or Disabled. Not every interface supports every parameter. If the interface supports a parameter listed in the charts on the following pages, a check mark (✓) will appear.

PARAMETER	DEFAULT	OCIA	USB	RS232* OR RS232 TTL	LIGHT PEN	RS485 [◇]	KBW	LASER EMULATION
UPC/EAN	*	✓	✓	✓	✓	✓	✓	✓
Code 128	*	✓	✓	✓	✓	✓	✓	✓
Code 93	*	✓	✓	✓	✓	✓	✓	✓
Codabar	*	✓	✓	✓	✓	✓	✓	✓
Interleaved 2 of 5 (ITF)	*	✓	✓	✓	✓	✓	✓	✓
MOD 10 Check on ITF		✓	✓	✓	✓	✓	✓	✓
Code 11		✓	✓	✓	✓	✓	✓	✓
Code 39	*	✓	✓	✓	✓	✓	✓	✓
Full ASCII Code 39		✓	✓	✓	✓	✓	✓	✓
MOD 43 Check on Code 39		✓	✓	✓	✓	✓	✓	✓
MSI-Plessey		✓	✓	✓	✓	✓	✓	✓
MSI-Plessey 10/10 Check Digit		✓	✓	✓	✓	✓	✓	✓
MSI-Plessey MOD 10 Check Digit		✓	✓	✓	✓	✓	✓	✓
Paraf Support		✓	✓	✓	✓	✓	✓	✓
ITF Symbol Lengths	Variable	✓	✓	✓	✓	✓	✓	✓
Minimum Symbol Length	4	✓	✓	✓	✓	✓	✓	✓
Symbol Length Lock	None	✓	✓	✓	✓	✓	✓	✓
RSS14 Enable		✓	✓	✓	✓	✓	✓	✓
RSS14 ID "je0"	*	✓	✓	✓	✓	✓	✓	✓
RSS14 App ID "01"	*	✓	✓	✓	✓	✓	✓	✓
RSS14 Check Digit	*	✓	✓	✓	✓	✓	✓	✓
RSS Expanded Enable		✓	✓	✓	✓	✓	✓	✓

[◇] Applicable for IBM® Host applications.

DEFAULT SETTINGS - COMMUNICATION PARAMETERS

PARAMETER	DEFAULT	OCIA	USB	RS232* OR RS232 TTL	LIGHT PEN	RS485 [◇]	KBW	LASER EMULATION
Expanded ID "je0"	*	✓	✓	✓	✓	✓	✓	✓
RSS Limited Enable		✓	✓	✓	✓	✓	✓	✓
RSS Limited ID "je0"	*	✓	✓	✓	✓	✓	✓	✓
RSS Limited App ID "01"	*	✓	✓	✓	✓	✓	✓	✓
RSS Limited Check Digit	*	✓	✓	✓	✓	✓	✓	✓
Bars High as Code 39	*				✓			✓
Spaces High as Code 39					✓			✓
Bars High as Scanned					✓			✓
Spaces High as Scanned					✓			✓
DTS/SIEMENS		✓						
DTS/NIXDORF	*	✓						
NCR F		✓						
NCR S		✓						
Poll Light Pen Source					✓			
Beeper Tone	Normal	✓	✓	✓	✓	✓	✓	✓
Beep/Transmit Sequence	Before Transmit	✓	✓	✓	✓	✓	✓	✓
Communication Timeout	None	✓	✓	✓	✓	✓	✓	✓
Razzberry Tone on Timeout		✓	✓	✓	✓	✓	✓	✓
Three Beeps on Timeout		✓	✓	✓	✓	✓	✓	✓
No Beeps on Timeout	*	✓	✓	✓	✓	✓	✓	✓
Enter Power Save Mode	10 mins.	✓	✓	✓	✓	✓	✓	✓
Same Symbol Rescan Timeout: 500 msec Programmable in 50 msec steps (MAX 6.35 seconds)	*	✓	✓	✓	✓	✓	✓	✓
Intercharacter Delay Programmable in 1 msec steps (MAX 255 msec)	1 msec 10 msec in KBW	✓	✓	✓		✓	✓	
Number of Scan Buffers	1	✓	✓	✓	✓	✓	✓	✓

[◇] Applicable for IBM® Host applications.

DEFAULT SETTINGS - COMMUNICATION PARAMETERS

PARAMETER	DEFAULT	OCIA	USB	RS232* OR RS232 TTL	LIGHT PEN	RS485 [◇]	KBW	LASER EMULATION
Transmit UPC-A Check Digit	*	✓	✓	✓	✓	✓	✓	✓
Transmit UPC-E Check Digit			✓	✓	✓	✓	✓	✓
Expand UPC-E		✓	✓	✓	✓	✓	✓	✓
Convert UPC-A to EAN-13		✓	✓	✓		✓	✓	
Transmit Lead Zero on UPC-E		✓	✓	✓	✓	✓	✓	✓
Convert EAN-8 to EAN-13		✓	✓	✓		✓	✓	
Transmit UPC-A Number System	*	✓	✓	✓	✓	✓	✓	✓
Transmit UPC-A Manufacturer ID#	*	✓	✓	✓	✓	✓	✓	✓
Transmit UPC-A Item ID#	*	✓	✓	✓	✓	✓	✓	✓
Transmit Codabar Start/Stop Characters		✓	✓	✓		✓	✓	
CLSI Editing (Enable)		✓	✓	✓		✓	✓	
Transmit Mod 43 Check Digit on Code 39		✓	✓	✓		✓	✓	
Transmit Code 39 Stop/Start Characters		✓	✓	✓		✓	✓	
Transmit Mod 10/ITF		✓	✓	✓		✓	✓	
Transmit MSI-Plessey Check Characters		✓	✓	✓		✓	✓	
Parity	Space			✓				
Baud Rate	9600			✓				
8 Data Bits				✓				
7 Data Bits	*			✓				
Stop Bits	2			✓				
Transmit Sanyo ID Characters			✓	✓			✓	

[◇] Applicable for IBM® Host applications.

DEFAULT SETTINGS - COMMUNICATION PARAMETERS

PARAMETER	DEFAULT	OCIA	USB	RS232* OR RS232 TTL	LIGHT PEN	RS485 [◇]	KBW	LASER EMULATION
Nixdorf ID			✓	✓			✓	
LRC Enabled			✓	✓			✓	
UPC Prefix			✓	✓			✓	
UPC Suffix			✓	✓			✓	
Transmit AIM ID Characters			✓	✓			✓	
STX Prefix			✓	✓			✓	
ETX Suffix			✓	✓			✓	
Carriage Return	*		✓	✓			✓	
Line Feed - disabled by default in KBW	*		✓	✓			✓	
Tab Prefix			✓	✓			✓	
Tab Suffix			✓	✓			✓	
“DE” Disable Command				✓				
“FL” Laser Enable Command				✓				
DTR Handshaking Support				✓				
RTS/CTS Handshaking				✓				
Character RTS/CTS	*			✓				
Message RTS/CTS				✓				
XON/XOFF Handshaking				✓				
ACK/NAK				✓				
Two Digit Supplements		✓	✓	✓	as code 39	✓	✓	as code 39
Five Digit Supplements		✓	✓	✓	as code 39	✓	✓	as code 39
Bookland		✓	✓	✓	as code 39	✓	✓	as code 39
977 (2 digit) Supplemental Requirement		✓	✓	✓	✓	✓	✓	✓

[◇] Applicable for IBM® Host applications.

DEFAULT SETTINGS - COMMUNICATION PARAMETERS

PARAMETER	DEFAULT	OCIA	USB	RS232* OR RS232 TTL	LIGHT PEN	RS485 [◇]	KBW	LASER EMULATION
Supplements are not Required	*	✓	✓	✓	✓	✓	✓	✓
Two Digit Redundancy	*	✓	✓	✓	✓	✓	✓	✓
Five Digit Redundancy		✓	✓	✓	✓	✓	✓	✓
100 msec to Find Supplement Programmable in 100msec steps (MAX 800 msec)	*	✓	✓	✓	✓	✓	✓	✓
Coupon Code 128		✓	✓	✓	as code 39	✓	✓	as code 39
Programmable Code Lengths	7 avail.	✓	✓	✓	✓	✓	✓	✓
Programmable Prefix Characters	10 avail.		✓	✓			✓	
Programmable Suffix Characters	10 avail.		✓	✓			✓	
Prefixes for individual Code Types			✓	✓			✓	
Editing		✓	✓	✓	✓	✓	✓	✓
Inter Scan-Code Delay Programmable (100 µsec steps)	800 µsec						✓	
Function/Control Key Support							✓	
Minimum Element Width Programmable in 5.6 µsec steps	1 msec				✓			✓
Normal Depth of Field	*	✓	✓	✓	✓	✓	✓	✓
Reduced Depth of Field		✓	✓	✓	✓	✓	✓	✓
Sweet Spot Mode		✓	✓	✓	✓	✓	✓	✓

[◇] Applicable for IBM[®] Host applications.

UPGRADING THE FIRMWARE

The IS3480 is part of Metrologic's line of scanners with flash upgradeable firmware. The upgrade process requires, a new firmware file supplied to the customer by a customer service representative[◆] and Metrologic's MetroSet2 software^{◆◆}. A personal computer running Windows 95 or greater with an available RS232 serial or USB port is required to complete the upgrade.



Do not use the standard cable supplied with Keyboard Wedge or RS485[◆] IS3480 interface kits for firmware upgrades. If using USB or RS232 for the upgrade process, the standard USB or RS232 cable provided with the scanner can be used.

To upgrade the firmware in the IS3480:

1. Plug the scanner into a serial communication port on the host system.
2. Start the MetroSet2 software.
3. Click on the plus sign (+) next to *POS Scanners* to expand the supported scanner list.
4. Choose the *Quantum E/T* from the list.
5. Click on the Configure *Quantum E/T Scanner* button.
6. Choose *Flash Utility* from the options list located on the left side of the screen.
7. Click on the *Open File* button in the Flash Utility window.
8. Locate and open the flash upgrade file supplied by Metrologic.
9. Select the COM port that the scanner is connected to on the host system.
10. Verify the settings listed in the Flash Utility window.
11. Click on the *Flash Scanner* button to begin the flash upgrade.
12. A message will appear on the screen when the upgrade is complete.

- ◆ Metrologic's customer service department can be reached at 1-800-ID-METRO or 1-800-436-3876.
- ◆◆ MetroSet2 is available for download, at no additional cost, from <http://www.metrologic.com/corporate/download>.

◆ Applicable for IBM[®] Host applications.

Scanner Pinout Connections

The IS3480 scanner interfaces terminate to a 10-pin modular socket. The serial number label indicates the interface enabled when the scanner is shipped from the factory.

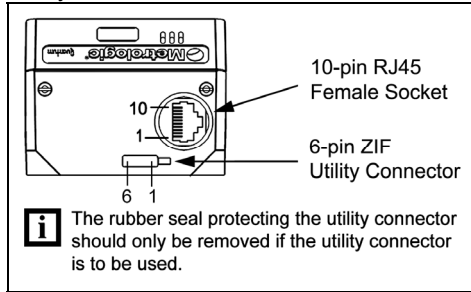


Figure 14.

IS3480-47 Keyboard Wedge and Stand-Alone Keyboard	
Pin	Function
1	Ground
2	RS232 Transmit Output
3	RS232 Receive Input
4	PC Data
5	PC Clock
6	KB Clock
7	PC +5V
8	KB Data
9	+5VDC
10	Shield Ground

IS3480-41 RS232 and Light Pen Emulation	
Pin	Function
1	Ground
2	RS232 Transmit Output
3	RS232 Receive Input
4	RTS Output
5	CTS Input
6	DTR Input/LTPN Source
7	Reserved
8	LTPN Data
9	+5VDC
10	Shield Ground

IS3480-38 RS232 Low Speed USB	
Pin	Function
1	Ground
2	RS232 Transmit Output
3	RS232 Receive Input
4	RTS Output
5	CTS Input
6	D+
7	V _{USB}
8	D-
9	+5VDC
10	Shield Ground

IS3480-11 RS485 [◇]	
Pin	Function
1	Ground
2	RS232 Transmit Output
3	RS232 Receive Input
4	RTS Output
5	CTS Input
6	DTR Input
7	IBM B-Transmit
8	IBM A+ Receive
9	+5VDC
10	Shield Ground

[◇] Applicable for IBM[®] Host applications.

Continued on next page.

SCANNER AND CABLE TERMINATIONS

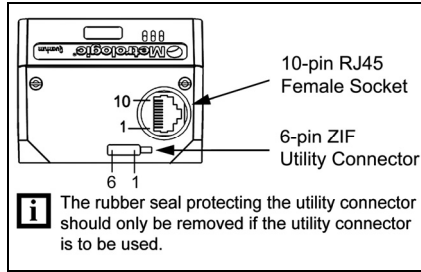


Figure 15.

IS3480-9 OCIA	
Pin	Function
1	Ground
2	RS232 Transmit Output
3	RS232 Receive Input
4	RDATA
5	RDATA Return
6	Clock In
7	Clock Out
8	Clock in Rtrn / Clock out Rtrn
9	+5VDC
10	Shield Ground

IS3480-104 RS232, RS232 TTL, or Laser Emulation	
Pin	Function
1	Ground
2	RS232 Transmit Output
3	RS232 Receive Input
4	RTS Output (TTL RS232) / Flip Sense
5	CTS Input (TTL RS232) / Trigger Emulation Output
6	DTR Input (TTL RS232) / Scan Enable
7	Receive (TTL RS232) / Good Read
8	Transmit (TTL RS232) / Scan Data
9	+5VDC
10	Shield Ground

SCANNER AND CABLE TERMINATIONS

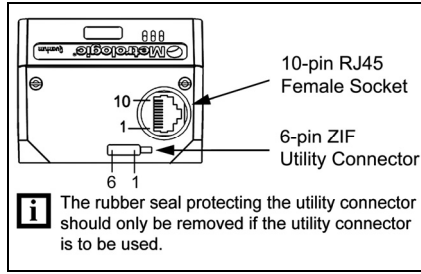


Figure 16.

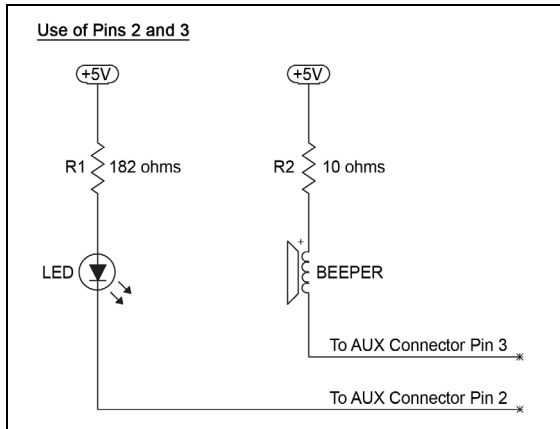

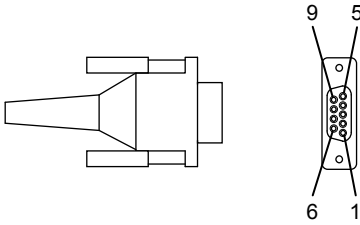




Figure 17.


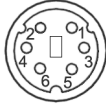
Zero Insertion Force Connector (ZIF), 6-pin Utility Connector	
Pin	Function
1	Aux +5V: Power out. Can supply up to 100mA @ 5V.
2	Good Read: Open-collector output. Low-going 20mA output for duration of 32 ms at a baud rate of 9600. Represents a successful bar code read. Can be used to drive an external LED. Requires an external current limiting resistor of 182 ohms.
3	Aux Beeper: Open-collector output. Pulsed output (50mA sink current) at a frequency of 16.67 kHz for duration of 60 ms. Represents a successful bar code read. Can be used to drive an external beeper.
4	Aux Active: Active HIGH input signal for external trigger. A HIGH on this pin is equivalent to activating the scan push button.
5	Aux Out: Reserved.
6	Ground

SCANNER AND CABLE TERMINATIONS

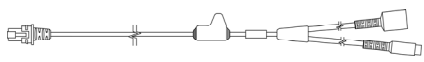


Cable Connector Configurations (Host End)

"Standard" PowerLink Cable 53-53000x-3 <i>coiled</i> or 59-59000x-3 <i>straight</i>		
Pin	Function	 <p style="text-align: center;">9-Pin D-Type Connector</p>
1	Shield Ground	
2	RS232 Transmit Output	
3	RS232 Receive Input	
4	DTR Input/Light Pen Source	
5	Power/Signal Ground	
6	Light Pen Data	
7	CTS Input	
8	RTS Output	
9	+5VDC	

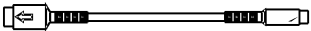

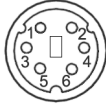
USB Power/Communication Cable 59-59235x-N-3		
Pin	Function	 <p style="text-align: center;">USB Non-Locking</p>
1	PC +5V/V_USB	
2	D-	
3	D+	
4	Ground	
Shield	Shield	

Stand Alone Keyboard PowerLink Cable 59-59020x-3		
Pin	Function	 <p style="text-align: center;">6-Pin Male Mini-DIN Connector</p>
1	PC Data	
2	No Connect	
3	Power Ground	
4	+5VDC PC Power to KB	
5	PC Clock	
6	No Connect	

Cable Connector Configurations (Host End)

Keyboard Wedge PowerLink Cable 59-59002x-3		
Pin	Function	 <p>5-Pin DIN, Female</p>
1	Keyboard Clock	
2	Keyboard Data	
3	No Connect	
4	Power Ground	
5	+5 Volts DC	
Pin	Function	 <p>6-Pin DIN, Male</p>
1	PC Data	
2	No Connect	
3	Power Ground	
4	+5 Volts DC	
5	PC Clock	
6	No Connect	

Metrologic will supply an adapter cable with a 5-pin DIN male connector on one end and a 6-pin mini DIN female connector on the other. According to the termination required, connect the appropriate end of the adapter cable to the PowerLink cable, leaving the necessary termination exposed for connecting to the keyboard and the keyboard port on the PC.

Keyboard Wedge Adapter Cable		
Pin	Function	 <p>5-Pin DIN, Male</p>
1	PC Clock	
2	PC Data	
3	No Connect	
4	Power Ground	
5	+5 Volts DC	
Pin	Function	 <p>6-pin Mini DIN, Female</p>
1	Keyboard Data	
2	No Connect	
3	Power Ground	
4	+5 Volts DC	
5	Keyboard Clock	
6	No Connect	

Safety

ITE Equipment

IEC 60950-1, EN 60950-1

Laser

Laser Class 1: IEC 60825-1:1993+A1+A2,
EN 60825-1:1994+A1+A2



Caution

Use of controls or adjustments or performance of procedures other than those specified herein may result in hazardous laser light exposure. Under no circumstances should the customer attempt to service the laser scanner. Never attempt to look at the laser beam, even if the scanner appears to be nonfunctional. Never open the scanner in an attempt to look into the device. Doing so could result in hazardous laser light exposure. The use of optical instruments with the laser equipment will increase eye hazard.

Atención

La modificación de los procedimientos, o la utilización de controles o ajustes distintos de los especificados aquí, pueden provocar una luz de láser peligrosa. Bajo ninguna circunstancia el usuario deberá realizar el mantenimiento del láser del escáner. Ni intentar mirar al haz del láser incluso cuando este no esté operativo. Tampoco deberá abrir el escáner para examinar el aparato. El hacerlo puede conllevar una exposición peligrosa a la luz de láser. El uso de instrumentos ópticos con el equipo láser puede incrementar el riesgo para la vista.

Attention

L'emploi de commandes, réglages ou procédés autres que ceux décrits ici peut entraîner de graves irradiations. Le client ne doit en aucun cas essayer d'entretenir lui-même le scanner ou le laser. Ne regardez jamais directement le rayon laser, même si vous croyez que le scanner est inactif. N'ouvrez jamais le scanner pour regarder dans l'appareil. Ce faisant, vous vous exposez à une rayonnement laser qui est dangereux. L'emploi d'appareils optiques avec cet équipement laser augmente le risque d'endommagement de la vision.

Achtung

Die Verwendung anderer als der hier beschriebenen Steuerungen, Einstellungen oder Verfahren kann eine gefährliche Laserstrahlung hervorrufen. Der Kunde sollte unter keinen Umständen versuchen, den Laser-Scanner selbst zu warten. Sehen Sie niemals in den Laserstrahl, selbst wenn Sie glauben, daß der Scanner nicht aktiv ist. Öffnen Sie niemals den Scanner, um in das Gerät hineinzusehen. Wenn Sie dies tun, können Sie sich einer gefährlichen Laserstrahlung aussetzen. Der Einsatz optischer Geräte mit dieser Laserausüstung erhöht das Risiko einer Sehschädigung.

Attenzione

L'utilizzo di sistemi di controllo, di regolazioni o di procedimenti diversi da quelli descritti nel presente Manuale può provocare delle esposizioni a raggi laser rischiose. Il cliente non deve assolutamente tentare di riparare egli stesso lo scanner laser. Non guardate mai il raggio laser, anche se credete che lo scanner non sia attivo. Non aprite mai lo scanner per guardare dentro l'apparecchio. Facendolo potete esporvi ad una esposizione laser rischiosa. L'uso di apparecchi ottici, equipaggiati con raggi laser, aumenta il rischio di danni alla vista..

EMC

Emissions

FCC Part 15, ICES-003, CISPR 22, EN 55022

Immunity

CISPR 24, EN 55024

NOTE: Immunity performance is not guaranteed for scanner cables greater than 3 meters in length when fully extended.

Changes or modifications not expressly approved by the party responsible for compliance could void the user's authority to operate the equipment.

Class A Devices

The following is applicable when the scanner cable is greater in length than 3 meters (9.8 feet) when fully extended:

Les instructions ci-dessous s'appliquent aux cables de scanner dépassant 3 mètres (9.8 pieds) de long en extension maximale:

Folgendes trifft zu, wenn das Scannerkabel länger als 3 Meter ist:

This equipment has been tested and found to comply with limits for a Class A digital device, pursuant to part 15 of the FCC Rules. These limits are designed to provide reasonable protection against harmful interference when the equipment is operated in a commercial environment. This equipment generates, uses and can radiate radio frequency energy and, if not installed and used in accordance with the instruction manual, may cause harmful interference to radio communications. Operation of this equipment in a residential area is likely to cause harmful interference, in which case the user will be required to correct the interference at their own expense. Any unauthorized changes or modifications to this equipment could void the user's authority to operate this device.

This device complies with part 15 of the FCC Rules. Operation is subject to the following two conditions: (1) This device may not cause harmful interference, and (2) this device must accept any interference received, including interference that may cause undesired operation.

Notice

This Class A digital apparatus complies with Canadian ICES-003.

Remarque

Cet appareil numérique de classe A est conforme à la norme canadienne NMB-003.

European Standard

Warning

This is a class A product. In a domestic environment this product may cause radio interference in which case the user may be required to take adequate measures.

Funkstöreigenschaften nach EN55022:1998

Warnung!

Dies ist eine Einrichtung der Klasse A. Diese Einrichtung kann im Wohnbereich Funkstörungen verursachen. In diesem Fall kann vom Betreiber verlangt werden, angemessene Massnahmen durchzuführen.

EMC

Changes or modifications not expressly approved by the party responsible for compliance could void the user's authority to operate the equipment.

Standard Europeo

Attenzione

Questo e' un prodotto di classe A. Se usato in vicinanza di residenze private potrebbe causare interferenze radio che potrebbero richiedere all'utilizzatore opportune misure.

Attention

Ce produit est de classe "A". Dans un environnement domestique, ce produit peut être la cause d'interférences radio. Dans ce cas l'utilisateur peut être amené à prendre les mesures adéquates.

Class B Devices

The following is applicable when the scanner cable is less than 3 meters (9.8 feet) in length when fully extended:

Les instructions ci-dessous s'appliquent aux cables de scanner ne dépassant pas 3 mètres (9.8 pieds) de long en extension maximale:

Folgendes trifft zu, wenn das Scannerkabel kürzer als 3 Meter ist:

This device complies with Part 15 of the FCC Rules. Operation is subject to the following two conditions: (1) This device may not cause harmful interference, and (2) this device must accept any interference received, including interference that may cause undesired operation.

This equipment has been tested and found to comply with the limits for a Class B digital device, pursuant to Part 15 of the FCC rules. These limits are designed to provide reasonable protection against harmful interference in a residential installation. This equipment generates, uses and can radiate radio frequency energy and, if not installed and used in accordance with the instructions, may cause harmful interference to radio communications. However, there is no guarantee that interference will not occur in a particular installation. If this equipment does cause harmful interference to radio or television reception, which can be determined by turning the equipment off and on, the user is encouraged to try to correct the interference by one or more of the following measures:

- Reorient or relocate the receiving antenna
- Increase the separation between the equipment and receiver
- Connect the equipment into an outlet on a circuit different from that to which the receiver is connected
- Consult the dealer or an experienced radio/TV technician for help

Notice

This Class B digital apparatus complies with Canadian ICES-003.

Remarque

Cet appareil numérique de classe B est conforme à la norme canadienne NMB-003.

LIMITED WARRANTY

The IS3480 QuantumE[®] scanners are manufactured by Metrologic at its Suzhou, China facility. The IS3480 QuantumE[®] scanners have a two (2) year limited warranty from the date of manufacture. Metrologic warrants and represents that all IS3480 QuantumE[®] scanners are free of all defects in material, workmanship and design, and have been produced and labeled in compliance with all applicable U.S. Federal, state and local laws, regulations and ordinances pertaining to their production and labeling.

This warranty is limited to repair, replacement of product or refund of product price at the sole discretion of Metrologic. Faulty equipment must be returned to one of the following Metrologic repair facilities: Blackwood, New Jersey, USA; Madrid, Spain; or Suzhou, China. To do this, contact the appropriate Metrologic Customer Service/Repair Department to obtain a Returned Material Authorization (RMA) number.

In the event that it is determined the equipment failure is covered under this warranty, Metrologic shall, at its sole option, repair the Product or replace the Product with a functionally equivalent unit and return such repaired or replaced Product without charge for service or return freight, whether distributor, dealer/reseller, or retail consumer, or refund an amount equal to the original purchase price.

This limited warranty does not extend to any Product, which in the sole judgment of Metrologic, has been subjected to abuse, misuse, neglect, improper installation, or accident, nor any damage due to use or misuse produced from integration of the Product into any mechanical, electrical or computer system. The warranty is void if: (i) the case of the Product is opened by anyone other than Metrologic's repair department or authorized repair centers; or (ii) any software is installed on the Product other than a software program approved by Metrologic.

THIS LIMITED WARRANTY, EXCEPT AS TO TITLE, IS IN LIEU OF ALL OTHER WARRANTIES OR GUARANTEES, EITHER EXPRESS OR IMPLIED, AND SPECIFICALLY EXCLUDES, WITHOUT LIMITATION, WARRANTIES OF MERCHANTABILITY AND FITNESS FOR A PARTICULAR PURPOSE UNDER THE UNIFORM COMMERCIAL CODE, OR ARISING OUT OF CUSTOM OR CONDUCT. THE RIGHTS AND REMEDIES PROVIDED HEREIN ARE EXCLUSIVE AND IN LIEU OF ANY OTHER RIGHTS OR REMEDIES. IN NO EVENT SHALL METROLOGIC BE LIABLE FOR ANY INDIRECT OR CONSEQUENTIAL DAMAGES, INCIDENTAL DAMAGES, DAMAGES TO PERSON OR PROPERTY, OR EFFECT ON BUSINESS OR PROPERTY, OR OTHER DAMAGES OR EXPENSES DUE DIRECTLY OR INDIRECTLY TO THE PRODUCT, EXCEPT AS STATED IN THIS WARRANTY. IN NO EVENT SHALL ANY LIABILITY OF METROLOGIC EXCEED THE ACTUAL AMOUNT PAID TO METROLOGIC FOR THE PRODUCT. METROLOGIC RESERVES THE RIGHT TO MAKE ANY CHANGES TO THE PRODUCT DESCRIBED HEREIN.

NORTH AMERICA

Metrologic Instruments, Inc.

90 Coles Rd.
Blackwood, NJ 08012-4683
Customer Service Department
Tel: 1-800-ID-METRO
Fax: 856-228-6673
Email: info@metrologic.com

METROLOGIC EUROPEAN REPAIR CENTER (MERC)

Metrologic Eria Ibérica, SL
C/Alfonso Gomez, 38-40, 1D
28037 Madrid
Tel: +34 913 751 249
Fax: +34 913 270 437

MTLG AUTO ID INSTRUMENTS (SHANGHAI) Co., LTD

Suzhou Sales Office

BLK A, Room# 03/03-04
No.5 Xinghan Street, Xinsu Industrial Square
China-Singapore Suahou Industrial Park, Suzhou, PRC
Tel: 86-512-67622550
Fax: 86-512-67622560
Email: info@cn.metrologic.com

PATENTS

Patent Information

This METROLOGIC product may be covered by, but not limited to, one or more of the following U.S. Patents:

U.S. Patent No.;

5,216,232; 5,260,553; 5,340,971; 5,424,525; 5,484,992; 5,525,789;
5,528,024; 5,557,093; 5,616,908; 5,627,359; 5,637,852; 5,661,292;
5,777,315; 5,789,730; 5,789,731; 5,811,780; 5,828,048; 5,844,227;
5,925,870; 6,029,894; 6,098,885; 6,209,789; 6,257,492; 6,286,760;
6,299,067; 6,347,743; 6,412,696; 6,460,767; 6,604,684; 6,619,549;
6,857,572; 6,860,427; 6,863,217; 6,905,071; 6,975,456; 6,976,632;
7,017,813; 7,021,547; 7,044,383; 7,044,383; 7,097,105; 7,156,310;
7,252,238; 7,383,997;

No license right or sublicense is granted, either expressly or by implication, estoppel, or otherwise, under any METROLOGIC or third party intellectual property rights (whether or not such third party rights are licensed to METROLOGIC), including any third party patent listed above, except for an implied license only for the normal intended use of the specific equipment, circuits, and devices represented by or contained in the METROLOGIC products that are physically transferred to the user, and only to the extent of METROLOGIC'S license rights and subject to any conditions, covenants and restrictions therein.

Other worldwide patents pending.

INDEX

A

AC 2, 6–10
Accessories 2, 3
Adapter 8
Audible Indicator.. 12, 18–20, 26–28

B

Bar Code 18–20, 26–28, 29
Bar Width..... 29
Beep..... 18, 19, 20, 26–28
Blue LED 18–20, 26–28
Button..... 4, 12–17, 37

C

Cable
 Communication... 2, 6–10, 26–28,
 41–42
 Keyboard Wedge 41–42
 Pin Assignments 41–42
 PowerLink 2, 4, 6–10, 41–42
 Troubleshooting 26–28
 USB 41–42
Caution 5, 6–10, 43
Class 45
CodeGate 1, 12–17
Communication 19, 26–28, 31
 Parameters 32–36
Compliance 6–10, 43, 44
Components 2, 4
Configuration 18, 20
 Default 32–36
Current 30
Customer Service 46

D

DC 2, 30
Default Settings ... 12, 13, 31, 32–36
Depth of Field
 Normal 21, 23, 29, 36
 Reduced 22, 23, 24, 29, 36

E

EMC 44
EMI 44
Emissions 44

F

Failure
 Modes..... 20
Firmware 37
Flash ROM..... 1, 37

H

Host 26–28

I

IBM 7
Immunity 44
Indicator
 Audible .. 4, 12, 18–20, 26–28, 29
 Failure 20
 Visual 4, 18–20, 26–28, 29
Interface 29
 Keyboard Wedge. 1, 8, 28, 32–36
 Laser Emulation .. 1, 6, 11, 32–36
 Light Pen 1, 6, 32–36
 OCIA 1, 7, 32–36
 RS232 1, 6, 28, 32–36
 RS232 TTL 1, 6, 31
 RS485 1, 7, 32–36
 Stand-Alone Keyboard 1, 9
 Troubleshooting..... 26–28
 USB 1, 10, 11, 32–36
IR Activation Range 25

K

Keyboard Country Type 31
Keyboard Type..... 31
Keyboard Wedge 8, 28, 32–36

L

Label
 Caution 5
 Serial Number 5
Laser 43
Laser Aperture 4
Laser Emulation 6, 11, 32–36
LED 18–20
Light Pen..... 6, 32–36
Light Source..... 29

INDEX

M

Maintenance.....	3
Manual.....	2, 18, 31
Mode of Operation	
Button.....	17
Primary.....	12–17
Secondary.....	12–17
Sweet Spot Mode.....	17, 36
Motor Speed.....	29
Mounting Specifications.....	5

N

Notices.....	45
--------------	----

O

OCIA.....	7, 32–36
Omnidirectional.....	12–17
Operation.....	45

P

Patents.....	47
PC.....	31, 42
Pin Assignments	
Cable.....	41–42
Scanner.....	38–39
Port.....	6–10, 26–28
Power.....	2, 6–10
PowerLink.....	6–10
Property.....	47
Protocol.....	31

R

Raster.....	12–17
Razzberry Tone.....	18–20
Read Rate.....	17
Repair.....	20
Replacement Parts.....	3
RMA.....	46
RS232.....	6, 28, 32–36
RS232 TTL.....	6, 31
RS485.....	32–36
Rubber Utility Seal.....	3, 4

S

Safety.....	43, 45
Scan Lines.....	29
Scan Pattern.....	1, 29
Horizontal Raster.....	12
Omnidirectional.....	12–17
Primary.....	12–17
Secondary.....	12–17
Single-Line.....	12–17
Scan Speed.....	29
SELV.....	6–10
Single-Line.....	12–17
Specification	
Electrical.....	30
Environmental.....	30
Mechanical.....	30
Operational.....	29
Stand-Alone Keyboard.....	9
Storage.....	30
Sweet Spot Mode.....	17, 36

T

Tone.....	1, 18
Transformer.....	2, 30
Troubleshooting.....	26–28

U

USB.....	10, 32–36
Utility Connector.....	4, 40

V

Ventilation.....	30
Visual Indicator.....	18–20, 26–28
Blue LED.....	4, 18–20, 26–28
White LED.....	4, 18–20, 26–28
Yellow LED.....	4, 18–20, 26–28
Voltage.....	6–10, 30
Volume.....	18

W

Warranty.....	46
Weight.....	30
White LED.....	18–20, 26–28
Window.....	4

Metrologic Instruments, Inc.

90 Coles Rd. Blackwood, NJ 08012-4683 • Email: info@metrologic.com

CUSTOMER SERVICE TEL: 1-800-ID-METRO • Corporate Tel: 856-228-8100

Fax: 856-228-6673 (Sales) • 856-228-1879 (Marketing) • Fax: 856-228-0653 (Legal/Finance)

METROLOGIC - THE AMERICAS

USA

Metrologic USA

Tel: 1.856.537.6400

Fax: 1.856.537.6474

Email: info@us.metrologic.com

Mexico

Metrologic Mexico, S.A. DE C.V.

Tel: 55.5365.6247

Fax: 55.5362.2544

Email: info@mx.metrologic.com

South America

Metrologic do Brasil Ltda.

Tel: 52.55.11.5182.7273

Fax: 52.55.11.5182.7198

Email: info@sa.metrologic.com

South America

Metrologic South America

Tel: 1.239.642.1958

Fax: 1.239.642.1959

Email: info@sa.metrologic.com

OMNIPLANAR

USA

Tel: 856.374.5550

Fax: 856.374.5576

Email: info@omniplanar.com

NOVODISPLAY

USA

Tel: 856.537.6139

Fax: 856.537.6116

Email: info@NOVODisplay.com

METROLOGIC - EMEA

Central Europe

Metrologic Instruments GmbH

Tel: 49-89-89019-0

Fax: 49-89-89019-200

Email: info@de.metrologic.com

France

Metrologic Eria France SA

Tel: +33 (0) 1 48.63.78.78

Fax: +33 (0) 1 48.63.24.94

Email: info@fr.metrologic.com

METROLOGIC - EMEA

Spain

Metrologic Eria Iberica, SL

Tel: +34 913 272 400

Fax: +34 913 273 829

Email: info@es.metrologic.com

Russia

Metrologic Instruments LLC

Tel: +7 (495) 737 7273

Fax: +7 (495) 737 7271

Email: info@ru.metrologic.com

Italy

Metrologic Instruments Italia

Tel: +39 0 57 6511978 or

+39 051 651 1978

Fax: +39 0 51 6521337

Email: info@it.metrologic.com

Poland

Metrologic Instruments

Poland

Tel: +48 (22) 545 04 30

Fax: +48 (22) 545 04 31

Email: info@pl.metrologic.com

United Kingdom

Metrologic Instruments

UK Limited

Tel: +44 (0) 1256 365900

Fax: +44 (0) 1256 365955

Email: info@uk.metrologic.com

METROLOGIC - APAC

Asia

Metrologic Asia (Pte) Ltd

Tel : (65) 6842-7155

Fax : (65) 6842-7166

Email: info@sg.metrologic.com

China

Suzhou Sales Office

Tel: 86-512-67622550

Fax: 86-512-67622560

Email: info@cn.metrologic.com

China

Beijing Sales Office

Tel/Fax: 86 10 82253472

Email: info@cn.metrologic.com

METROLOGIC - APAC

China

Chengdu Sales Office

Tel/Fax: 86 28 86200109

Email: info@cn.metrologic.com

China

Guangzhou Sales Office

Tel: 86-20-38823476

Fax: 86-20-38823477

Email: info@cn.metrologic.com

India

India Sales Office

Tel: +91 80 41256718

Fax: +91 80 41256719

Email: info@in.metrologic.com

Korea

Korea Sales Office

Tel: 82-2-6205-5379

Fax: 82-2-3444-3980

Email:

Scott.lee@kr.metrologic.com

Japan

Metrologic Japan Co., Ltd.

Tel: 81-3-3839-8511

Fax: 81-3-3839-8519

Email: info@jp.metrologic.com

Thailand

Metrologic Thailand

Tel: +662-610-3787

Fax: +662-610-3601

Email:

tawan.jandang@th.metrologic.com

China

Shanghai

Tel: 86-21-58356616

Fax: 86-21-58358873

Email: info@cn.metrologic.com

Australia

Metrologic Australia

Tel: 61 2 9652 2726

(international)

Tel: 02 9816 6470 (local)

Tel: 1 800 99 88 38 (Australia)

Email:

kmason@au.metrologic.com

October 2008



00 - 02026G